

Toggle Switches

Sub-Miniature

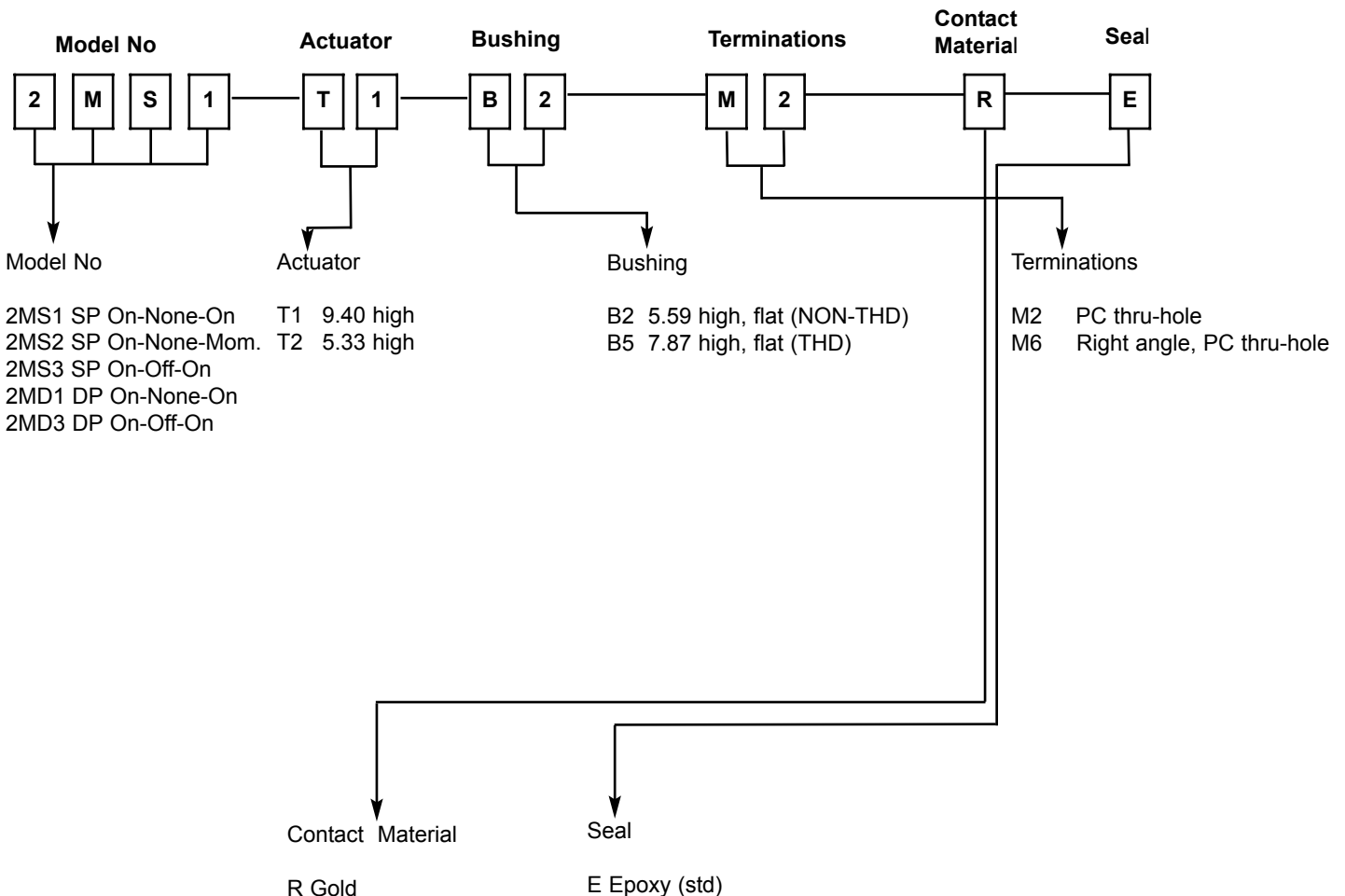


Specifications:

Contact rating	: Dependent upon contact material.
Mechanical life	: 30,000 make and break cycles.
Maximum contact resistance	: 20 mΩ initial at 2-4 V dc 100 mA for both silver and gold plated contacts.
Minimum insulation resistance	: 1,000 MΩ.
Dielectric strength	: 1,000 V rms at sea level.
Operating temperature	: -30°C to 85°C.

Materials:

Case	: Diallyl phthalate (DAP).
Actuator	: Brass, chrome plated.
Bushing	: Brass, nickel plated.
Housing	: Stainless steel.
Switch support	: Brass, tin plated.
Terminal / contact	: Silver or gold plated.



Toggle Switches



Sub-Miniature

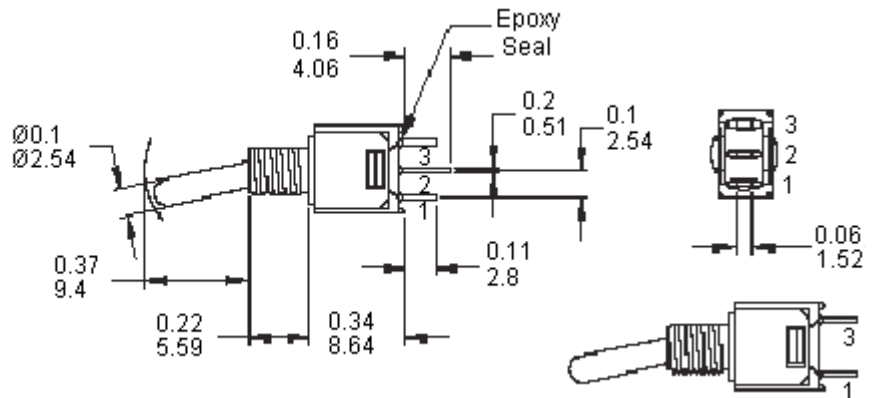
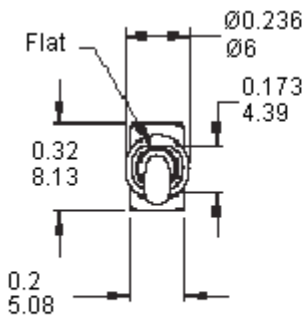
Switch Function

Number of Poles	UL / CSA Model Number	Model Number	Switch Function			Connected Terminals / Schematic		
			Position 1	Position 2	Position 3	Position 1	Position 2	Position 3
SP	Q2211	2MS1	On	None	ON	2 to 3	N/A	2 to 1
	Q2212	2MS2			MOM	2 (Comm)		2 (Comm)
	Q2213	2MS3			Off	1* 3		1* 3
DP	Q2221	2MD1	On	None	ON	2 to 3, 5 to 6	N/A	2 to 1, 5 to 4
	Q2223	2MD3			Off	1* 3 2 (Comm) 5* 6		1* 3 2 (Comm) 5* 6

MOM = Momentary

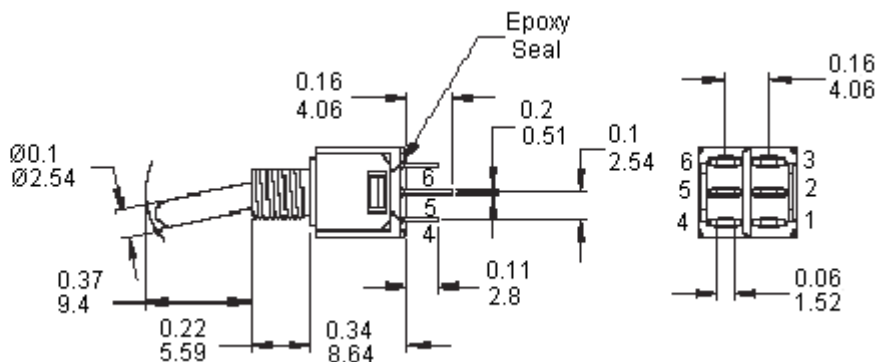
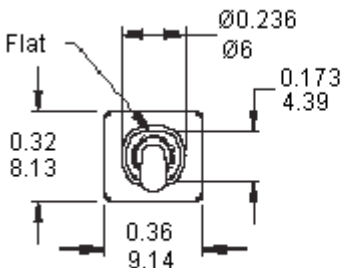
Pole Options

SPDT



2MS6 Models : Omit 2nd terminal

DPDT

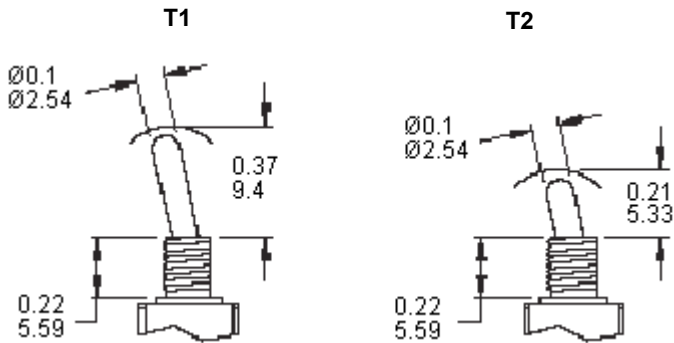


Toggle Switches



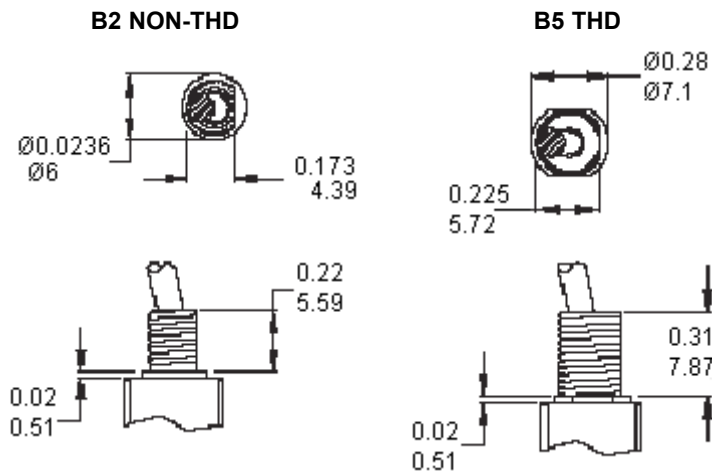
Sub-Miniature

Actuator Options

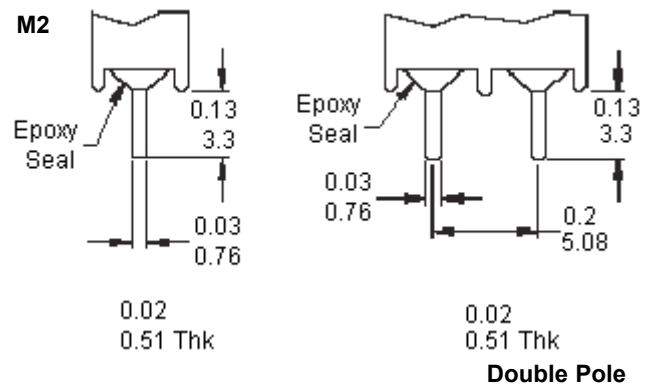


T1, T2, Actuator shown with B2 bushing, subtract 0.09 (2.29) for B5 bushing, subtract 0.04 (1.02) for B5 bushing, add 0.09 (2.29) Std for M2 terminal sub 0.016 (0.04) for M2 terminals sub. 016 (0.04) for M6.

Bushing Options



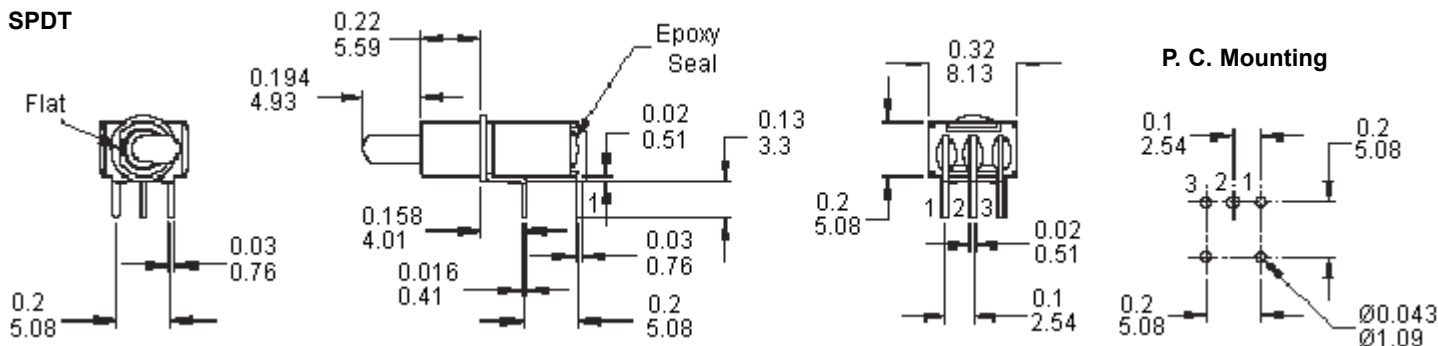
Termination Options



M6, SPDT



SPDT



Toggle Switches

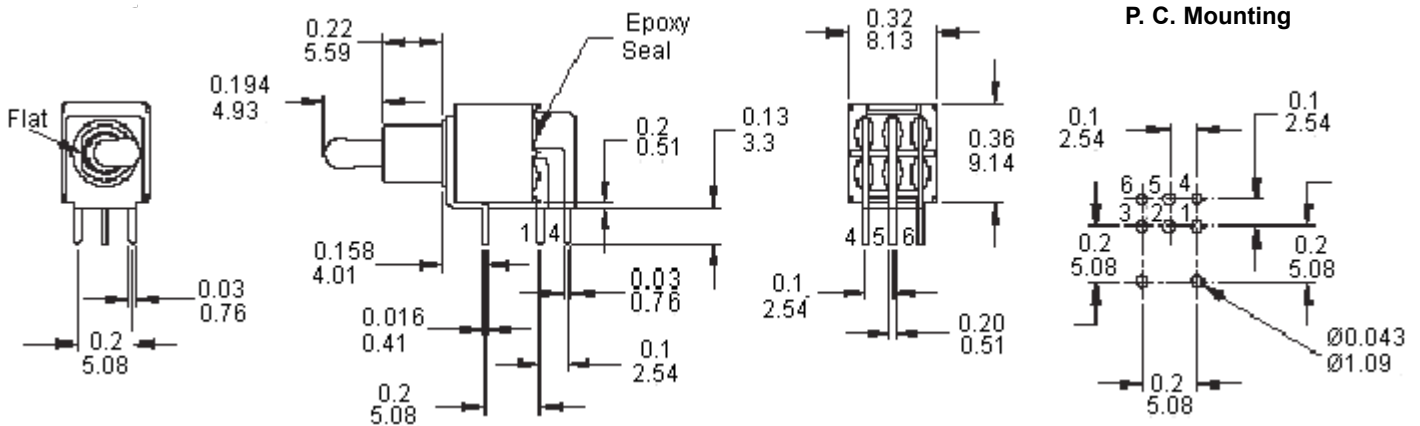


Sub-Miniature

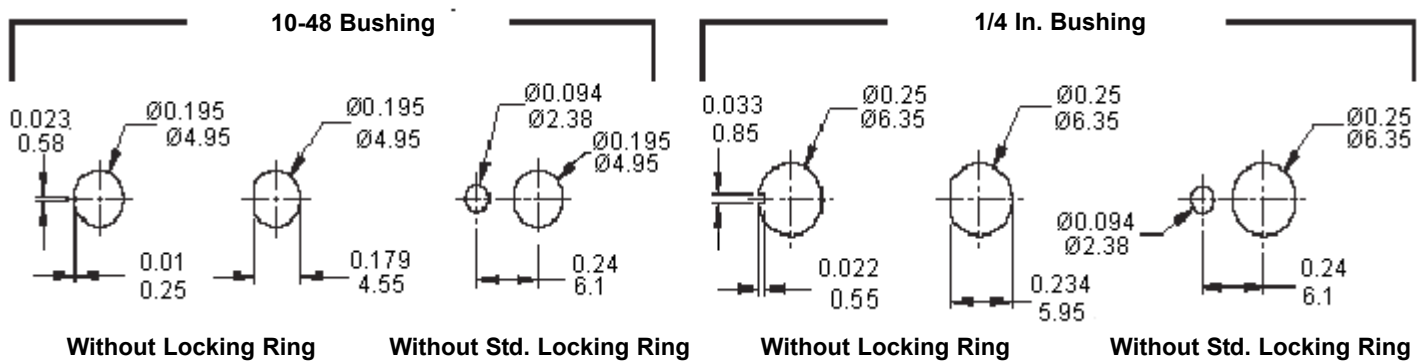
M6, DPDT



DPDT



Panel Mounting



Hardware

