

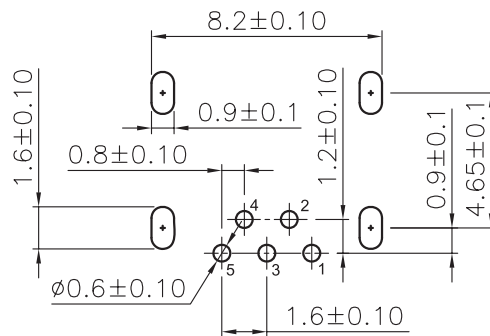
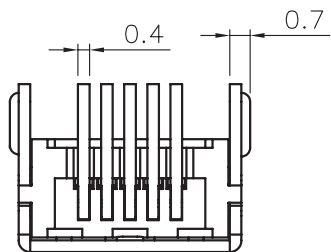
1

2

3

4

5



RECOMMENDED PCB LAYOUT
RECOMMENDED PCB THICKNESS : 1.6 mm

TECHNICAL CHARACTERISTICS

MATERIAL
INSULATOR: PBT
FLAMABILITY RATING: UL94-V0
COLOR: BLACK
CONTACT MATERIAL: COPPER ALLOYS
CONTACT TYPE: STAMPED
CONTACT PLATING: SELECTIVE GOLD
SHIELDING: BRASS WITH Ni PLATING
QUALITY CLASS: 1500 MATING CYCLES

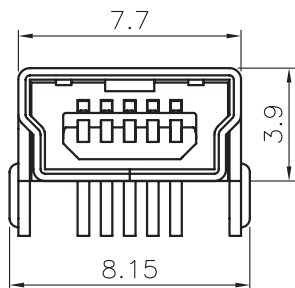
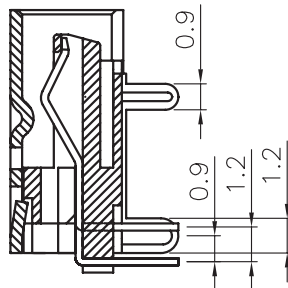
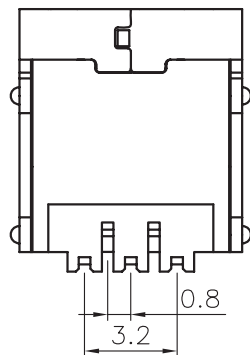
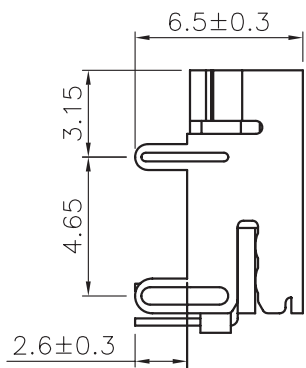
ENVIRONMENTAL
OPERATING TEMPERATURE: -40 UP TO 105°C
COMPLIANCE: LEAD FREE AND ROHS

ELECTRICAL
CURRENT RATING: 1.0 A max
WORKING VOLTAGE: 30 VAC
INSULATOR RESISTANCE: >1000 MOHM
DIELECTRIC WITHSTANDING VOLTAGE: 750 VAC/MN
CONTACT RESISTANCE: 20 mOHM MAX

STANDARD
UL CERTIFIED: E323964

SOLDERING
JEDEC LEAD FREE WAVE SOLDERING PROCESS

PACKAGING
TUBE



RoHS Compliant

| | | | |
|-----|-----------|----------------|----|
| L | 26-NOV-15 | PACKAGING | AK |
| K | 09-AVR-15 | PCB THICKNESS | QP |
| J | 18-FEB-13 | DESIGNATION | AR |
| I | 08-NOV-11 | CURRENT RATING | GG |
| H | 22-JUN-11 | CURRENT RATING | GG |
| REV | DATE | FILE | BY |

PROJECTION:



APPROVAL: NPr

GENERAL TOLERANCE

.X = +/- 0.2
.XX = +/- 0.15



UNIT: MM

SCALE:

SHEET: 1/2

DRAW: DXS

DESCRIPTION: MINI USB 2.0 TYPE B 5 CONTACTS

WERI PART NO: 651 005 136 521

SIZE

A4

A

B

C

D

1

2

3

4

5

Cautions and Warnings:

This electronic component is designed and developed with the intention for use in general electronics equipments.

Before incorporating the components into any equipments in the field such as aerospace, aviation, nuclear control, submarine, transportation, (automotive control, train control, ship control), transportation signal, disaster prevention, medical, public information network etc. where higher safety and reliability are especially required or if there is possibility of direct damage or injury to human body, Würth Elektronik must be asked for a written approval.

In addition, even electronic component in general electronic equipments, when used in electrical circuits that require high safety, reliability functions or performance, the sufficient reliability evaluation-check for the safety must be performed before by the user before usage.

A

B

C

RoHS Compliant

| | | | | | | | |
|-----|-----------|------|----|--|---|--|-------------------|
| G | | | | PROJECTION:  | GENERAL TOLERANCE .X = +/- 0.2 .XX = +/- 0.15 |  WÜRTH ELEKTRONIK | |
| F | | | | | | | |
| E | | | | | | | |
| D | | | | | | | |
| C | | | | APPROVAL: JC | UNIT: MM | DESCRIPTION: DISCLAIMER | SIZE A4 |
| B | | | | | SCALE: | | |
| A | 10-SEP-14 | PDF | QL | | SHEET: 2/2 | WERI PART NO: DISCLAIMER | |
| REV | DATE | FILE | BY | | DRAW: QL | | |

D