

CGA7L1C0G3F330K160KA

TDK Item Description : CGA7L1C0G3F330KT***



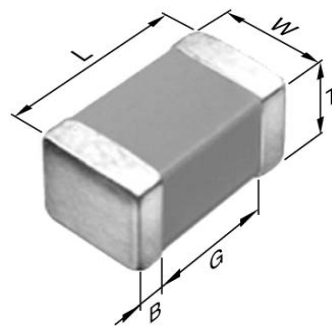
Equivalent C4520C0G3F330K for Automotive

Application & Main Feature

Automotive Grade (High Voltage (1000V and over))

Series

CGA7(4520) [EIA CC1808]



Dimensions

L 4.50mm +/-0.4mm
W 2.00mm +/-0.2mm
T 1.60mm +/-0.2mm
B 0.20mm Min.
G

Temperature Characteristic

C0G (-55 to 125 degC 0+/-30ppm/degC)

Rated Voltage

3F (3000Vdc)

Capacitance

33pF

Capacitance Tolerance

K (+/-10%)

Q Factor

1000 Min.

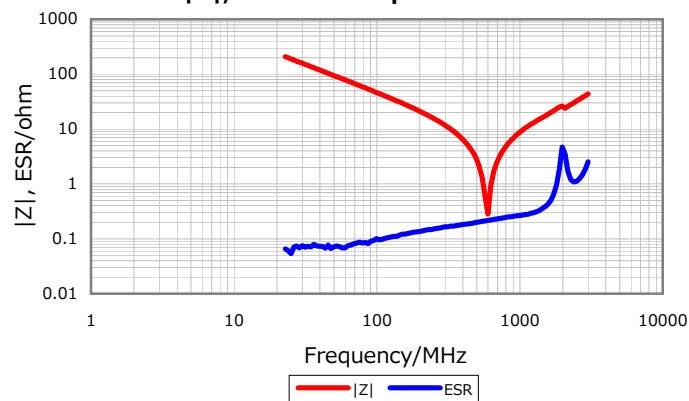
Insulation Resistance

10Gohm Min.

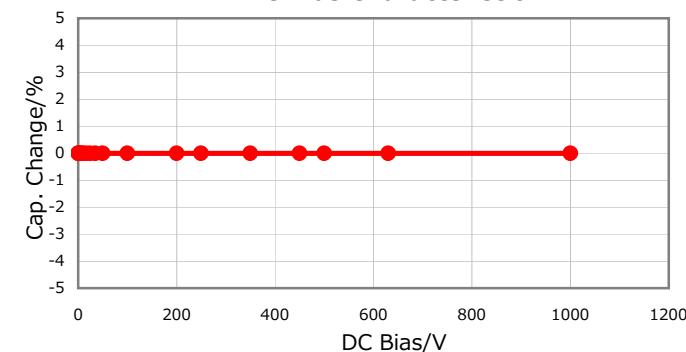
AEC-Q200

Not Applicable

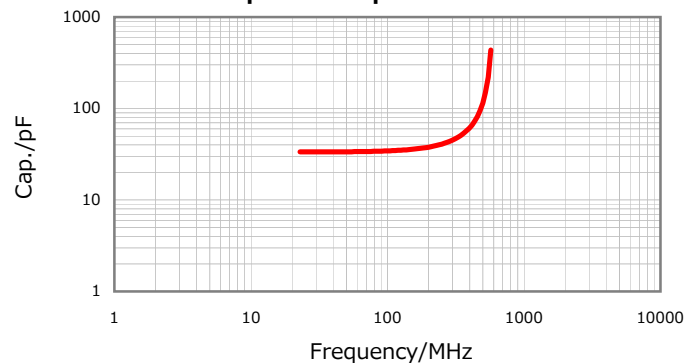
|Z|, ESR vs. Freq. Characteristics



DC Bias Characteristic



Cap. vs. Freq. Characteristic



Temperature Characteristics

