

6

5

4

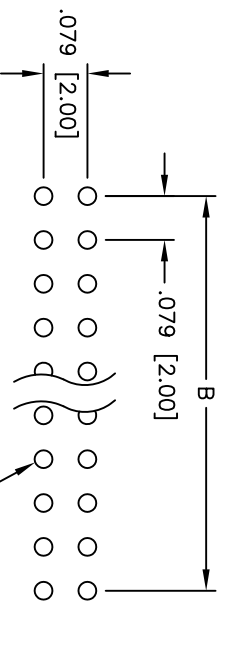
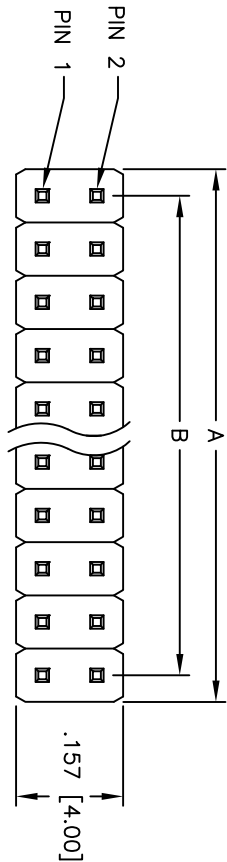
3

2

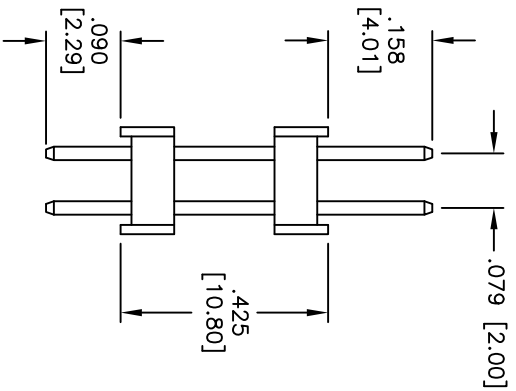
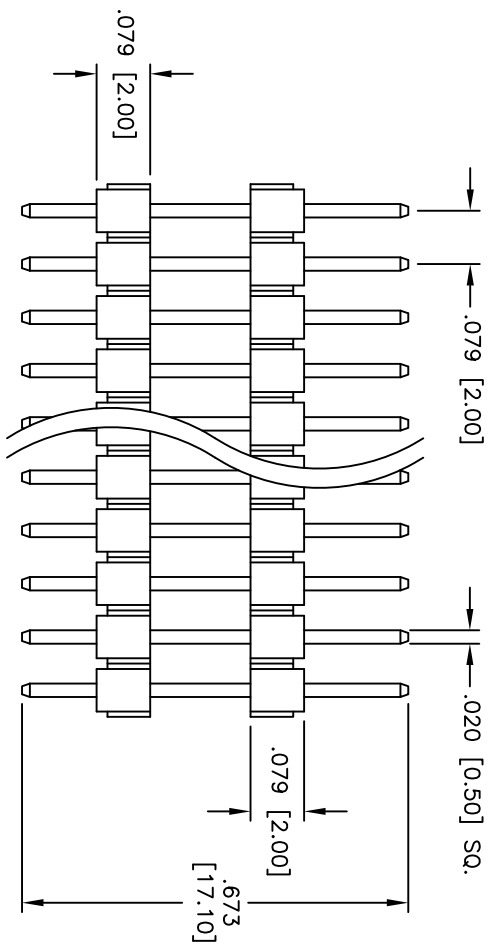
1

Rev	AWO #	Description	Date	Appr
-		RELEASED	11/16/09	

APPROVED: _____
 DATE: _____ TITLE: _____



Recommended PCB Layout



SPECIFICATIONS:

Material: PBT, glass reinforced, rated UL 94V-0
 Insulator color: Black
 Contacts: Brass
 Plating: Gold flash over Nickel underplate overall.

Electrical:
 Current rating: 1 Amps max
 Contact resistance: 20 mohms max
 Insulation resistance: 5,000 Mohms min @ 500 VDC
 Dielectric withstanding voltage: 500 VAC for 1 minute

Temperature Rating:
 Operating temperature: -40°C to +105°C
 Environmental:
 Lead free, RoHS compliant
 Recommended soldering temp: 235°C for 5 seconds

Positions: 4 thru 100
 A = .079 [2.00] x No. of Positions per Row
 B = .079 [2.00] x No. of Spaces

UNLESS OTHERWISE SPECIFIED
 ALL DIMENSIONS ARE IN INCHES [MM]
 TOLERANCES: EXCEPT AS NOTED

.X	± .10	ØX	± .10
.XX	± .020	ØXXX	± .015
.XXX	± .015	ØXXX	± .010
APPROVALS	DATE		

DRAWN	DY	11/16/09	SIZE	PART NO.	REV.
CHECKED			X	D2PH-2-XX-U-.158/.090/.425	-
APPROVED			REF:	S0039T	

ADAM TECH
 909 Rahway Avenue, Union, NJ 07083
 Phone: 908-687-5000 Fax: 908-687-5710

TITLE: .079 [2.00] DUAL ROW PIN HEADER
 DUAL INSULATOR, GOLD PLATED

SCALE: NTS SHEET 1 OF 1



6

5

4

3

2

1