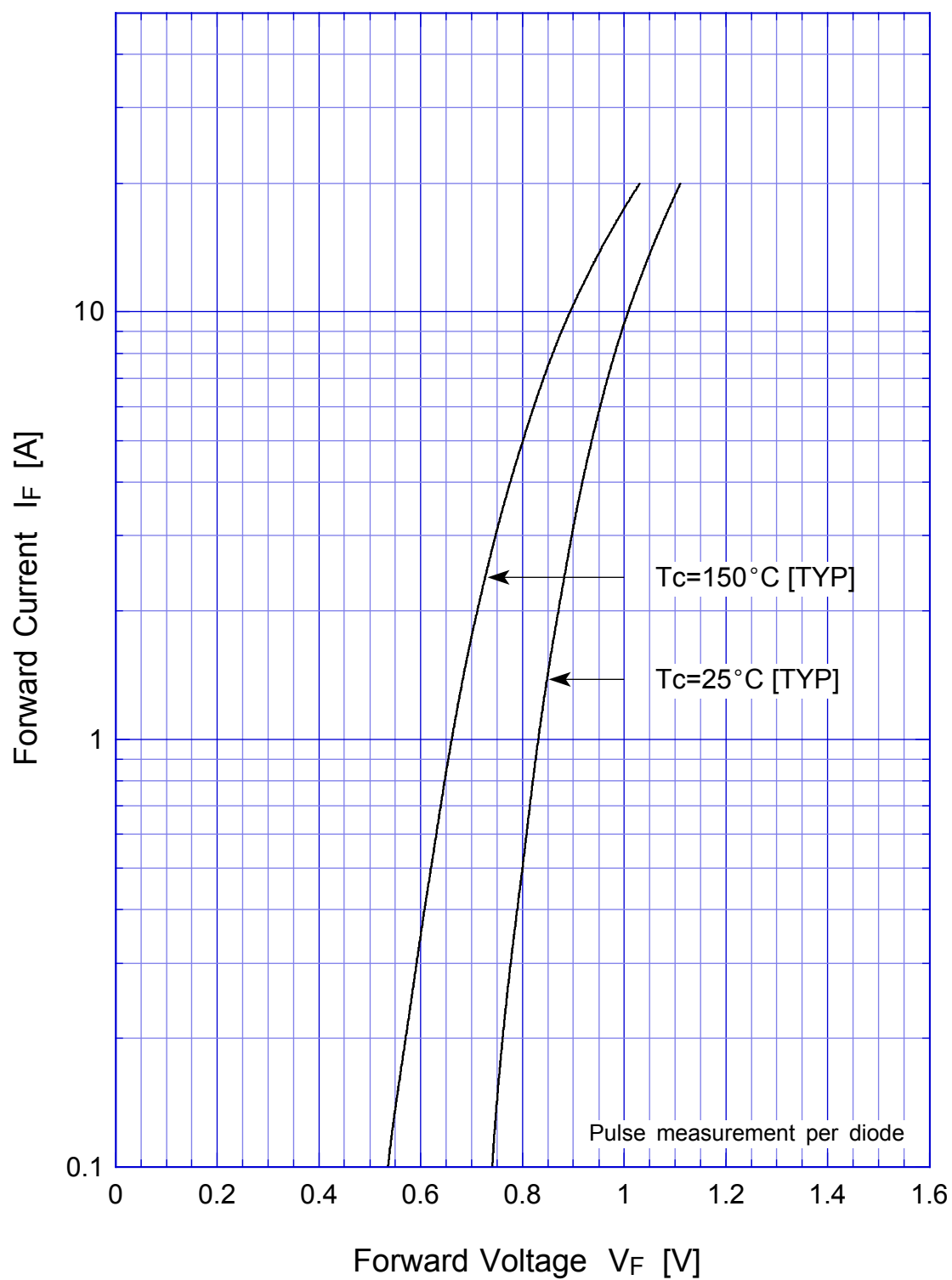




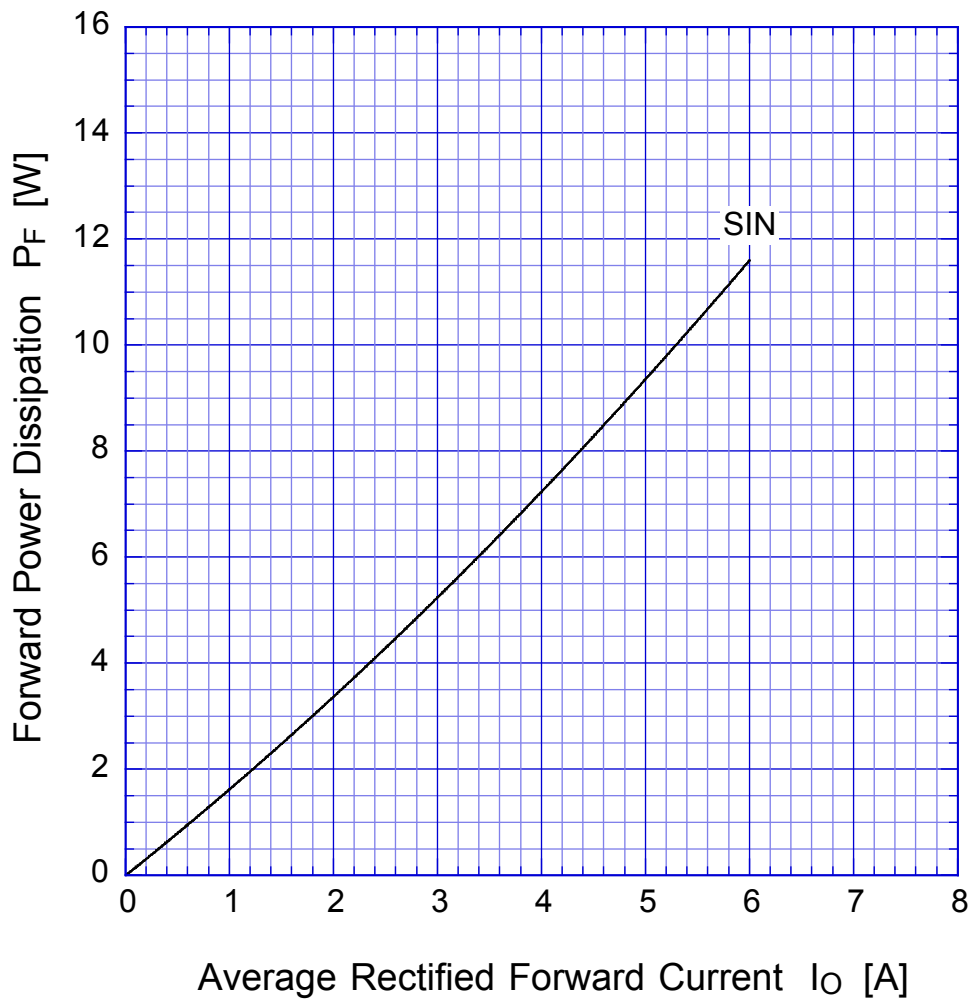
# D6SB80

## Forward Voltage



D6SB80

Forward Power Dissipation

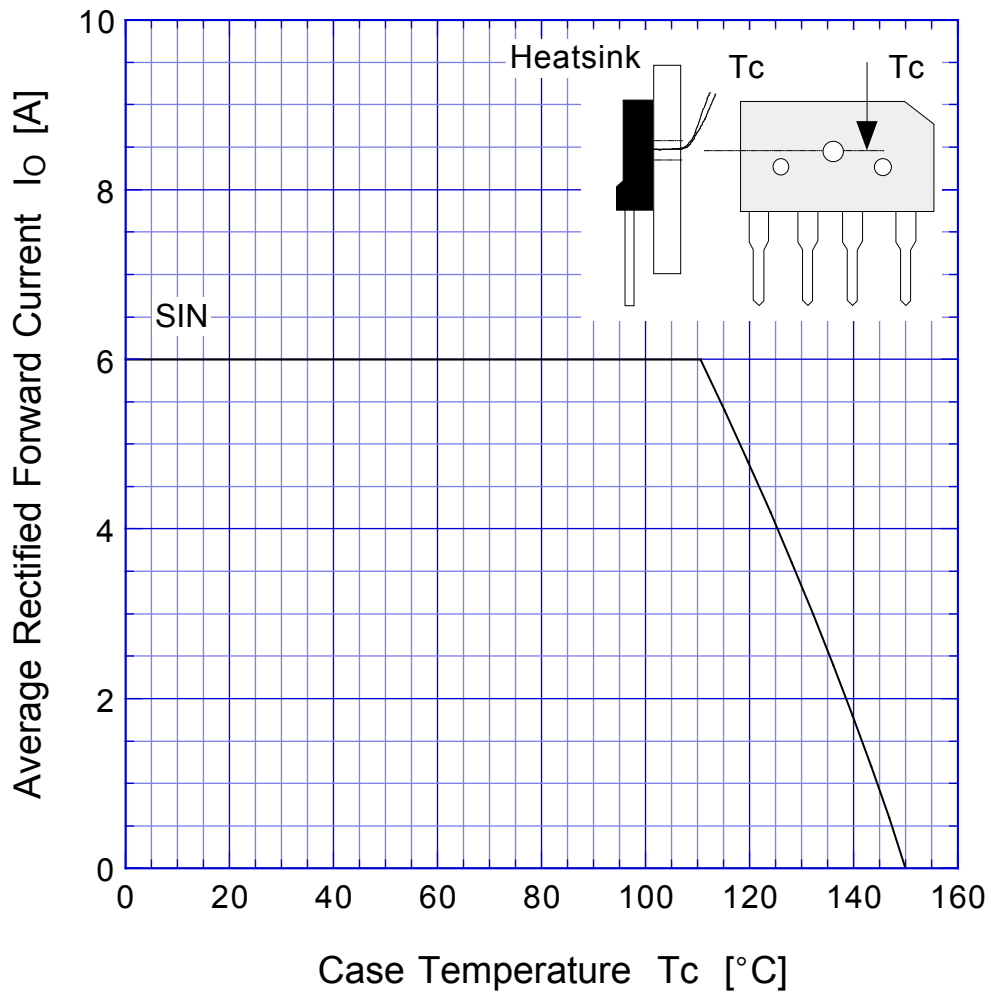


$T_j = 150^\circ\text{C}$

Sine wave

# D6SB80

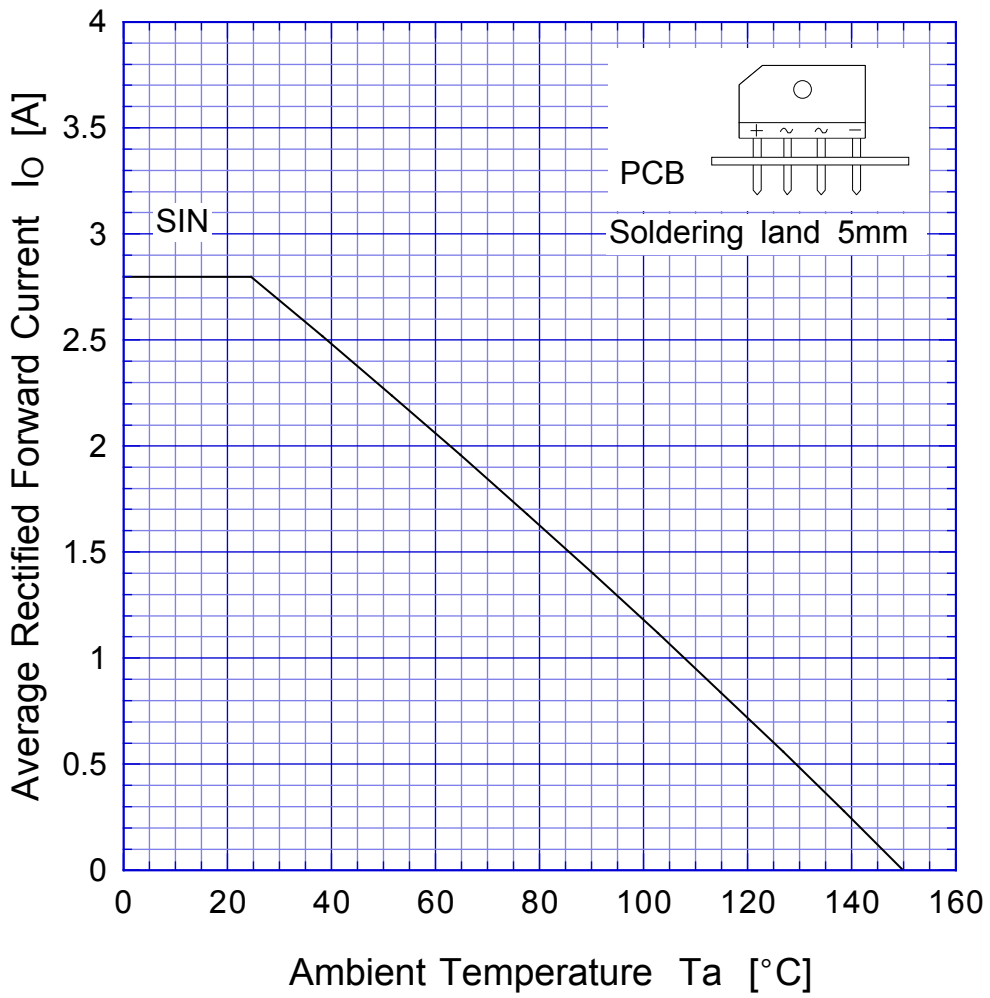
## Derating Curve



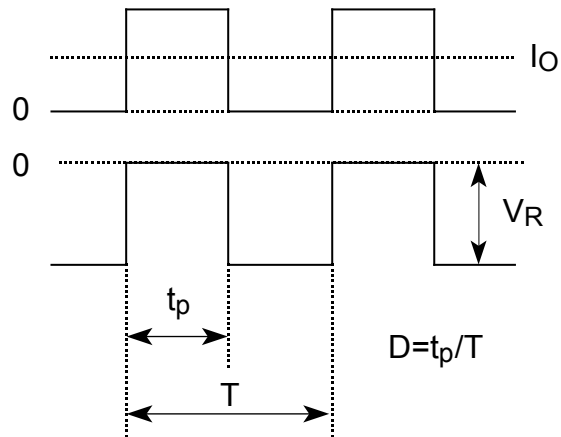
Sine wave  
R-load  
with heatsink

# D6SB80

# Derating Curve



$V_R = 600V$



# D6SB80

## Peak Surge Forward Capability

