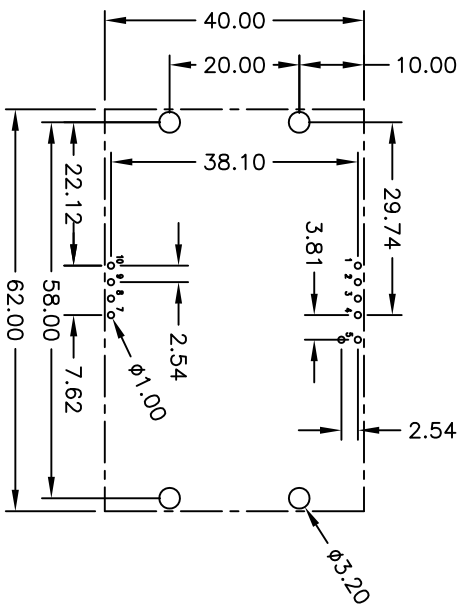
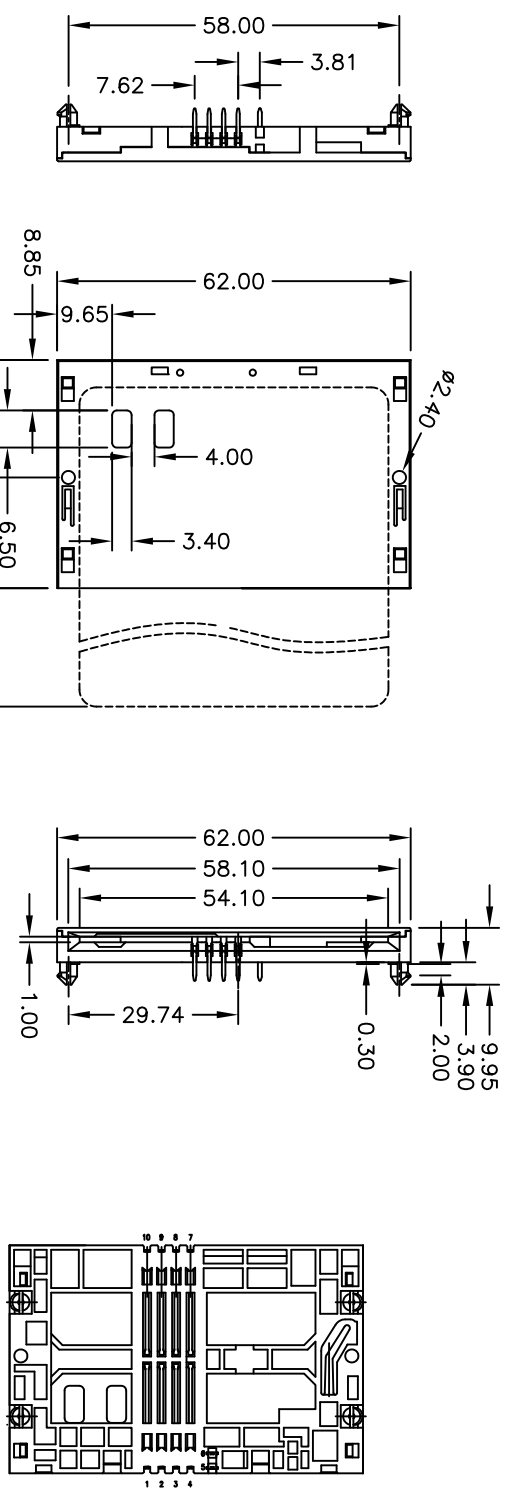


Rev	AWO #	Description	Date	Appr
-		RELEASED	5/24/10	

APPROVED: _____
 DATE: _____ TITLE: _____



SPECIFICATIONS:

Material:
 Insulator: PBT, 30% glass fiber, rated UL 94V-0
 Insulator color: Black
 Contacts: Phosphor Bronze
 Plating:
 Gold flash over Nickel underplate on contact area,
 Tin over copper underplate on tails.

Electrical:

Current rating: 1 Amp max
 Contact resistance: 100 mohms max
 Insulation resistance: 1,000 Mohms min
 Dielectric withstanding voltage: 500 VAC for 1 minute
 Temperature Rating:
 Operating temperature: -40°C to +85°C

Environmental:

Lead free, RoHS compliant
 Recommended soldering temp: 235°C for 5 seconds



UNLESS OTHERWISE SPECIFIED ALL DIMENSIONS ARE MM	
TOLERANCES: EXCEPT AS NOTED	
INCHES	HOLDS
.X ± .10	ØX ± .10
.XX ± .020	ØXX ± .015
.XXX ± .015	ØXXX ± .010
APPROVALS	DATE
DRAWN	5/24/10
CHECKED	
APPROVED	

ADAM TECH
 909 Rahway Avenue, Union, NJ 07083
 Phone: 908-687-5000 Fax: 908-687-5710

TITLE: SMART CARD SOCKET, THROUGH HOLE
 NORMAL OPEN TYPE

SIZE: X
 PART NO.: SCS-5-08-NO-SG
 REF: S00009T
 SCALE: NTS
 SHEET 1 OF 1