

4,194,304 WORD × 1 BIT DYNAMIC RAM

\* This is advanced information and specifications are subject to change without notice.

**DESCRIPTION**

The TC514100APL/AJL/ASJL/AZL is the new generation dynamic RAM organized 4,194,304 words by 1 bit. The TC514100APL/AJL/ASJL/AZL utilizes TOSHIBA's CMOS Silicon gate process technology as well as advanced circuit techniques to provide wide operating margins, both internally and to the system user. Multiplexed address inputs permit the TC514100APL/AJL/ASJL/AZL to be packaged in a standard 18 pin plastic DIP, 26/20 pin plastic SOJ (300/350mil) and 20 pin plastic ZIP. The package size provides high system bit densities and is compatible with widely available automated testing and insertion equipment. System oriented features include single power supply of  $5V \pm 10\%$  tolerance, direct interfacing capability with high performance logic families such as Schottky TTL.

**FEATURES**

- 4,194,304 word by 1bit organization
- Fast access time and cycle time

TC514100APL/AJL/ASJL/AZL - 60	
$t_{RAC}$ $\overline{RAS}$ Access Time	60ns
$t_{AA}$ Column Address Access Time	30ns
$t_{CAC}$ $\overline{CAS}$ Access Time	20ns
$t_{RC}$ Cycle Time	110ns
$t_{PC}$ Fast Page Mode Cycle Time	45ns

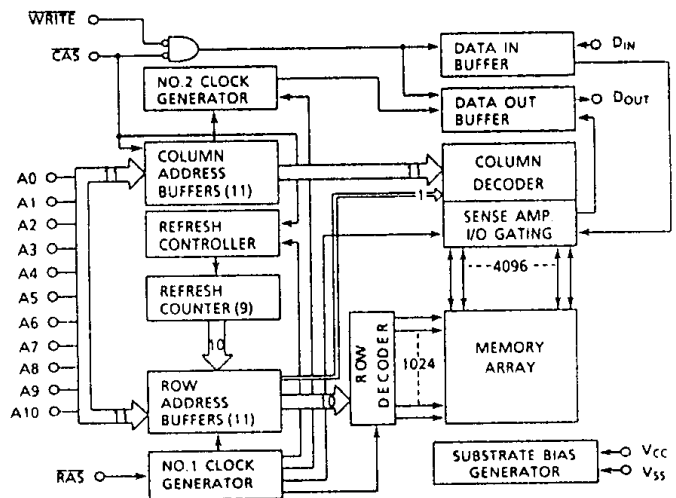
- Single power supply of  $5V \pm 10\%$  with a built-in  $V_{BB}$  generator

- Low Power  
660mW MAX. Operating  
(TC514100APL/AJL/ASJL/AZL - 60)  
1.1mW MAX. Standby
- Outputs unlatched at cycle end allows two-dimensional chip selection
- Common I/O capability using "EARLY WRITE" operation
- Read-Modify-Write,  $\overline{CAS}$  before  $\overline{RAS}$  refresh,  $\overline{RAS}$ -only refresh, Hidden refresh, Fast Page Mode and Test Mode capability
- All inputs and outputs TTL compatible
- 1024 refresh cycles/128ms
- Package TC514100APL : DIP18-P-300E  
TC514100AJL : SOJ26-P-350  
TC514100ASJL : SOJ26-P-300A  
TC514400AZL : ZIP20-P-400A

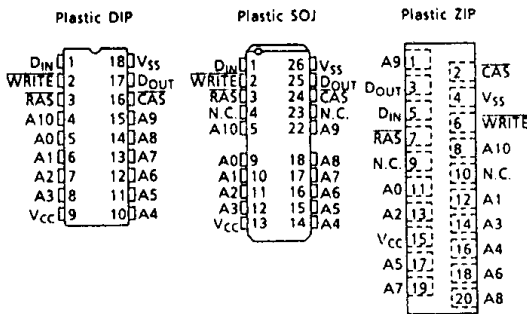
**PIN NAMES**

A0~A10	Address Inputs	WRITE	Read/Write Input
$\overline{RAS}$	Row Address Strobe	$V_{CC}$	Power (+ 5V)
$D_{IN}$	Data In	$V_{SS}$	Ground
$D_{OUT}$	Data Out	N.C.	No Connection
$\overline{CAS}$	Column Address Strobe		

**BLOCK DIAGRAM**



**PIN CONNECTION (TOP VIEW)**



# TC514100APL/AJL/ASJL/AZL-60

## ABSOLUTE MAXIMUM RATINGS

ITEM	SYMBOL	RATING	UNITS	NOTES
Input Voltage	$V_{IN}$	-1~7	V	1
Output Voltage	$V_{OUT}$	-1~7	V	1
Power Supply Voltage	$V_{CC}$	-1~7	V	1
Operating Temperature	$T_{OPR}$	0~70	°C	1
Storage Temperature	$T_{STG}$	-55~150	°C	1
Soldering Temperature · Time	$T_{SOLDER}$	260 · 10	°C · sec	1
Power Dissipation	$P_D$	700	mW	1
Short Circuit Output Current	$I_{OUT}$	50	mA	1

## RECOMMENDED DC OPERATING CONDITIONS ( $T_a = 0\sim 70^\circ\text{C}$ )

SYMBOL	PARAMETER	MIN.	TYP.	MAX.	UNIT	NOTES
$V_{CC}$	Supply Voltage	4.5	5.0	5.5	V	2
$V_{IH}$	Input High Voltage	2.4	-	6.5	V	2
$V_{IL}$	Input Low Voltage	-1.0	-	0.8	V	2

# TC514100APL/AJL/ASJL/AZL-60

## DC ELECTRICAL CHARACTERISTICS ( $V_{CC} = 5V \pm 10\%$ , $T_a = 0 \sim 70^\circ C$ )

SYMBOL	PARAMETER	MIN.	MAX.	UNITS	NOTES
$I_{CC1}$	OPERATING CURRENT Average Power Supply Operating Current ( $\overline{RAS}$ , $\overline{CAS}$ , Address Cycling: $t_{RC} = t_{RC} \text{ MIN.}$ )	TC514100APL/AJL/ASJL/AZL-60 -	120	mA	3, 4 5
$I_{CC2}$	STANDBY CURRENT Power Supply Standby Current ( $\overline{RAS} = \overline{CAS} = V_{IH}$ )	-	2	mA	
$I_{CC3}$	$\overline{RAS}$ ONLY REFRESH CURRENT Average Power Supply Current, $\overline{RAS}$ Only Mode ( $\overline{RAS}$ Cycling, $\overline{CAS} = V_{IH}$ : $t_{RC} = t_{RC} \text{ MIN.}$ )	TC514100APL/AJL/ASJL/AZL-60 -	120	mA	3, 5
$I_{CC4}$	FAST PAGE MODE CURRENT Average Power Supply Current, Fast Page Mode ( $\overline{RAS} = V_{IL}$ , $\overline{CAS}$ , Address Cycling: $t_{PC} = t_{PC} \text{ MIN.}$ )	TC514100APL/AJL/ASJL/AZL-60 -	60	mA	3, 4 5
$I_{CC5}$	STANDBY CURRENT Power Supply Standby Current ( $\overline{RAS} = \overline{CAS} = V_{CC} - 0.2V$ )	-	200	$\mu A$	
$I_{CC6}$	$\overline{CAS}$ BEFORE $\overline{RAS}$ REFRESH CURRENT Average Power Supply Current, $\overline{CAS}$ Before $\overline{RAS}$ Mode ( $\overline{RAS}$ , $\overline{CAS}$ Cycling: $t_{RC} = t_{RC} \text{ MIN.}$ )	TC514100APL/AJL/ASJL/AZL-60 -	120	mA	3, 5
$I_{CC7}$	Battery Back Up Current Average power Supply Current, Battery Back Up Mode ( $\overline{CAS} = \overline{CAS}$ Before $\overline{RAS}$ Cycling or 0.2V, $\overline{WRITE} = V_{CC} - 0.2V$ $A0 \sim 10 = V_{CC} - 0.2V$ or 0.2V, $D_{IN} = V_{CC} - 0.2V$ , 0.2V or OPEN: $t_{RC} = 125\mu s$ , $t_{RAS} = 300ns \sim 1\mu s$ )	-	400	$\mu A$	3, 6
$I_{CC7}$	Battery Back Up Current Average power Supply Current, Battery Back Up Mode ( $\overline{CAS} = \overline{CAS}$ Before $\overline{RAS}$ Cycling or 0.2V, $\overline{WRITE} = V_{CC} - 0.2V$ $A0 \sim 10 = V_{CC} - 0.2V$ or 0.2V, $D_{IN} = V_{CC} - 0.2V$ , 0.2V or OPEN: $t_{RC} = 125\mu s$ , $t_{RAS} = t_{RAS} \text{ MIN.} \sim 300ns$ )	-	300	$\mu A$	3, 6
$I_{I(L)}$	INPUT LEAKAGE CURRENT Input Leakage Current, any input ( $0V \leq V_{IN} \leq 6.5V$ , All Other Pins Not Under Test = 0V)	- 10	10	$\mu A$	
$I_{O(L)}$	OUTPUT LEAKAGE CURRENT ( $D_{OUT}$ is disabled, $0V \leq V_{OUT} \leq 5.5V$ )	- 10	10	$\mu A$	
$V_{OH}$	OUTPUT LEVEL Output "H" Level Voltage ( $I_{OUT} = -5mA$ )	2.4	-	V	
$V_{OL}$	OUTPUT LEVEL Output "L" Level Voltage ( $I_{OUT} = 4.2mA$ )	-	0.4	V	

# TC514100APL/AJL/ASJL/AZL-60

## ELECTRICAL CHARACTERISTICS AND RECOMMENDED AC OPERATING CONDITIONS

( $V_{CC} = 5V \pm 10\%$ ,  $T_a = 0 \sim 70^\circ\text{C}$ )(Notes 7, 8, 9)

SYMBOL	PARAMETER	TC514100APL/AJL/ASJL/AZL-60		UNIT	NOTES
		MIN.	MAX.		
$t_{RC}$	Random Read or Write Cycle Time	110	-	ns	
$t_{RMW}$	Read-Modify-Write Cycle Time	135	-	ns	
$t_{PC}$	Fast Page Mode Cycle Time	45	-	ns	
$t_{PRMW}$	Fast Page Mode Read-Modify-Write Cycle Time	70	-	ns	
$t_{RAC}$	Access Time from $\overline{RAS}$	-	60	ns	10, 15, 16
$t_{CAC}$	Access Time from $\overline{CAS}$	-	20	ns	10, 15
$t_{AA}$	Access Time from Column Address	-	30	ns	10, 16
$t_{CPA}$	Access Time from $\overline{CAS}$ Precharge	-	40	ns	10
$t_{CLZ}$	$\overline{CAS}$ to Output in Low-Z	0	-	ns	10
$t_{OFF}$	Output Buffer Turn-off Delay	0	20	ns	11
$t_T$	Transition Time (Rise and Fall)	3	50	ns	9
$t_{RP}$	$\overline{RAS}$ Precharge Time	40	-	ns	
$t_{RAS}$	$\overline{RAS}$ Pulse Width	60	10,000	ns	
$t_{RASP}$	$\overline{RAS}$ Pulse Width (Fast Page Mode)	60	200,000	ns	
$t_{RSH}$	$\overline{RAS}$ Hold Time	20	-	ns	
$t_{RHCP}$	$\overline{RAS}$ Hold Time From $\overline{CAS}$ Precharge (Fast Page Mode)	40	-	ns	
$t_{CSH}$	$\overline{CAS}$ Hold Time	60	-	ns	
$t_{CAS}$	$\overline{CAS}$ Pulse Width	20	10,000	ns	
$t_{RCD}$	$\overline{RAS}$ to $\overline{CAS}$ Delay Time	20	40	ns	15
$t_{RAD}$	$\overline{RAS}$ to Column Address Delay Time	15	30	ns	16
$t_{CRP}$	$\overline{CAS}$ to $\overline{RAS}$ Precharge Time	5	-	ns	
$t_{CP}$	$\overline{CAS}$ Precharge Time	10	-	ns	
$t_{ASR}$	Row Address Set-Up Time	0	-	ns	
$t_{RAH}$	Row Address Hold Time	10	-	ns	
$t_{ASC}$	Column Address Set-Up Time	0	-	ns	
$t_{CAH}$	Column Address Hold Time	15	-	ns	
$t_{RAL}$	Column Address to $\overline{RAS}$ Lead Time	30	-	ns	
$t_{RCS}$	Read Command Set-Up Time	0	-	ns	
$t_{RCH}$	Read Command Hold Time	0	-	ns	12
$t_{RRH}$	Read Command Hold Time referenced to $\overline{RAS}$	0	-	ns	12
$t_{WCH}$	Write Command Hold Time	10	-	ns	

# TC514100APL/AJL/ASJL/AZL-60

## ELECTRICAL CHARACTERISTICS AND RECOMMENDED AC OPERATING CONDITIONS (Continued)

SYMBOL	PARAMETER	TC514100APL/AJL/ASJL/AZL-60		UNITS	NOTES
		MIN.	MAX.		
$t_{WP}$	Write Command Pulse Width	10	-	ns	
$t_{RWL}$	Write Command to $\overline{RAS}$ Lead Time	20	-	ns	
$t_{CWL}$	Write Command to $\overline{CAS}$ Lead Time	20	-	ns	
$t_{DS}$	Data Set-Up Time	0	-	ns	13
$t_{DH}$	Data Hold Time	15	-	ns	13
$t_{REF}$	Refresh Period	-	128	ms	
$t_{WCS}$	Write Command Set-Up Time	0	-	ns	14
$t_{CWD}$	$\overline{CAS}$ to $\overline{WRITE}$ Delay Time	20	-	ns	14
$t_{RWD}$	$\overline{RAS}$ to $\overline{WRITE}$ Delay Time	60	-	ns	14
$t_{AWD}$	Column Address to $\overline{WRITE}$ Delay Time	30	-	ns	14
$t_{CPWD}$	$\overline{CAS}$ Precharge to $\overline{WRITE}$ Delay Time	40	-	ns	14
$t_{CSR}$	$\overline{CAS}$ Set-Up Time ( $\overline{CAS}$ before $\overline{RAS}$ Cycle)	5	-	ns	
$t_{CHR}$	$\overline{CAS}$ Hold Time ( $\overline{CAS}$ before $\overline{RAS}$ Cycle)	15	-	ns	
$t_{RPC}$	$\overline{RAS}$ to $\overline{CAS}$ Precharge Time	0	-	ns	
$t_{CPT}$	$\overline{CAS}$ Precharge Time ( $\overline{CAS}$ before $\overline{RAS}$ Counter Test Cycle)	30	-	ns	
$t_{WTS}$	Write Command Set-Up Time (Test Mode In)	10	-	ns	
$t_{WTH}$	Write Command Hold Time (Test Mode In)	10	-	ns	
$t_{WRP}$	$\overline{WRITE}$ to $\overline{RAS}$ Precharge Time ( $\overline{CAS}$ before $\overline{RAS}$ Cycle)	10	-	ns	
$t_{WRH}$	$\overline{WRITE}$ to $\overline{RAS}$ Hold Time ( $\overline{CAS}$ before $\overline{RAS}$ Cycle)	10	-	ns	

# TC514100APL/AJL/ASJL/AZL-60

## ELECTRICAL CHARACTERISTICS AND RECOMMENDED AC OPERATING CONDITIONS IN THE TEST MODE

( $V_{CC} = 5V \pm 10\%$ ,  $T_a = 0 \sim 70^\circ C$ ) (Notes 7, 8, 9)

SYMBOL	PARAMETER	TC514100APL/AJL/ASJL/AZL-60		UNITS	NOTES
		MIN.	MAX.		
$t_{RC}$	Random Read Write Cycle Time	115	-	ns	
$t_{PC}$	Fast Page Mode Cycle Time	50	-	ns	
$t_{RAC}$	Access Time from $\overline{RAS}$	-	65	ns	10, 15, 16
$t_{CAC}$	Access Time from $\overline{CAS}$	-	25	ns	10, 15
$t_{AA}$	Access Time from Column Address	-	35	ns	10, 16
$t_{CPA}$	Access Time from $\overline{CAS}$ Precharge	-	45	ns	10
$t_{RAS}$	$\overline{RAS}$ Pulse Width	65	10,000	ns	
$t_{RASP}$	$\overline{RAS}$ Pulse Width (Fast Page Mode)	65	200,000	ns	
$t_{RSH}$	$\overline{RAS}$ Hold Time	25	-	ns	
$t_{CSH}$	$\overline{CAS}$ Hold Time	65	-	ns	
$t_{RHCP}$	$\overline{CAS}$ Precharge to $\overline{RAS}$ Hold Time	45	-	ns	
$t_{CAS}$	$\overline{CAS}$ Pulse Width	25	10,000	ns	
$t_{RAL}$	Column Address to $\overline{RAS}$ Lead Time	35	-	ns	

### CAPACITANCE ( $V_{CC} = 5V \pm 10\%$ , $f = 1MHz$ , $T_a = 0 \sim 70^\circ C$ )

SYMBOL	PARAMETER	MIN.	MAX.	UNIT
$C_{I1}$	Input Capacitance (A0~A10, D <sub>IN</sub> )	-	5	pF
$C_{I2}$	Input Capacitance ( $\overline{RAS}$ , $\overline{CAS}$ , WRITE)	-	7	
$C_O$	Output Capacitance (D <sub>OUT</sub> )	-	7	

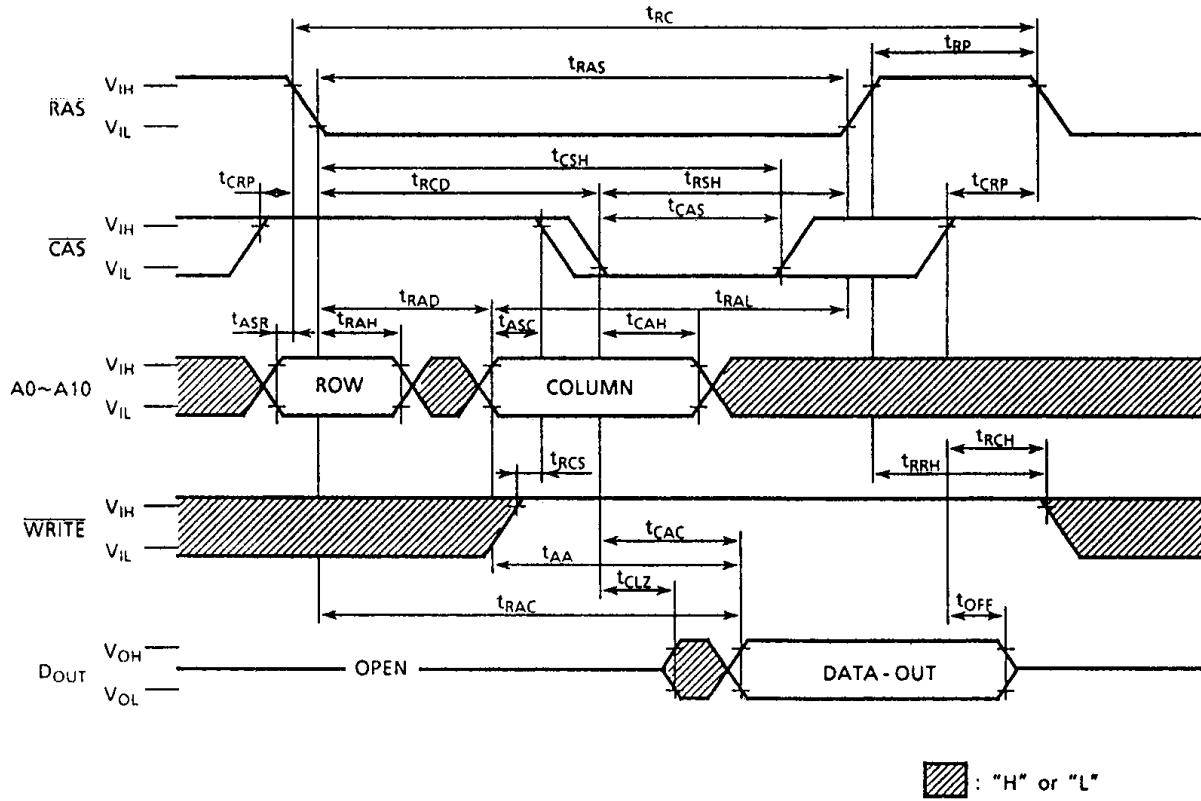
**NOTES:**

1. Stresses greater than those listed under "Absolute Maximum Ratings" may cause permanent damage to the device.
2. All voltages are referenced to  $V_{SS}$ .
3.  $I_{CC1}$ ,  $I_{CC3}$ ,  $I_{CC4}$ ,  $I_{CC6}$ ,  $I_{CC7}$  depend on cycle rate.
4.  $I_{CC1}$ ,  $I_{CC4}$  depend on output loading. Specified values are obtained with the output open.
5. Column address can be changed once or less While  $\overline{RAS} = V_{IL}$  and  $\overline{CAS} = V_{IH}$ .
6.  $t_{RAS}(\max.) = 1\mu s$  is only applied to refresh of battery-back up.  $t_{RAS}(\max.) = 10\mu s$  is applied to functional operating.
7. An initial pause of  $200\mu s$  is required after power-up followed by 8  $\overline{RAS}$  only refresh cycles before proper device operation is achieved. In case of using internal refresh counter, a minimum of 8  $\overline{CAS}$  before  $\overline{RAS}$  refresh cycles instead of 8  $\overline{RAS}$  only refresh cycles are required.
8. AC measurements assume  $t_T = 5ns$ .
9.  $V_{IH}(\min.)$  and  $V_{IL}(\max.)$  are reference levels for measuring timing of input signals. Also, transition times are measured between  $V_{IH}$  and  $V_{IL}$ .
10. Measured with a load equivalent to 2 TTL loads and  $100pF$ .
11.  $t_{OFF}(\max.)$  defines the time at which the output achieves the open circuit condition and is not referenced to output voltage levels.
12. Either  $t_{RCH}$  or  $t_{RRH}$  must be satisfied for a read cycle.
13. These parameters are referenced to  $\overline{CAS}$  leading edge in early write cycles and to  $\overline{WRITE}$  leading edge in read-write cycles.
14.  $t_{WCS}$ ,  $t_{RWD}$ ,  $t_{CWD}$ ,  $t_{AWD}$  and  $t_{CPWD}$  are not restrictive operating parameters. They are included in the data sheet as electrical characteristics only. If  $t_{WCS} \geq t_{WCS}(\min.)$ , the cycle is an early write cycle and data out pin will remain open circuit (high impedance) throughout the entire cycle; If  $t_{RWD} \geq t_{RWD}(\min.)$ ,  $t_{CWD} \geq t_{CWD}(\min.)$ ,  $t_{AWD} \geq t_{AWD}(\min.)$  and  $t_{CPWD} \geq t_{CPWD}(\min.)$  (Fast Page Mode), the cycle is a read-write cycle and the data out will contain data read from the selected cell: If neither of the above sets of conditions is satisfied, the condition of the data out (at access time) is indeterminate.
15. Operation within the  $t_{RCD}(\max.)$  limit insures that  $t_{RAC}(\max.)$  can be met.  
 $t_{RCD}(\max.)$  is specified as a reference point only: If  $t_{RCD}$  is greater than the specified  $t_{RCD}(\max.)$  limit, then access time is controlled by  $t_{CAC}$ .
16. Operation within the  $t_{RAD}(\max.)$  limit insures that  $t_{RAC}(\max.)$  can be met.  
 $t_{RAD}(\max.)$  is specified as a reference point only: If  $t_{RAD}$  is greater than the specified  $t_{RAD}(\max.)$  limit, then access time is controlled by  $t_{AA}$ .

# TC514100APL/AJL/ASJL/AZL-60

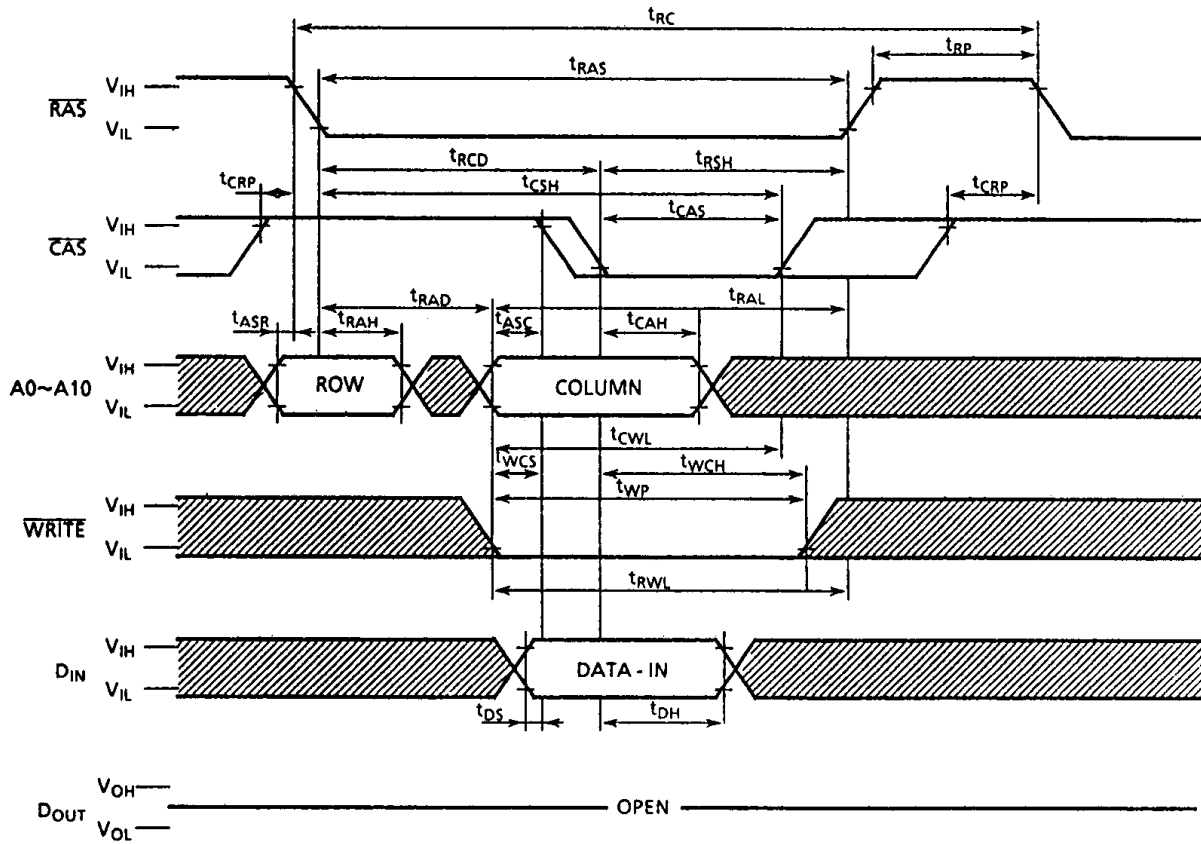
## TIMING WAVEFORMS

### READ CYCLE



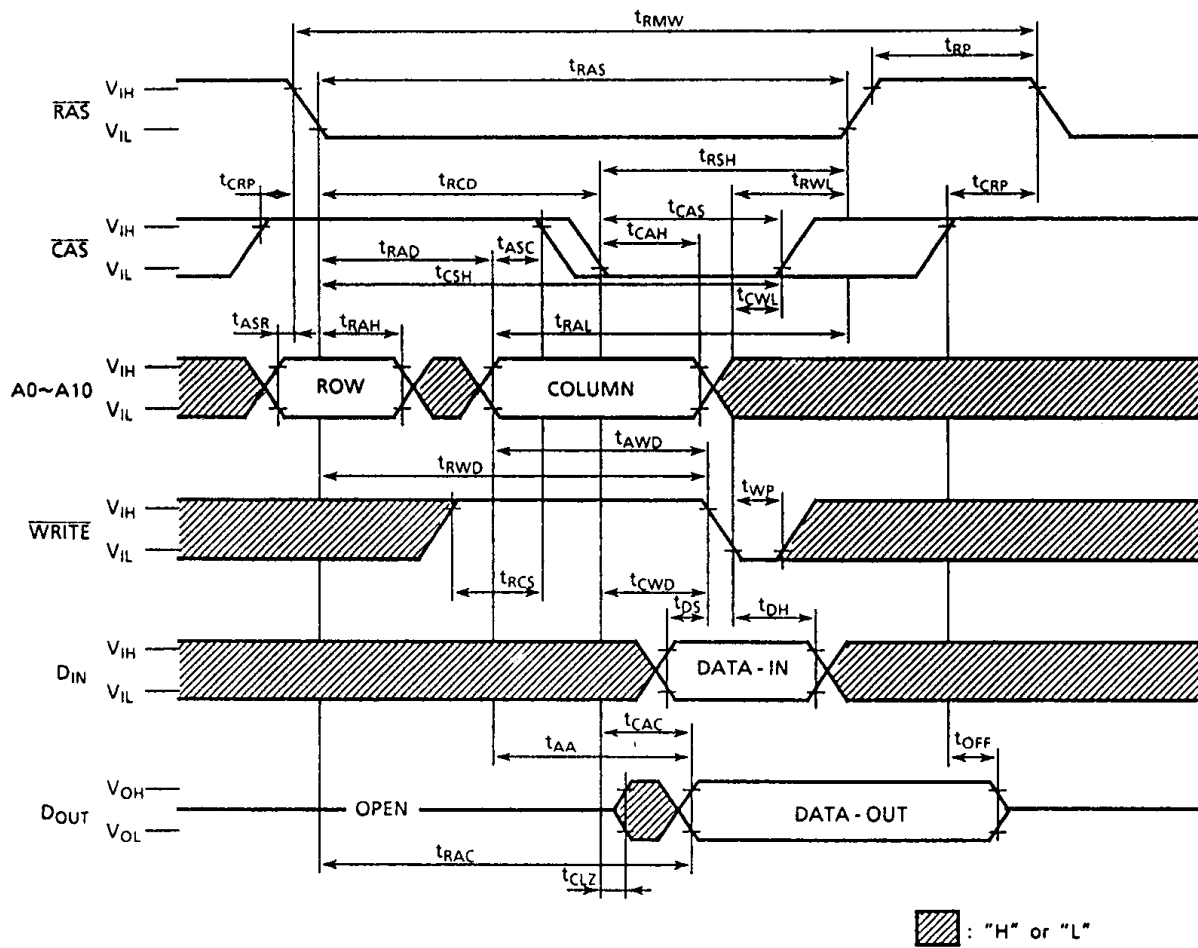


WRITE CYCLE (EARLY WRITE)

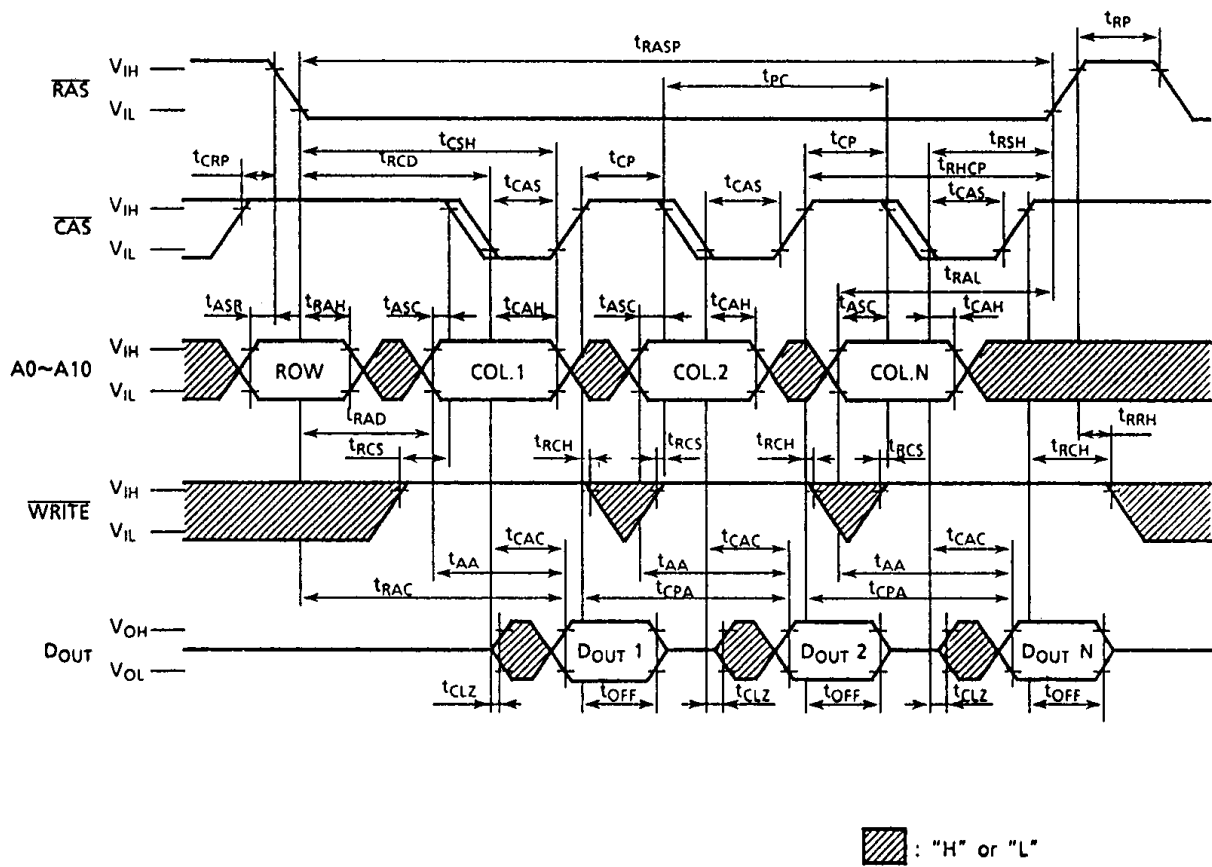


# TC514100APL/AJL/ASJL/AZL-60

## READ-MODIFY-WRITE CYCLE

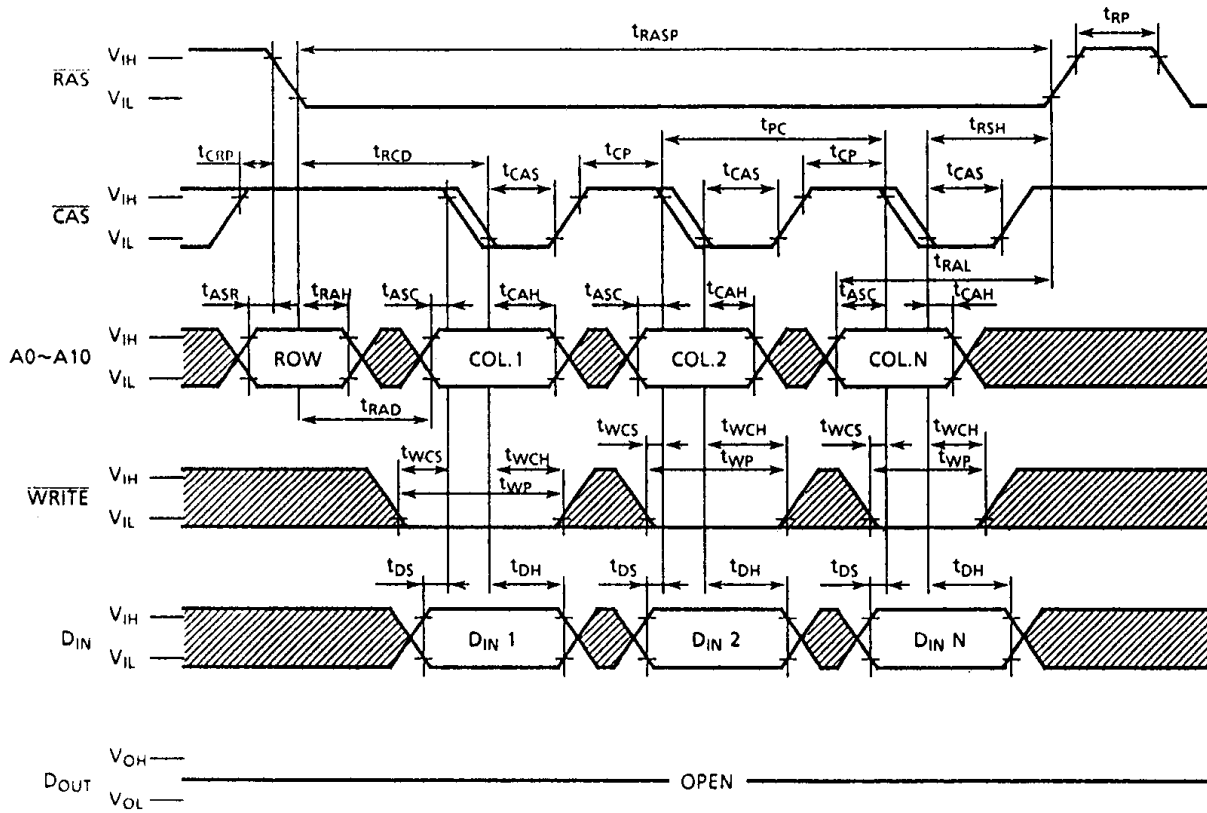


FAST PAGE MODE READ CYCLE



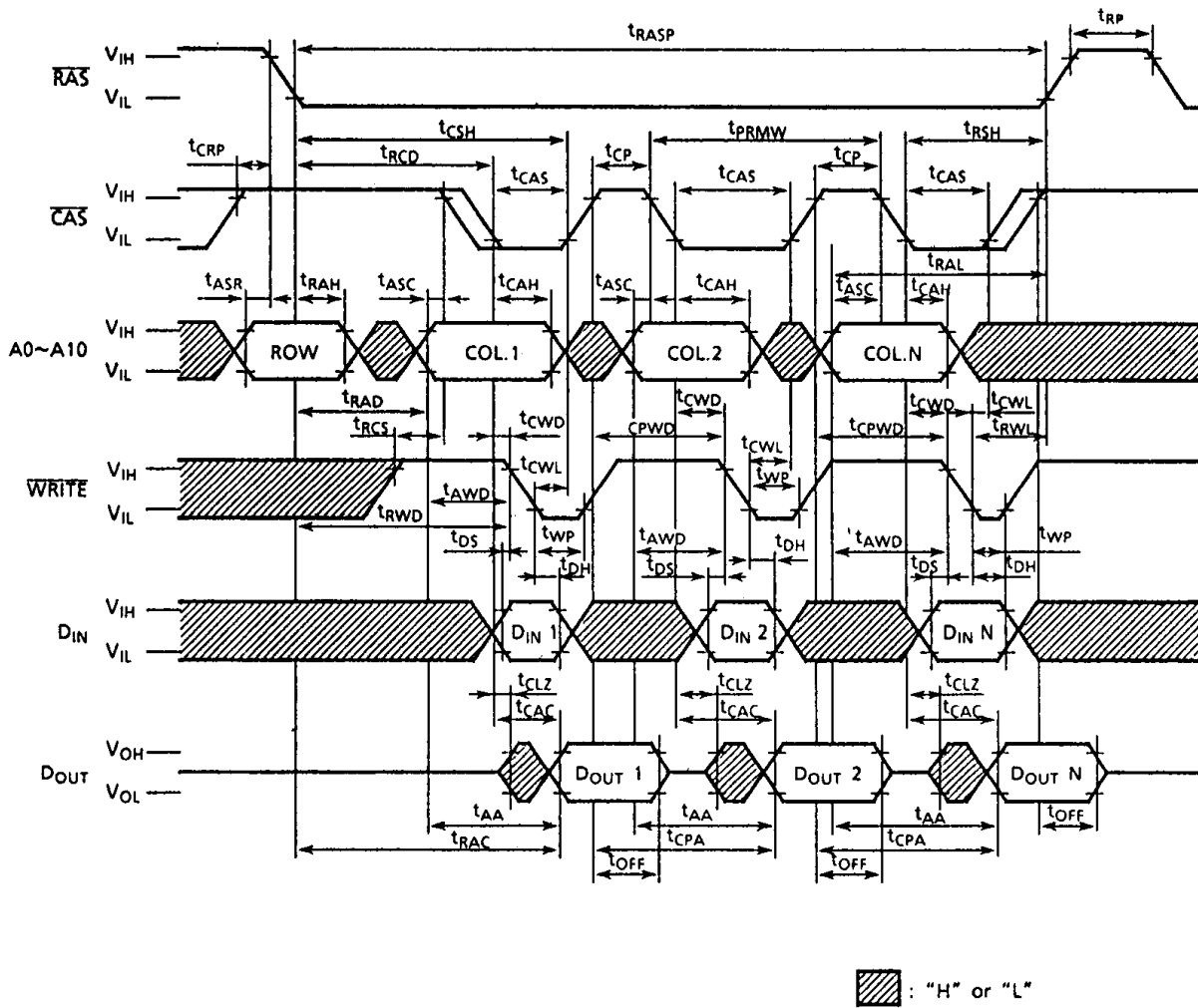
# TC514100APL/AJL/ASJL/AZL-60

## FAST PAGE MODE WRITE CYCLE (EARLY WRITE)



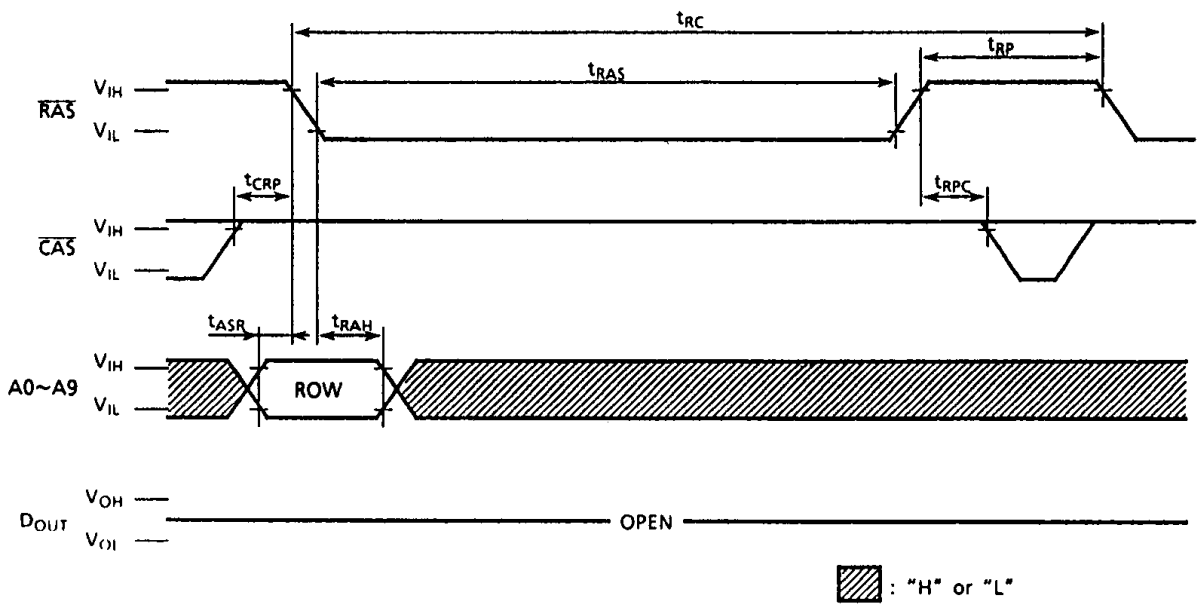
▨ : "H" or "L"

## FAST PAGE MODE READ-MODIFY-WRITE CYCLE



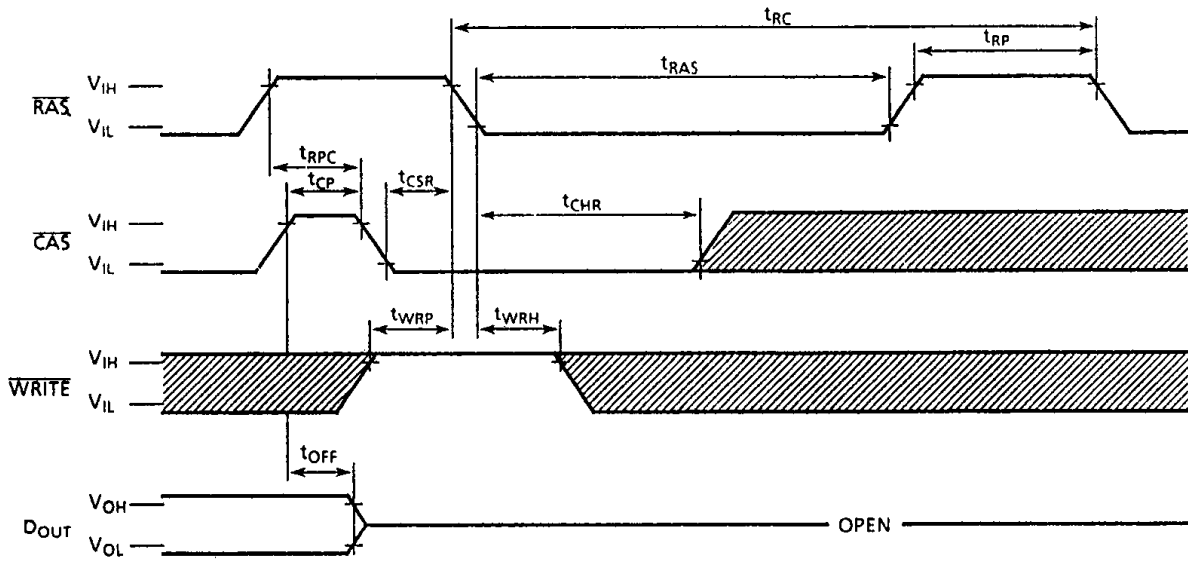
# TC514100APL/AJL/ASJL/AZL-60

## RAS ONLY REFRESH CYCLE



Note :  $\overline{WRITE}$ , A10="H" or "L"

CAS BEFORE RAS REFRESH CYCLE

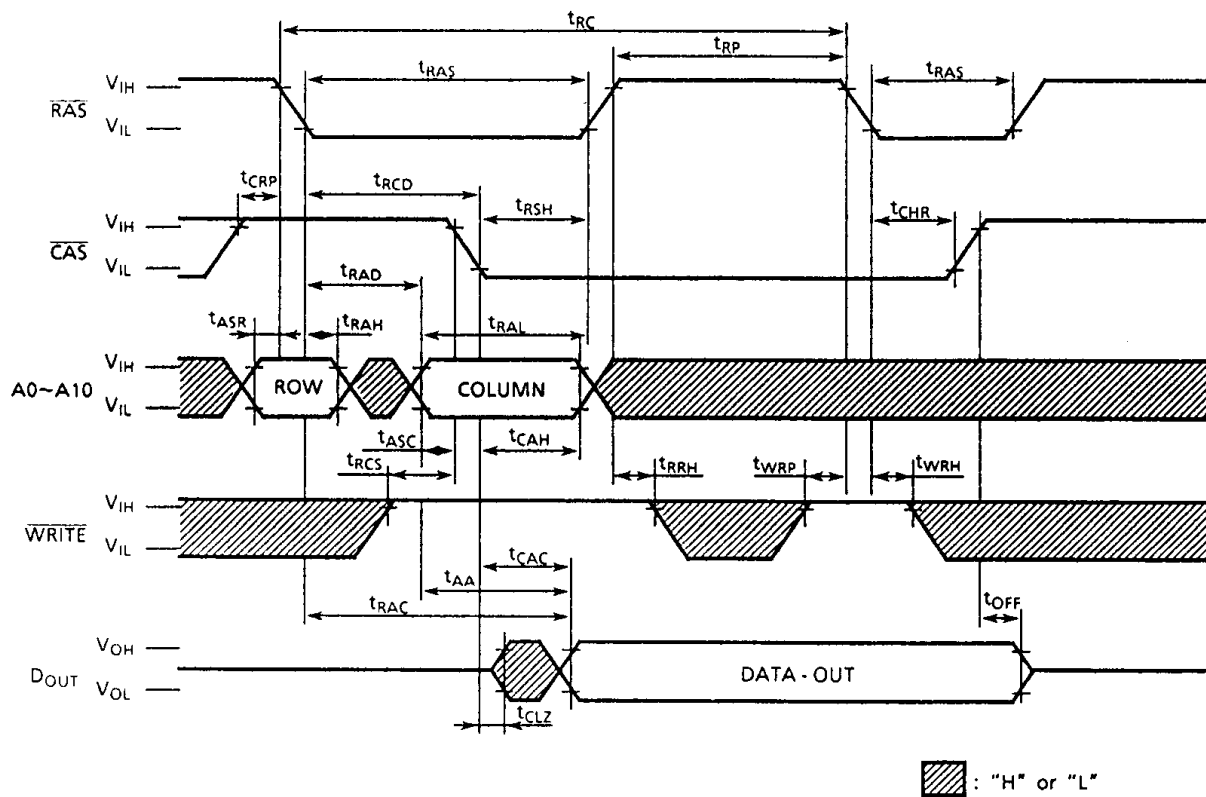


Note: A0~A10 = "H" or "L"

▨ : "H" or "L"

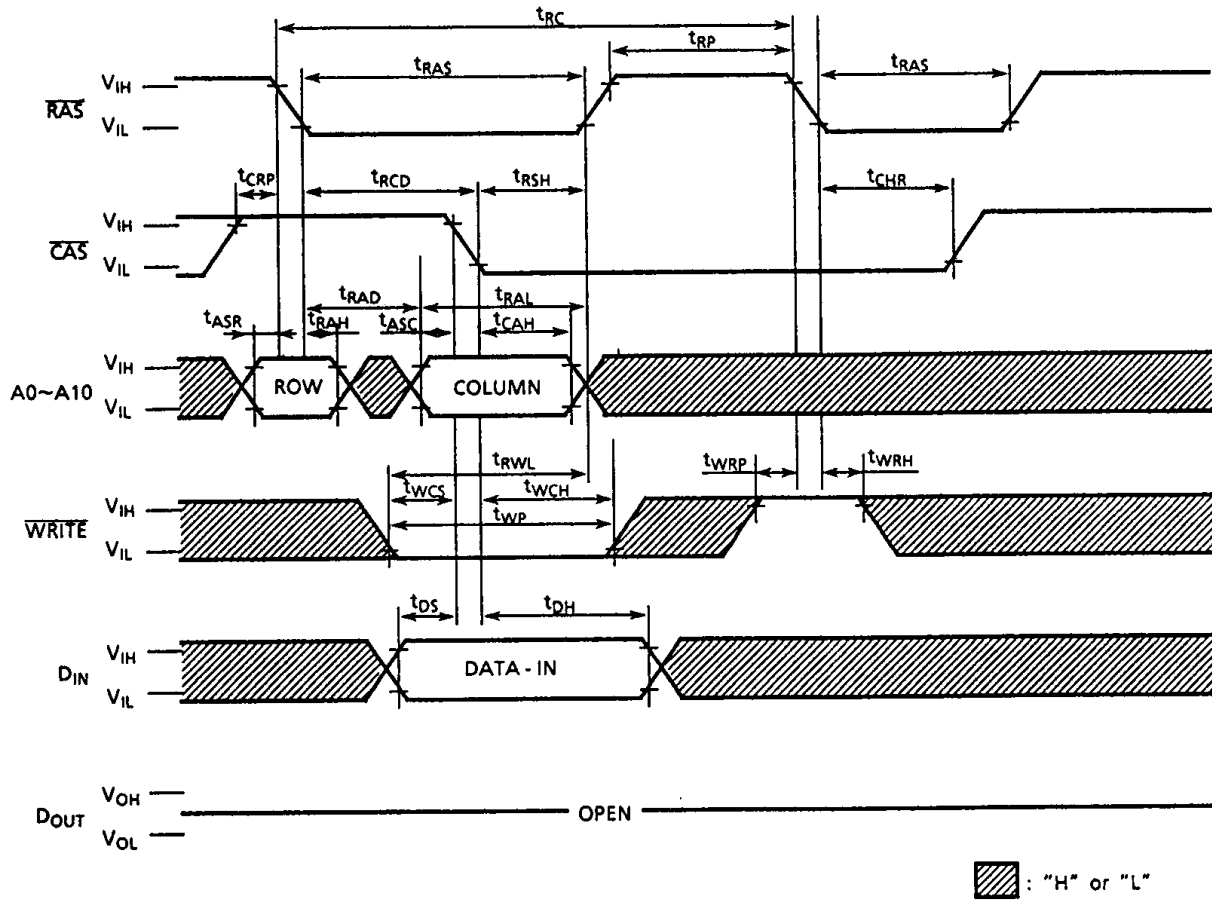
# TC514100APL/AJL/ASJL/AZL-60

## HIDDEN REFRESH CYCLE (READ)



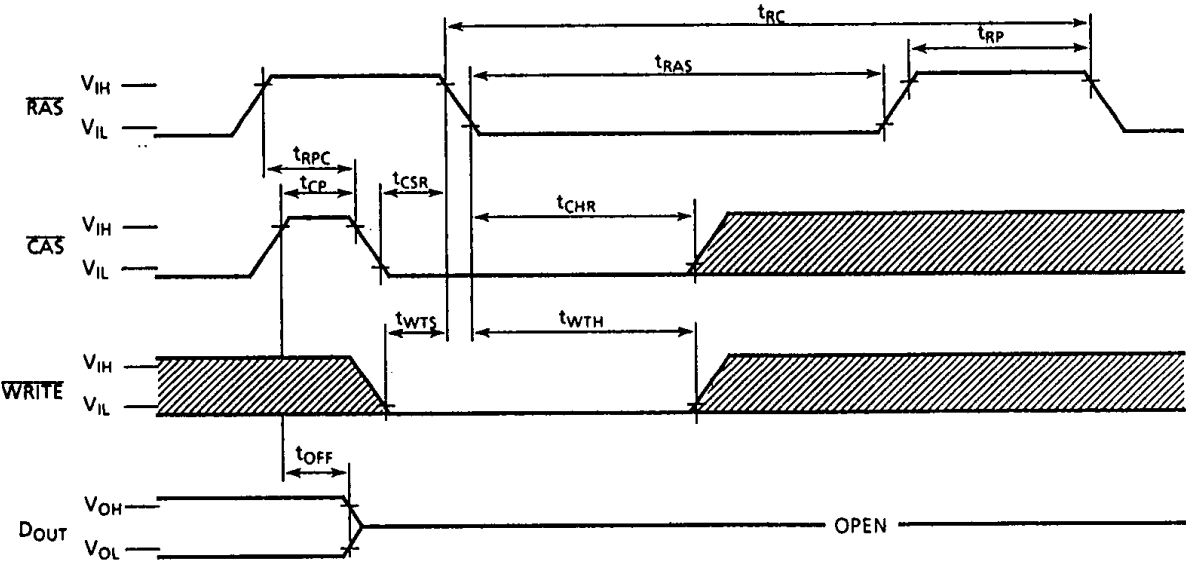


HIDDEN REFRESH CYCLE (WRITE)





WRITE, CAS BEFORE RAS REFRESH CYCLE



Note:  $D_{IN}$ , A0~A10 = "H" or "L"

▨ : "H" or "L"

# TC514100APL/AJL/ASJL/AZL-60

---

## TEST MODE

The TC514100APL/AJL/ASJL/AZL is the RAM organized 4,194,304 words by 1 bits, it is internally organized 524,288 words by 8 bits. In "Test Mode", data are written into 8 sectors in parallel and retrieved the same way. A<sub>10R</sub> and A<sub>0C</sub> are not used. If, upon reading, all bits equal (all "1"s or "0"s), the data output pin indicates a "1". If any of the bits differed, the data output pin would indicate a "0". Fig.1 shows the block diagram of TC514100APL/AJL/ASJL/AZL. In "Test Mode", the 4M DRAM can be tested as if it were a 512K DRAM.

" $\overline{\text{WRITE}}$ ,  $\overline{\text{CAS}}$  Before  $\overline{\text{RAS}}$  Refresh Cycle" puts the device into "Test Mode". And " $\overline{\text{CAS}}$  Before  $\overline{\text{RAS}}$  Refresh Cycle" or " $\overline{\text{RAS}}$  Only Refresh Cycle" puts it back into "Normal Mode". In the Test Mode, " $\overline{\text{WRITE}}$ ,  $\overline{\text{CAS}}$  Before  $\overline{\text{RAS}}$  Refresh Cycle" Performs the refresh operation with the internal refresh address counter. The "Test Mode" function reduces test times (1/8 in case of N test pattern).

BLOCK DIAGRAM IN THE TEST MODE

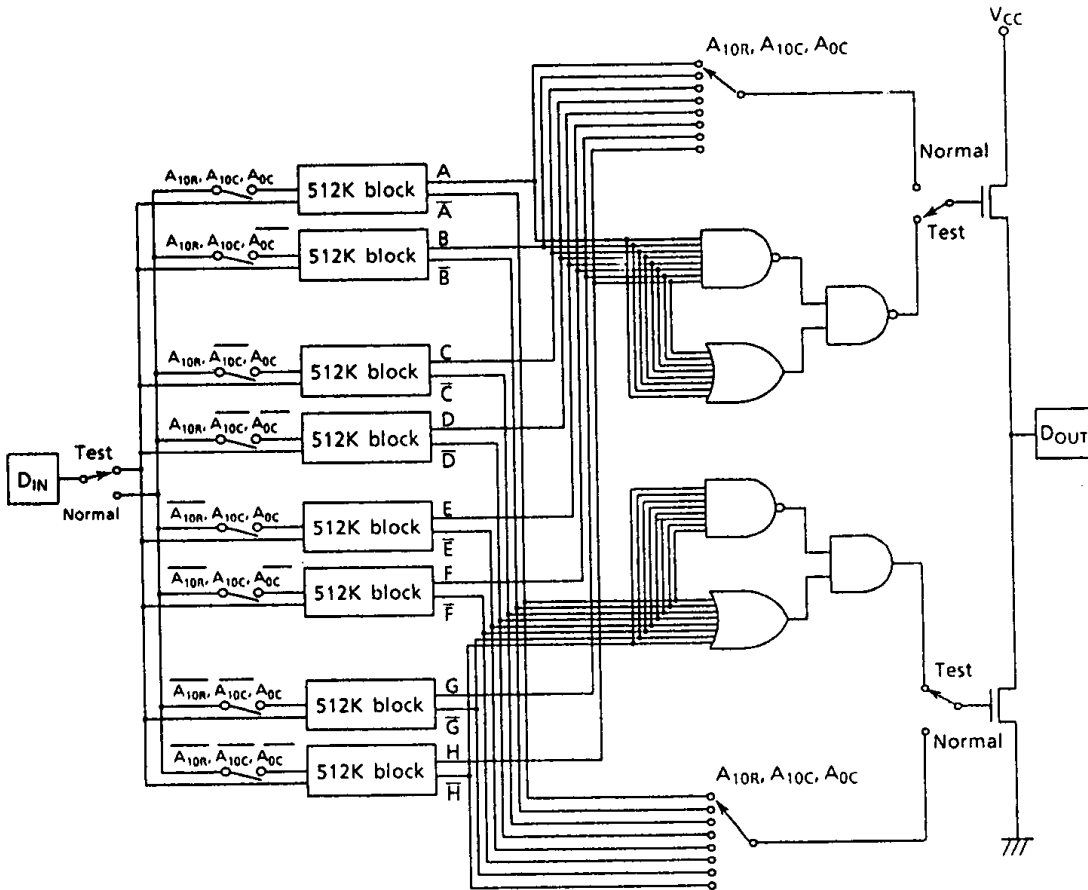


Fig. 1