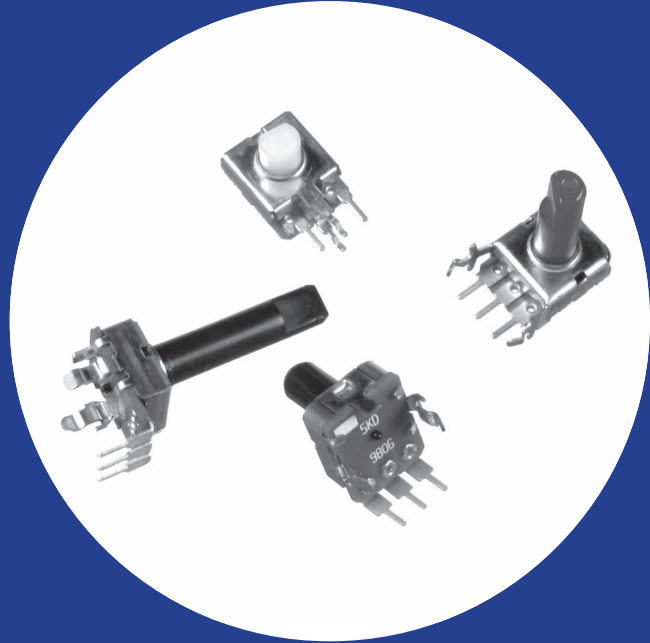


Commercial 12mm Diameter Carbon Composition Rotary Potentiometer

Features

- Miniature 12mm size
- Low cost
- Snap-in bracket for PC board mounting
- Detent available
- Insulated shaft available
- RoHS compliant



Electrical and Mechanical Specifications

Resistance Range

500 ohms through 1 Megohms

Resistance Tolerance

±30%, ±20%, ±10%

Power Rating

0.15 watts @ 50°C

Dielectric Strength

500 VDC for 1 minute

Maximum Operating Voltage

350 VDC

Insulation Resistance

100 Megohms minimum @ 250 VDC

Rotational Angle

Mechanical angle: 300°
Effective angle: 280°

Rotational Torque

20 – 216 gf-cm

Stop Strength

5.76 kg-cm minimum (VR without detent)
3 kg-cm minimum (VR with detent)

Mounting Information

P.C. board mounting
Type "X": Shaft parallel to P.C. board
Type "U": Shaft vertical to P.C. board
Type "H": Same as "X" except hook terminals

Detent

Detent @ 50% rotation

Push-Pull strength on shaft

8 kg for 10 seconds

Rotational life

10K cycles

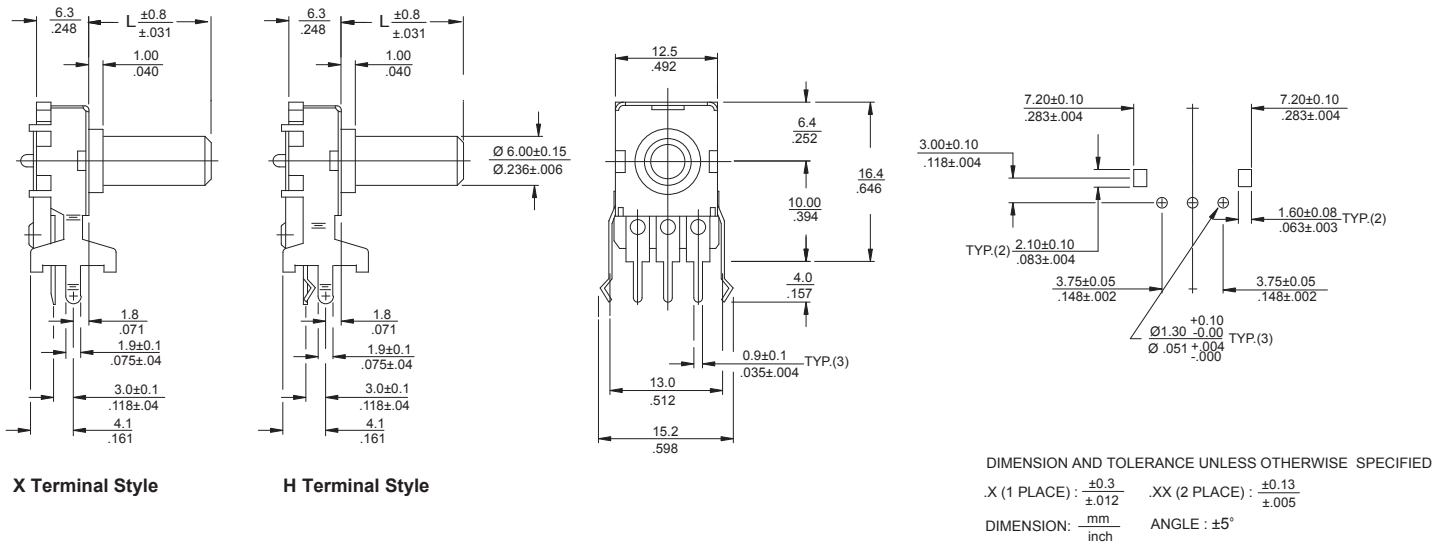
Operating temperature

-10°C ~ 80°C

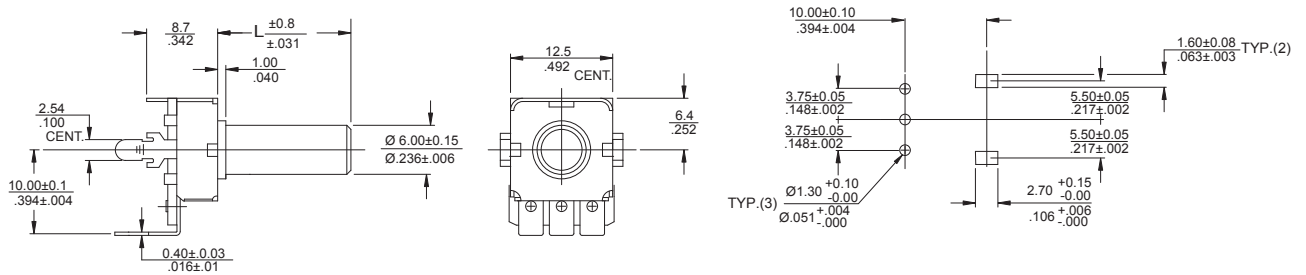
Solder Heat Resistance

260°C for 5 seconds

XM 296RE/ HM 296RE Molded Shaft, Shaft Parallel to P.C. Board



UM 296RE Molded Shaft, Shaft Perpendicular to P.C. Board



Ordering Information

296 **X** **B** **252** **B** **2** **N**

TERMINAL STYLE	
X - PC	
U - PC FORMED TO REAR	
H - HOOK	

RESISTANCE CODE EXAMPLES	
CODE	RESISTANCE
501	500 OHMS
102	1K
252	2.5K
502	5K
103	10K
253	25K
503	50K
104	100K

RESIST TOL	
A - $\pm 10\%$	
B - $\pm 20\%$	
C - $\pm 30\%$	

DETENT	
N - NO DETENT	
C - CENTER DETENT	

SHAFTS AVAILABLE	
(ALL SHAFTS .236" Dia. (6.0mm) except "E" - Diameter is .240" (6.1mm))	
LENGTH BEYOND	
COVER	TRIM
A - .640" (16.3mm)	FLATTED .472" X .177" (12X4.5mm)
B - .840" (21.3mm)	FLATTED .472" X .177" (12X4.5mm)
C - 1.031" (26.2mm)	FLATTED .472" X .177" (12X4.5mm)
D - .540" (13.7mm)	KNURLED .287" X 18T (7.3mm X 18T)
E - .265" (6.7mm)	FLATTED .218" X .204" (5.5 X 5.2mm)
F - .640" (16.3mm)	FLATTED .276" X .177" (7X4.5mm)
G - .717" (18.2mm)	FLATTED .276" X .177" (7X4.5mm)
H - 1.035" (26.3mm)	FLATTED .276" X .177" (7X4.5mm)

TAPER	
1 - LINEAR	
2 - 10% AUD	
3 - 10% CCW AUD	