

PLEASE CHECK WWW.MOLEX.COM FOR LATEST PART INFORMATION

Part Number: [35524-0924](#)
Status: **Active**
Description: 1.78mm Tab Multiple Male Housing with Ear, 9 Circuits, Vertical, Polyester UL94V-0, Blue

Documents:

[3D Model](#) [Packaging Specification PK-35524-001 \(PDF\)](#)
[Drawing \(PDF\)](#) [RoHS Certificate of Compliance \(PDF\)](#)
[Product Specification PS-35524-001 \(PDF\)](#)

Agency Certification

UL E29179

General

Product Family Crimp Housings
 Series [35524](#)
 Application Power, Wire-to-Wire
 Comments Polarized to Mating Part
 Product Name N/A
 UPC 756054284476

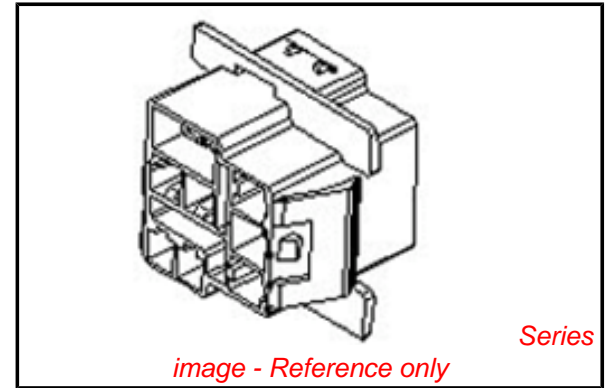
Physical

Breakaway No
 Circuits (maximum) 9
 Color - Resin Blue
 Flammability 94V-0
 Gender Male
 Glow-Wire Compliant No
 Keying to Mating Part None
 Lock to Mating Part Yes
 Material - Resin Polyester
 Net Weight 11.501/g
 Number of Rows 3
 Packaging Type Bag
 Panel Mount No
 Pitch - Mating Interface 6.20mm, 7.30mm
 Stackable No
 Temperature Range - Operating -40°C to +120°C

Material Info

Reference - Drawing Numbers

Packaging Specification PK-35524-001
 Product Specification PS-35524-001
 Sales Drawing SD-35524-001



EU RoHS

ELV and RoHS Compliant
REACH SVHC Contains SVHC: No
Low-Halogen Status Not Low-Halogen

China RoHS



Need more information on product environmental compliance?

Email productcompliance@molex.com
 For a multiple part number RoHS Certificate of Compliance, [click here](#)

Please visit the [Contact Us](#) section for any non-product compliance questions.

Search Parts in this Series

[35524Series](#)

Mates With

[35151](#) VersaBlade™ Hybrid Plug Housing,
[35525](#) Tab Female Housing

Use With

[35151](#) VersaBlade™ Hybrid Plug Housing.
[35525](#) Tab Female Housing