

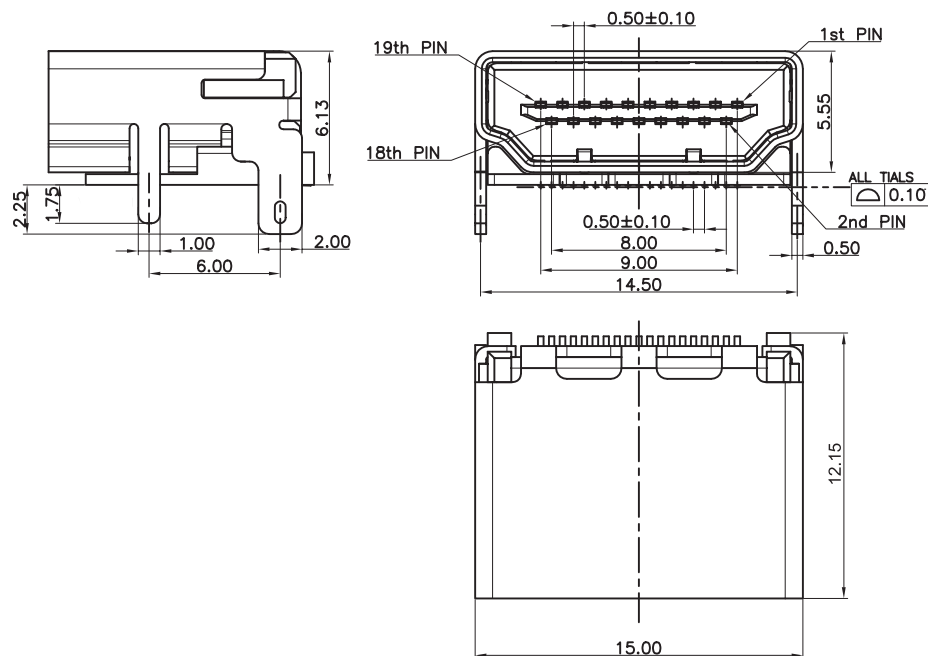
1

2

3

4

5



RECOMMENDED P.C.B PATTERN LAYOUT
T=1.6±0.15

TECHNICAL CHARACTERISTICS

MATERIAL
INSULATOR: LCP
COLOR: BLACK
SHIELDING: BRASS NI PLATED
CONTACT: COPPER ALLOY
CONTACT TYPE: STAMPED
LEVEL: 3 AS PER CECC 75 301-802

ENVIRONMENTAL
OPERATING TEMPERATURE: -25 TO 85°C
FLAMABILITY RATING: UL94-V0
COMPLIANCE: LEAD FREE AND ROHS

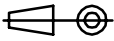

ELECTRICAL
CURRENT RATING: 0.5A
VOLTAGE RATING: 40V DC
INSULATOR RESISTANCE: UNMATED = 100 MOHM,
MATED = 10 MOHM
DIELECTRIC WITHSTANDING: UNMATED = 500VAC,
MATED = 300VAC
CONTACT RESISTANCE: 30 mOHM MAX
SHELL: 50 mOHM MAX

STANDARD
 CERTIFIED: E323964

SOLDERING
JEDEC LEAD FREE REFLOW SOLDERING PROCESS

PACKAGING
TAPE & REEL

RoHS Compliant

G				PROJECTION: 	GENERAL TOLERANCE .X = ± 0.2 .XX = ± 0.15	 WÜRTH ELEKTRONIK	DESCRIPTION: ANGLED SMT HDMI	SIZE A4
F								
E	24-NOV-15	UL CERTIFICATION	AK					
D	02-JUL-15	UPDATE	AK					
C	07-MAY-14	SHLD & CTC	QL					
B	05-OCT-07	INSET INFO.	CH	APPROVAL: NPr	UNIT: MM	WERI PART NO: 685 119 134 923		
A	11-OCT-06	PDF	JP		SCALE:			
REV	DATE	FILE	BY		SHEET: 1/3			
					DRAW: SEAMAN			

1

2

3

4

5

Cautions and Warnings:

This electronic component is designed and developed with the intention for use in general electronics equipments.

Before incorporating the components into any equipments in the field such as aerospace, aviation, nuclear control, submarine, transportation, (automotive control, train control, ship control), transportation signal, disaster prevention, medical, public information network etc. where higher safety and reliability are especially required or if there is possibility of direct damage or injury to human body, Würth Elektronik must be asked for a written approval.

In addition, even electronic component in general electronic equipments, when used in electrical circuits that require high safety, reliability functions or performance, the sufficient reliability evaluation-check for the safety must be performed before by the user before usage.

A

B

C

RoHS Compliant

G				PROJECTION: 	GENERAL TOLERANCE .X = +/- 0.2 .XX = +/- 0.15		
F							
E							
D							
C				APPROVAL: JC	UNIT: MM	DESCRIPTION: DISCLAIMER	SIZE A4
B					SCALE:		
A	10-SEP-14	PDF	QL		SHEET: 3/3	WERI PART NO: DISCLAIMER	
REV	DATE	FILE	BY		DRAW: QL		

D