

C/A-574X FOUR DIGITS DISPLAY


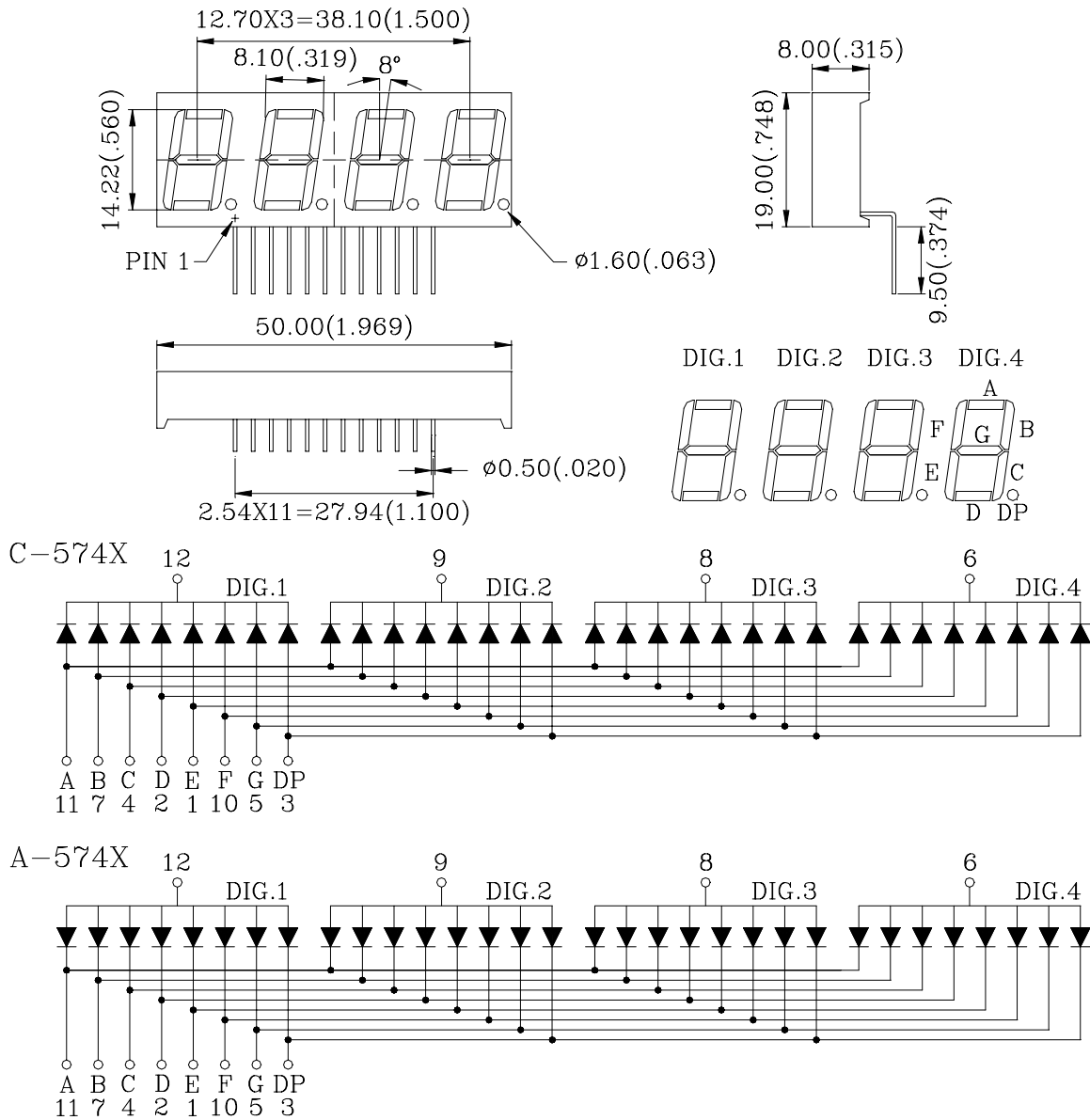
Shape	Part No.		Chip		Wave Length λ_p (nm)	Electro-Optical Characteristics			Fig. No.
	Common Cathode	Common Anode	Raw Material	Emitted Color		Vf(V)20mA		Iv(ucd)10mA	
						Typ.	Max.	Typ.	
	C-574H	A-574H	GaP	Red	700	2.1	2.8	700	D53
	C-574E	A-574E	GaAsP/GaP	Hi.effi Red	635	2.0	2.8	2000	
	C-574G	A-574G	GaP	Green	565	2.1	2.8	2000	
	C-574Y	A-574Y	GaAsP/GaP	Yellow	585	2.1	2.8	1600	
	C-574SR	A-574SR	GaAlAs	Super Red	660	1.8	2.4	21000	

Fig.D53



1.All dimension are in millimeters (inches).
2.Tolerance is ± 0.25 mm (0.01") unless otherwise specified.