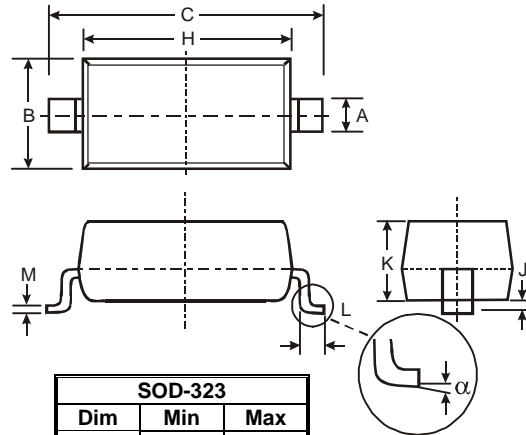


### Features

### Mechanical Data

- Case Molded Plastic



SOD-323		
Dim	Min	Max
A	0.25	0.35
B	1.20	1.40
C	2.30	2.70
H	1.60	1.80
J	0.00	0.10
K	1.0	1.1
L	0.20	0.40
M	0.10	0.15
$\alpha$	0°	8°
All Dimensions in mm		

### Maximum Ratings and Electrical Characteristics @ T<sub>A</sub> = 25°C unless otherwise specified

Symbol	Parameter	Value	Units
V <sub>RRM</sub>	Maximum Repetitive Reverse Voltage	30	V
I <sub>F(AV)</sub>	Average Rectified Forward Current	200	mA
I <sub>FSM</sub>	Non-repetitive Peak Forward Surge Current Pulse Width = 1.0 second	600	mA
T <sub>STG</sub>	Storage Temperature Range	-65 to +150	°C
T <sub>J</sub>	Operating Junction Temperature	-55 to +150	°C

Symbol	Parameter	Test Conditions	Min.	Max.	Units
V <sub>R</sub>	Breakdown Voltage	I <sub>R</sub> = 10μA	30		V
V <sub>F</sub>	Forward Voltage	I <sub>F</sub> = 0.1mA		240	mV
		I <sub>F</sub> = 1.0mA		320	mV
		I <sub>F</sub> = 10mA		400	mV
		I <sub>F</sub> = 30mA		500	mV
		I <sub>F</sub> = 100mA		0.8	V
I <sub>R</sub>	Reverse Leakage	V <sub>R</sub> = 25V		2.0	μA
C <sub>T</sub>	Total Capacitance	V <sub>R</sub> = 1V, f = 1.0MHz		10	pF
t <sub>rr</sub>	Reverse Recovery Time	I <sub>F</sub> = I <sub>R</sub> = 10mA, I <sub>RR</sub> = 1.0mA, R <sub>L</sub> = 100Ω		5.0	ns

\* These ratings are limiting values above which the serviceability of the diode may be impaired.

**NOTES:**

- 1) These ratings are based on a maximum junction temperature of 150 degrees C.
- 2) These are steady limits. The factory should be consulted on applications involving pulsed or low duty cycle operations.

