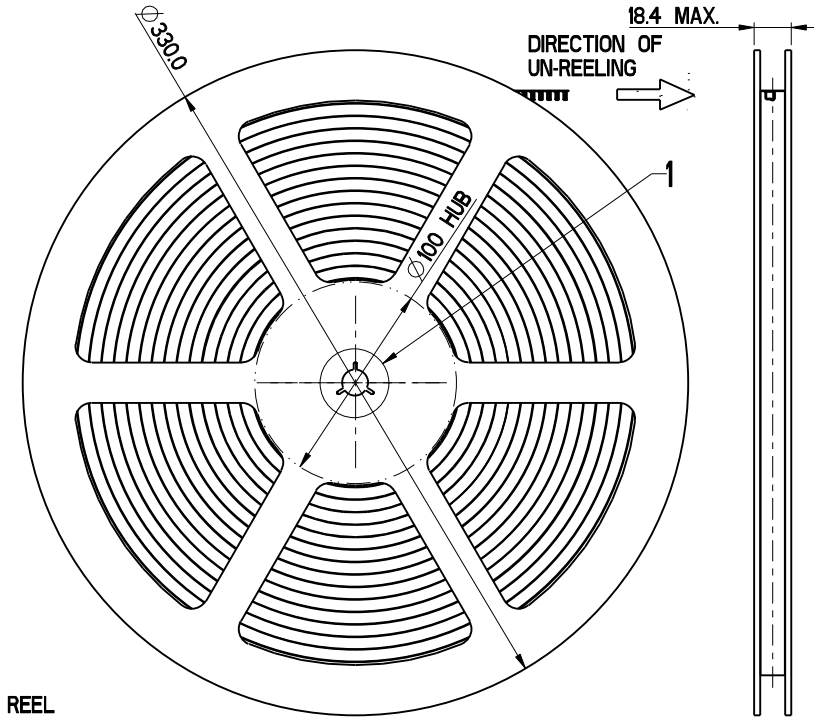
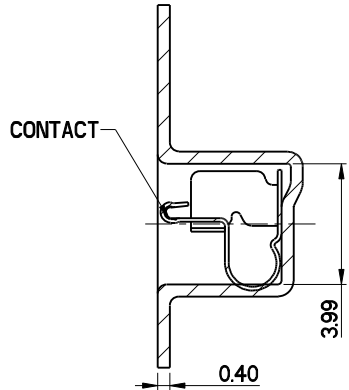
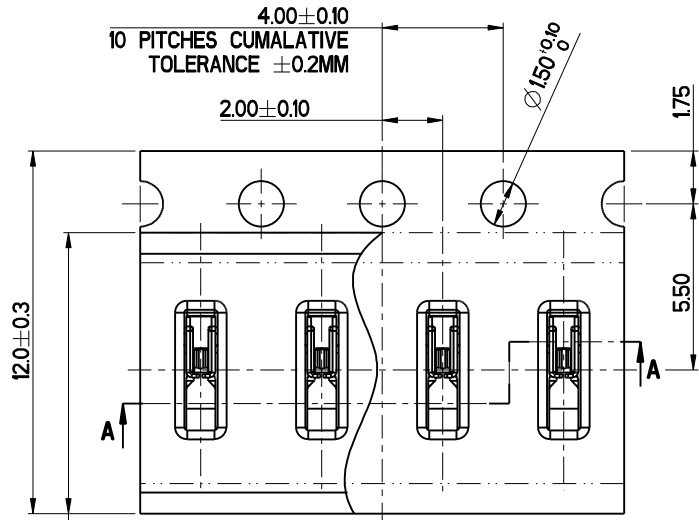
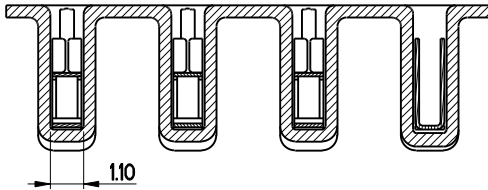


DO NOT SCALE						A3/B		
Drawn	BILLS	18-OCT-11	Material:	 ITT Industries Cannon Electronics (SZ) Co. Ltd. Toupandun Industrial Area, Jinda Cheng, Xiner Village, Shajing Town, Baoan District, Shenzhen City PRC 518125	Pro/E Generic Model			
Checked	PL	18-OCT-11	SEE NOTES 1		Title			
Engineer	BILLS	18-OCT-11			MICRO UNIVERSAL CONTACT Z 4.0mm			
Manufact.	-	-						
Assembly	-	-	Treatment:					
Quality	-	-						
Approvals	Sign	Date	Dimensions in: mm	Cust Spec No:	Scale 20:1	Sheet 1 of 2	Drwg. No. CU-120220-0315	iss/rev B
This is issued in strict confidence on condition that it is not used as a basis for manufacture or sale and that it is not copied, reprinted or disclosed to a third party either wholly or in part without the prior written consent of ITT Industries © 24-May-05								



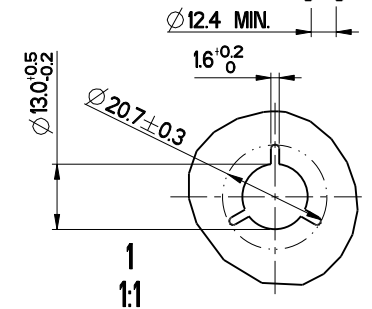
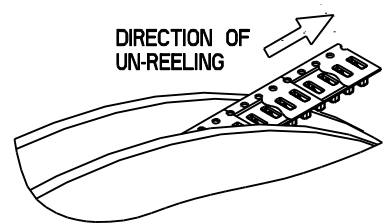
93 ANTI-STATIC COVER TAPE  
POLYESTER - 0.025 THICK  
PRESSURE SEAL



NOTES: SECTION A-A  
1, UNSPECIFIED INTERNAL RADII R0.2 MM MAX.  
2, CARRIER TAPE MATERIAL - BLACK CONDUCTIVE  
POLYSTYRENE.

PACKAGING DETAILS

- 1) 3200 PCS TO BE PACKED PER REEL
- 2) LEADER : 400 MM
- 3) TRAILER : 160 MM
- 4) REEL MATERIAL - BLACK ANTI-STATIC POLYSTYRENE



<b>DO NOT SCALE</b>							A3/B		
Drawn	BILLS	13-JUL-11	Material:	 3rd ANGLE PROJECTION Surface Roughness Unless Specified	 ITT Industries Cannon Electronics (SZ) Co. Ltd.	Toupandun Industrial Area, Jinda Cheng, Xiner Village, Shajing Town, Baoan District, Shenzhen City PRC 518125		Pro/E Generic Model	
Checked	PL	13-JUL-11	SEE NOTES 1			Title		MICRO UNIVERSAL CONTACT Z 4.0mm	
Engineer	BILLS	13-JUL-11				Scale 1:1		Sheet 2 of 2	
Manufact.	-	.	Treatment:			Drwg. No. 120220-0315		iss/rev B	
Assembly	-	.	Dimensions in: mm	Cust Spec No:					
Quality	-	.							
Approvals	Sign	Date							

This is issued in strict confidence on condition that it is not used as a basis for manufacture or sale and that it is not copied, reprinted or disclosed to a third party either wholly or in part without the prior written consent of ITT Industries © 24-May-05