



## 75 Ohm Flexible RG59 Plenum Rated Coax Cable Single Shielded with White PVC Jacket

### TECHNICAL DATA SHEET

RG59-P

#### Configuration

Cable Design	Plenum
Inner Conductor Material and Plating	Copper
Dielectric Type	FEP (F)
Shield Materials	Copper Braid
Jacket Material and Color	PVC, White

#### Electrical Specifications

Impedance, Ohms	75
Velocity of Propagation, %	82
Maximum Operating Frequency, MHz	1000
Capacitance, pF/ft [pF/m]	16.5 [54.13]

#### Electrical Specifications by Frequency

##### Frequency 1

Frequency, MHz	100
Attenuation, dB/100ft [dB/100m]	3 [9.84]

##### Frequency 2

Frequency, MHz	200
Attenuation, dB/100ft [dB/100m]	4.5 [14.76]

##### Frequency 3

Frequency, MHz	400
Attenuation, dB/100ft [dB/100m]	6.6 [21.65]

##### Frequency 4

Frequency, MHz	1000
Attenuation, dB/100ft [dB/100m]	10.9 [35.76]

#### Mechanical Specifications

##### Temperature

Operating Range, deg C	-40 to +80
------------------------	------------

##### Inner Conductor

Number of Strands	7
Material	Copper
Diameter, in [mm]	0.03 [0.76]

##### Dielectric:

Type	FEP (F)
Diameter, in [mm]	0.138 [3.51]

Click the following link (or enter part number in "SEARCH" on website) to obtain additional part information including price, inventory and certifications: [75 Ohm Flexible RG59 Plenum Rated Coax Cable Single Shielded with White PVC Jacket RG59-P](#)





75 Ohm Flexible RG59 Plenum Rated Coax Cable  
Single Shielded with White PVC Jacket

TECHNICAL DATA SHEET

RG59-P

**Shield:**

Number of Material 1  
Copper Braid

**Jacket:**

Material PVC  
Diameter, in [mm] 0.194 [4.93]  
Color White  
Weight, lbs/ft [Kg/m] 0.03 [0.04]

**Compliance Certifications** (visit [www.Pasternack.com](http://www.Pasternack.com) for current document)  
RoHS Compliant

**Plotted and Other Data**

Notes:

- Values at +25 °C, sea level
- UL Type: CMP, CL2P

75 Ohm Flexible RG59 Plenum Rated Coax Cable Single Shielded with White PVC Jacket from Pasternack Enterprises has same day shipment for domestic and International orders. Our RF, microwave and millimeter wave products maintain a 99% availability and are part of the broadest selection in the industry.

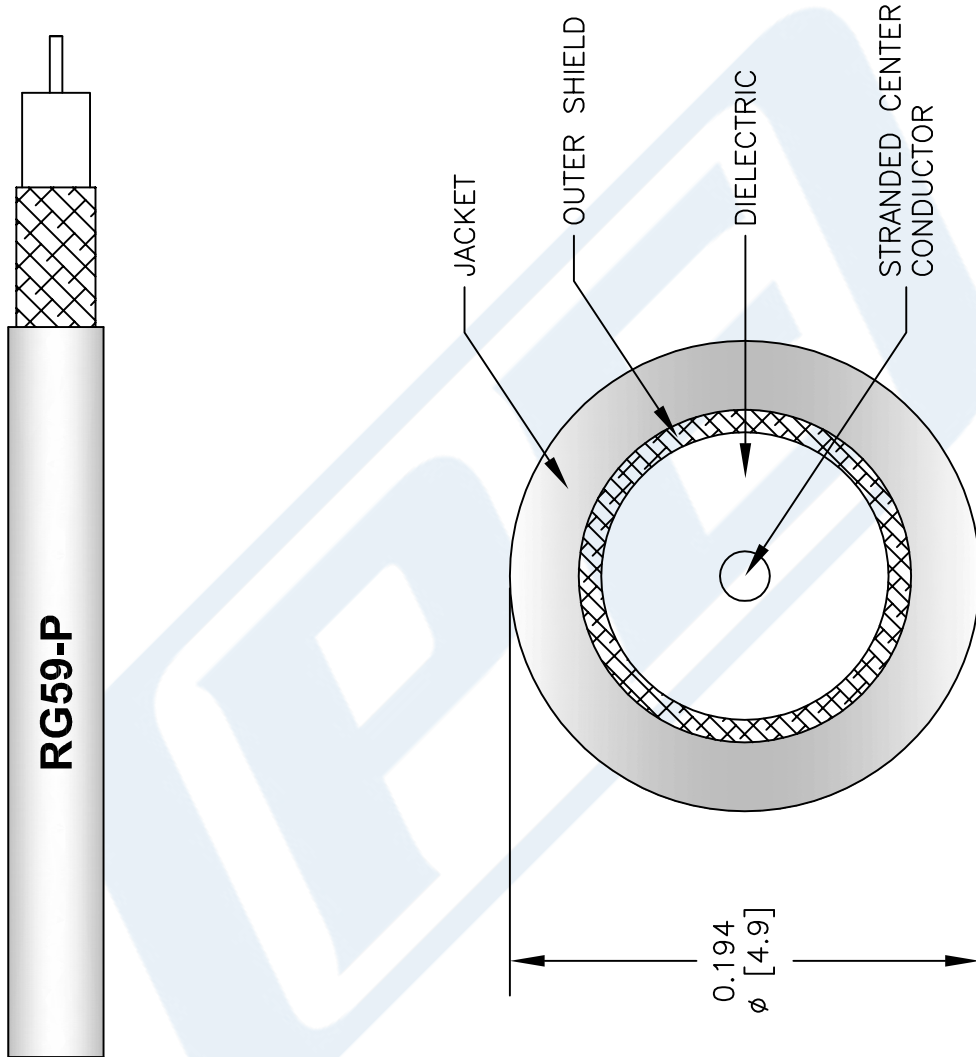
Click the following link (or enter part number in "SEARCH" on website) to obtain additional part information including price, inventory and certifications: [75 Ohm Flexible RG59 Plenum Rated Coax Cable Single Shielded with White PVC Jacket RG59-P](http://www.pasternack.com/flexible-0.194-rg59-plenum-75-ohm-coax-cable-fep-jacket-rg59-p-p.aspx)

URL: <http://www.pasternack.com/flexible-0.194-rg59-plenum-75-ohm-coax-cable-fep-jacket-rg59-p-p.aspx>

The information contained in this document is accurate to the best of our knowledge and representative of the part described herein. It may be necessary to make modifications to the part and/or the documentation of the part, in order to implement improvements. Pasternack reserves the right to make such changes as required. Unless otherwise stated, all specifications are nominal. Pasternack does not make any representation or warranty regarding the suitability of the part described herein for any particular purpose, and Pasternack does not assume any liability arising out of the use of any part or documentation.

# RG59-P CAD Drawing

75 Ohm Flexible RG59 Plenum Rated Coax Cable Single Shielded with White PVC Jacket



NOTES:  
 1. UNLESS OTHERWISE SPECIFIED ALL DIMENSIONS ARE NOMINAL.  
 2. ALL SPECIFICATIONS ARE SUBJECT TO CHANGE WITHOUT NOTICE AT ANY TIME.  
 3. DIMENSIONS ARE IN INCHES (mm).

DWG TITLE  
**RG59-P**

REV. B FSCM NO. 53919

CAD FILE 040113-B SCALE N/A SIZE A 147

**PE PASTERNAK®**  
 Pasternack Enterprises, Inc.  
 P.O. Box 16759 | Irvine | CA | 92623  
 Phone: (949) 261-1920 | Fax: (949) 261-7451  
 Website: www.pasternack.com | E-Mail: sales@pasternack.com