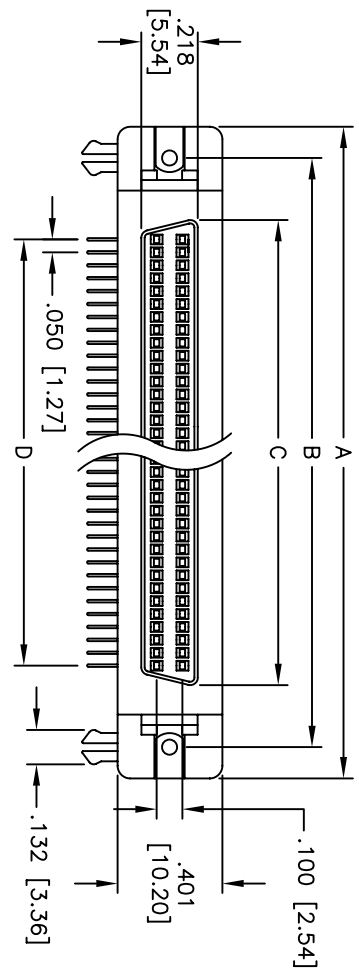
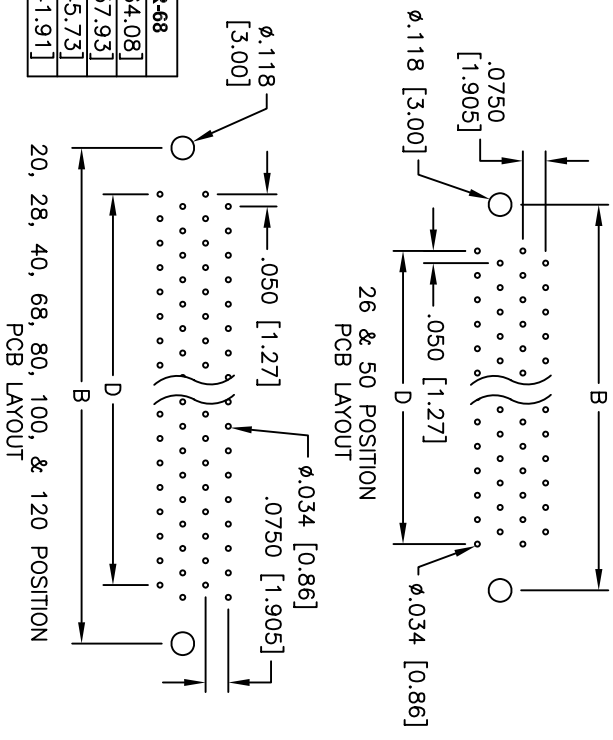
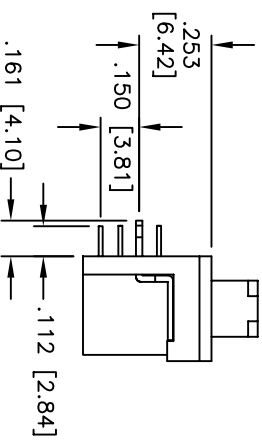
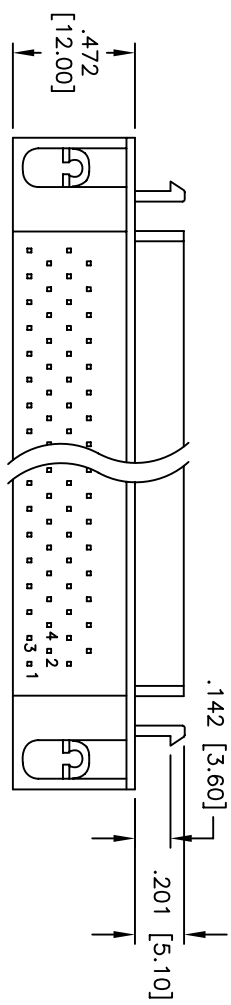


Rev	AWO #	Description	Date	Appr
-		RELEASED	5/12/05	

APPROVED: \_\_\_\_\_  
 DATE: \_\_\_\_\_ TITLE: \_\_\_\_\_



	S2A-SR-20	S2A-SR-26	S2A-SR-28	S2A-SR-40	S2A-SR-50	S2A-SR-68
A	1.323 [33.60]	1.469 [37.30]	1.523 [38.68]	1.823 [46.30]	2.073 [52.65]	2.523 [64.08]
B	1.081 [27.45]	1.228 [31.20]	1.281 [32.53]	1.581 [40.15]	1.831 [46.50]	2.281 [57.93]
C	0.600 [15.25]	0.750 [19.05]	0.800 [20.33]	1.100 [27.95]	1.350 [34.30]	1.800 [45.73]
D	0.450 [11.43]	0.600 [15.24]	0.650 [16.51]	0.950 [24.13]	1.200 [30.48]	1.650 [41.91]



	S2A-SR-80	S2A-SR-100	S2A-SR-120
A	2.823 [71.70]	3.323 [84.40]	3.823 [97.10]
B	2.581 [65.55]	3.081 [78.25]	3.581 [90.95]
C	2.100 [53.35]	2.600 [66.05]	3.100 [78.75]
D	1.950 [49.53]	2.450 [62.23]	2.950 [74.93]

UNLESS OTHERWISE SPECIFIED  
 ALL DIMENSIONS ARE INCHES [MM]  
 TOLERANCES: EXCEPT AS NOTED  
 INCHES: .X ±.10 ØXX ±.10  
 .XX ±.020 ØXXX ±.015  
 .XXX ±.015 ØXXXX ±.010  
 APPROVALS: \_\_\_\_\_ DATE: \_\_\_\_\_

TITLE: SCS1 IIII SOCKET, R/A, W/LATCH BLOCKS  
 BOARDLOCKS, #2-56 MOUNTING HOLES  
 909 Rahway Avenue, Union, NJ 07083  
 Phone: 908-687-5000 Fax: 908-687-5710

SIZE: X PART NO.: S2A-SR-XXX-3-BL-2  
 SCALE: NTS SHEET 1 OF 1

REV: \_\_\_\_\_

ADAM TECH

RECOMMENDED SOLDERING TEMP: 235°C FOR 5 SECONDS

ROHS COMPLIANT

OPERATING TEMPERATURE: -55°C TO +105°C

ENVIRONMENTAL: \_\_\_\_\_

LEAD FREE, ROHS COMPLIANT

OPERATING VOLTAGE: 250 VAC MAX

CURRENT RATING: 1 AMP MAX

CONTACT RESISTANCE: 35 MOHMS MAX

INSULATION RESISTANCE: 500 MOHMS MIN

DIELECTRIC WITHSTANDING VOLTAGE: 500 VAC FOR 1 MINUTE

TEMPERATURE RATING: \_\_\_\_\_

TIN OVER COPPER UNDERPLATE ON TAILS

ELECTRICAL: \_\_\_\_\_

MATERIAL: \_\_\_\_\_

INSULATOR: PBT, GLASS REINFORCED, RATED UL 94V-0

CONTACTS: PHOSPHOR BRONZE

METAL BACKSHELL: ZINC, NICKEL PLATED

PLATING: \_\_\_\_\_

GOLD FLUSH OVER NICKEL UNDERPLATE ON MATING AREA,

TIN OVER COPPER UNDERPLATE ON TAILS

OPERATING VOLTAGE: 250 VAC MAX

CURRENT RATING: 1 AMP MAX

CONTACT RESISTANCE: 35 MOHMS MAX

INSULATION RESISTANCE: 500 MOHMS MIN

DIELECTRIC WITHSTANDING VOLTAGE: 500 VAC FOR 1 MINUTE

TEMPERATURE RATING: \_\_\_\_\_

TIN OVER COPPER UNDERPLATE ON TAILS

ELECTRICAL: \_\_\_\_\_

MATERIAL: \_\_\_\_\_

INSULATOR: PBT, GLASS REINFORCED, RATED UL 94V-0

CONTACTS: PHOSPHOR BRONZE

METAL BACKSHELL: ZINC, NICKEL PLATED

PLATING: \_\_\_\_\_

GOLD FLUSH OVER NICKEL UNDERPLATE ON MATING AREA,

TIN OVER COPPER UNDERPLATE ON TAILS

OPERATING VOLTAGE: 250 VAC MAX

CURRENT RATING: 1 AMP MAX

CONTACT RESISTANCE: 35 MOHMS MAX

INSULATION RESISTANCE: 500 MOHMS MIN

DIELECTRIC WITHSTANDING VOLTAGE: 500 VAC FOR 1 MINUTE

TEMPERATURE RATING: \_\_\_\_\_

TIN OVER COPPER UNDERPLATE ON TAILS

ELECTRICAL: \_\_\_\_\_

MATERIAL: \_\_\_\_\_

INSULATOR: PBT, GLASS REINFORCED, RATED UL 94V-0

CONTACTS: PHOSPHOR BRONZE

METAL BACKSHELL: ZINC, NICKEL PLATED

PLATING: \_\_\_\_\_

GOLD FLUSH OVER NICKEL UNDERPLATE ON MATING AREA,

TIN OVER COPPER UNDERPLATE ON TAILS

OPERATING VOLTAGE: 250 VAC MAX

CURRENT RATING: 1 AMP MAX

CONTACT RESISTANCE: 35 MOHMS MAX

INSULATION RESISTANCE: 500 MOHMS MIN

DIELECTRIC WITHSTANDING VOLTAGE: 500 VAC FOR 1 MINUTE

TEMPERATURE RATING: \_\_\_\_\_

TIN OVER COPPER UNDERPLATE ON TAILS

ELECTRICAL: \_\_\_\_\_

MATERIAL: \_\_\_\_\_

INSULATOR: PBT, GLASS REINFORCED, RATED UL 94V-0

CONTACTS: PHOSPHOR BRONZE

METAL BACKSHELL: ZINC, NICKEL PLATED

PLATING: \_\_\_\_\_

GOLD FLUSH OVER NICKEL UNDERPLATE ON MATING AREA,

TIN OVER COPPER UNDERPLATE ON TAILS

OPERATING VOLTAGE: 250 VAC MAX

CURRENT RATING: 1 AMP MAX

CONTACT RESISTANCE: 35 MOHMS MAX

INSULATION RESISTANCE: 500 MOHMS MIN

DIELECTRIC WITHSTANDING VOLTAGE: 500 VAC FOR 1 MINUTE

TEMPERATURE RATING: \_\_\_\_\_

TIN OVER COPPER UNDERPLATE ON TAILS

ELECTRICAL: \_\_\_\_\_

MATERIAL: \_\_\_\_\_

INSULATOR: PBT, GLASS REINFORCED, RATED UL 94V-0

CONTACTS: PHOSPHOR BRONZE

METAL BACKSHELL: ZINC, NICKEL PLATED

PLATING: \_\_\_\_\_

GOLD FLUSH OVER NICKEL UNDERPLATE ON MATING AREA,

TIN OVER COPPER UNDERPLATE ON TAILS

OPERATING VOLTAGE: 250 VAC MAX

CURRENT RATING: 1 AMP MAX

CONTACT RESISTANCE: 35 MOHMS MAX

INSULATION RESISTANCE: 500 MOHMS MIN

DIELECTRIC WITHSTANDING VOLTAGE: 500 VAC FOR 1 MINUTE

TEMPERATURE RATING: \_\_\_\_\_

TIN OVER COPPER UNDERPLATE ON TAILS

ELECTRICAL: \_\_\_\_\_

MATERIAL: \_\_\_\_\_

INSULATOR: PBT, GLASS REINFORCED, RATED UL 94V-0

CONTACTS: PHOSPHOR BRONZE

METAL BACKSHELL: ZINC, NICKEL PLATED

PLATING: \_\_\_\_\_

GOLD FLUSH OVER NICKEL UNDERPLATE ON MATING AREA,

TIN OVER COPPER UNDERPLATE ON TAILS

OPERATING VOLTAGE: 250 VAC MAX

CURRENT RATING: 1 AMP MAX

CONTACT RESISTANCE: 35 MOHMS MAX

INSULATION RESISTANCE: 500 MOHMS MIN

DIELECTRIC WITHSTANDING VOLTAGE: 500 VAC FOR 1 MINUTE

TEMPERATURE RATING: \_\_\_\_\_

TIN OVER COPPER UNDERPLATE ON TAILS

ELECTRICAL: \_\_\_\_\_

MATERIAL: \_\_\_\_\_

INSULATOR: PBT, GLASS REINFORCED, RATED UL 94V-0

CONTACTS: PHOSPHOR BRONZE

METAL BACKSHELL: ZINC, NICKEL PLATED

PLATING: \_\_\_\_\_

GOLD FLUSH OVER NICKEL UNDERPLATE ON MATING AREA,

TIN OVER COPPER UNDERPLATE ON TAILS

OPERATING VOLTAGE: 250 VAC MAX

CURRENT RATING: 1 AMP MAX

CONTACT RESISTANCE: 35 MOHMS MAX

INSULATION RESISTANCE: 500 MOHMS MIN

DIELECTRIC WITHSTANDING VOLTAGE: 500 VAC FOR 1 MINUTE

TEMPERATURE RATING: \_\_\_\_\_

TIN OVER COPPER UNDERPLATE ON TAILS

ELECTRICAL: \_\_\_\_\_

MATERIAL: \_\_\_\_\_

INSULATOR: PBT, GLASS REINFORCED, RATED UL 94V-0

CONTACTS: PHOSPHOR BRONZE

METAL BACKSHELL: ZINC, NICKEL PLATED

PLATING: \_\_\_\_\_

GOLD FLUSH OVER NICKEL UNDERPLATE ON MATING AREA,

TIN OVER COPPER UNDERPLATE ON TAILS

OPERATING VOLTAGE: 250 VAC MAX

CURRENT RATING: 1 AMP MAX

CONTACT RESISTANCE: 35 MOHMS MAX

INSULATION RESISTANCE: 500 MOHMS MIN

DIELECTRIC WITHSTANDING VOLTAGE: 500 VAC FOR 1 MINUTE

TEMPERATURE RATING: \_\_\_\_\_

TIN OVER COPPER UNDERPLATE ON TAILS

ELECTRICAL: \_\_\_\_\_

MATERIAL: \_\_\_\_\_

INSULATOR: PBT, GLASS REINFORCED, RATED UL 94V-0

CONTACTS: PHOSPHOR BRONZE

METAL BACKSHELL: ZINC, NICKEL PLATED

PLATING: \_\_\_\_\_

GOLD FLUSH OVER NICKEL UNDERPLATE ON MATING AREA,

TIN OVER COPPER UNDERPLATE ON TAILS

OPERATING VOLTAGE: 250 VAC MAX

CURRENT RATING: 1 AMP MAX

CONTACT RESISTANCE: 35 MOHMS MAX

INSULATION RESISTANCE: 500 MOHMS MIN

DIELECTRIC WITHSTANDING VOLTAGE: 500 VAC FOR 1 MINUTE

TEMPERATURE RATING: \_\_\_\_\_

TIN OVER COPPER UNDERPLATE ON TAILS

ELECTRICAL: \_\_\_\_\_

MATERIAL: \_\_\_\_\_

INSULATOR: PBT, GLASS REINFORCED, RATED UL 94V-0

CONTACTS: PHOSPHOR BRONZE

METAL BACKSHELL: ZINC, NICKEL PLATED

PLATING: \_\_\_\_\_

GOLD FLUSH OVER NICKEL UNDERPLATE ON MATING AREA,

TIN OVER COPPER UNDERPLATE ON TAILS

OPERATING VOLTAGE: 250 VAC MAX

CURRENT RATING: 1 AMP MAX

CONTACT RESISTANCE: 35 MOHMS MAX

INSULATION RESISTANCE: 500 MOHMS MIN

DIELECTRIC WITHSTANDING VOLTAGE: 500 VAC FOR 1 MINUTE

TEMPERATURE RATING: \_\_\_\_\_

TIN OVER COPPER UNDERPLATE ON TAILS

ELECTRICAL: \_\_\_\_\_

MATERIAL: \_\_\_\_\_

INSULATOR: PBT, GLASS REINFORCED, RATED UL 94V-0

CONTACTS: PHOSPHOR BRONZE

METAL BACKSHELL: ZINC, NICKEL PLATED

PLATING: \_\_\_\_\_

GOLD FLUSH OVER NICKEL UNDERPLATE ON MATING AREA,

TIN OVER COPPER UNDERPLATE ON TAILS

OPERATING VOLTAGE: 250 VAC MAX

CURRENT RATING: 1 AMP MAX

CONTACT RESISTANCE: 35 MOHMS MAX

INSULATION RESISTANCE: 500 MOHMS MIN

DIELECTRIC WITHSTANDING VOLTAGE: 500 VAC FOR 1 MINUTE

TEMPERATURE RATING: \_\_\_\_\_

TIN OVER COPPER UNDERPLATE ON TAILS

ELECTRICAL: \_\_\_\_\_

MATERIAL: \_\_\_\_\_

INSULATOR: PBT, GLASS REINFORCED, RATED UL 94V-0

CONTACTS: PHOSPHOR BRONZE

METAL BACKSHELL: ZINC, NICKEL PLATED

PLATING: \_\_\_\_\_

GOLD FLUSH OVER NICKEL UNDERPLATE ON MATING AREA,

TIN OVER COPPER UNDERPLATE ON TAILS

OPERATING VOLTAGE: 250 VAC MAX

CURRENT RATING: 1 AMP MAX

CONTACT RESISTANCE: 35 MOHMS MAX

INSULATION RESISTANCE: 500 MOHMS MIN

DIELECTRIC WITHSTANDING VOLTAGE: 500 VAC FOR 1 MINUTE

TEMPERATURE RATING: \_\_\_\_\_

TIN OVER COPPER UNDERPLATE ON TAILS

ELECTRICAL: \_\_\_\_\_

MATERIAL: \_\_\_\_\_

INSULATOR: PBT, GLASS REINFORCED, RATED UL 94V-0

CONTACTS: PHOSPHOR BRONZE

METAL BACKSHELL: ZINC, NICKEL PLATED

PLATING: \_\_\_\_\_

GOLD FLUSH OVER NICKEL UNDERPLATE ON MATING AREA,

TIN OVER COPPER UNDERPLATE ON TAILS

OPERATING VOLTAGE: 250 VAC MAX

CURRENT RATING: 1 AMP MAX

CONTACT RESISTANCE: 35 MOHMS MAX

INSULATION RESISTANCE: 500 MOHMS MIN

DIELECTRIC WITHSTANDING VOLTAGE: 500 VAC FOR 1 MINUTE