

## High Voltage 3-Phase Motor Drivers

### Features and Benefits

- Built-in pre-drive IC and 3 bootstrap diodes as a high-side drive power supply
- CMOS compatible input (3.3 to 5 V)
- High-side gate driver using bootstrap circuit or floating power supply
- One pin for 7.5 V regulator output
- Built-in protection circuit for controlling power supply voltage drop
- Built-in overheat detection circuit (TD)
- Output of fault signal during operation of protection circuit
- Output current 1.5, 2, or 2.5 A
- Small SIP (SMA 24-pin)

### Packages: Power SIP



### Description

The SMA6820MH inverter power module (IPM) series provides a robust, highly-integrated solution for optimally controlling 3-phase motor power inverter systems and variable speed control systems used in energy-conserving designs to drive motors of residential and commercial appliances. These ICs take 230 VAC input voltage, and up to 2.5 A (continuous) output current. They can withstand voltages of up to 500 V (MOSFET breakdown voltage).

The SMA6820MH power package includes an IC with all of the necessary power elements (six MOSFETs) and pre-driver ICs (two) needed to configure the main circuit of an inverter. This enables the main circuit of the inverter to be configured with fewer external components than traditional designs.

Applications include residential white goods (home applications) and commercial appliance motor control:

- Air conditioner fan
- Small ventilation fan
- Dishwasher pump

### Functional Block Diagram

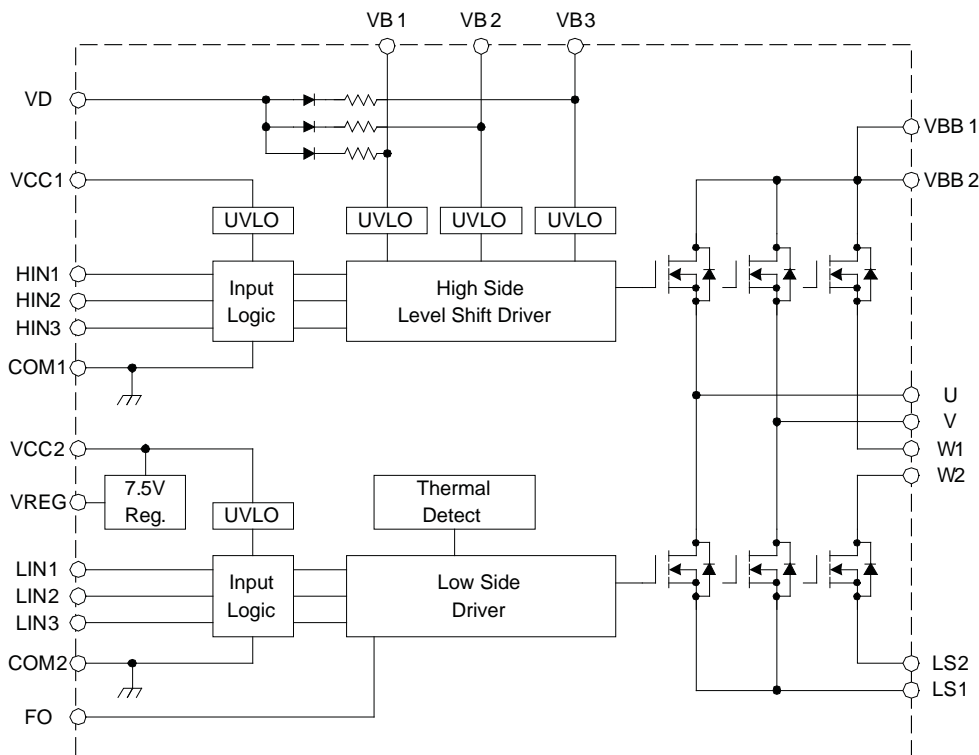


Figure 1. Driver block diagrams.

## Selection Guide

Part Number	MOSFET Breakdown Voltage, $V_{DSS}(\text{min})$ (V)	Output Current	
		Continuous, $I_O(\text{max})$ (A)	Pulsed, $I_{OP}(\text{max})$ (A)
SMA6821MH	250	2	3
SMA6822MH	500	1.5	2.25
SMA6823MH	500	2.5	3.75

Absolute Maximum Ratings, valid at  $T_A = 25^\circ\text{C}$ 

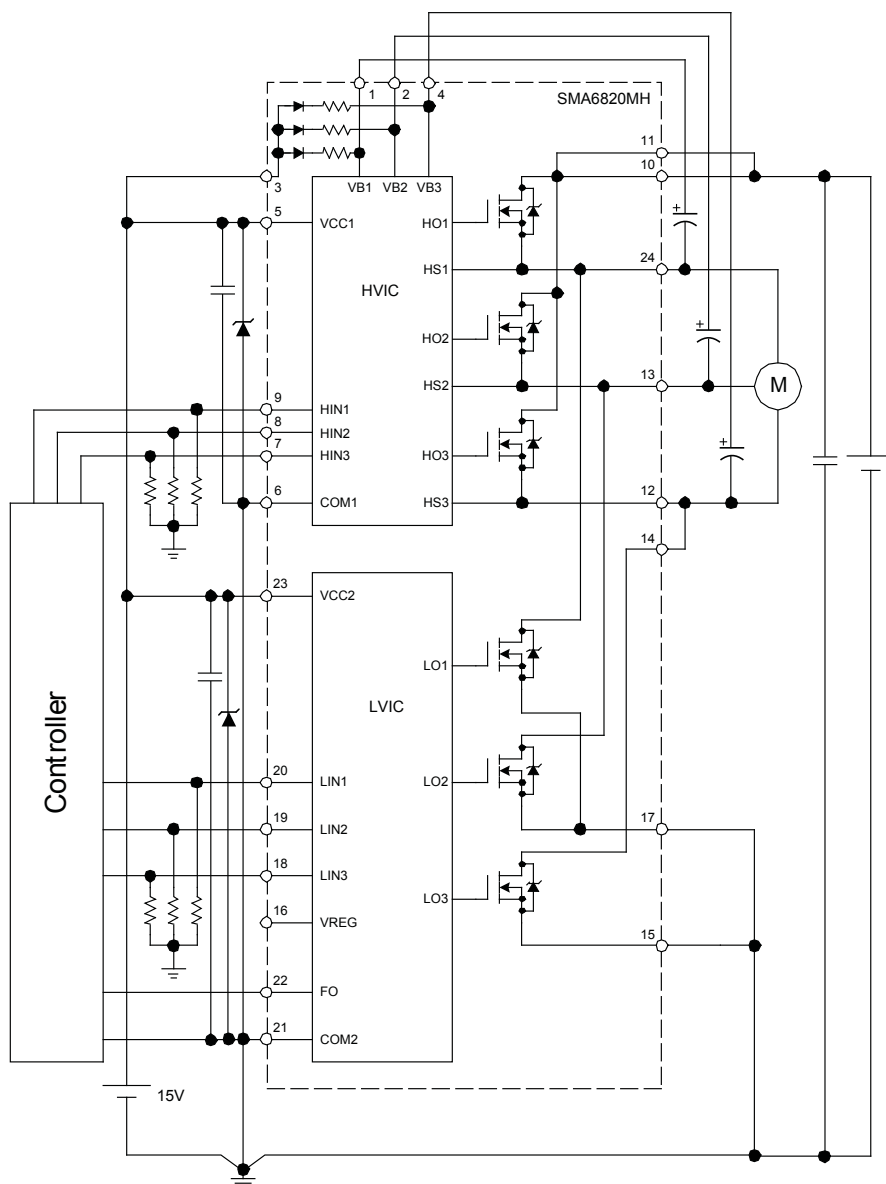
Characteristic	Symbol	Remarks	Rating	Unit	
MOSFET Breakdown Voltage	$V_{DSS}$	SMA6821MH	$V_{CC} = 15\text{ V}$ , $I_D = 100\ \mu\text{A}$ , $V_{IN} = 0\text{ V}$	250	V
		SMA6822MH		500	V
		SMA6823MH		500	V
Logic Supply Voltage	$V_{CC}$	Between VCC and COM	20	V	
Bootstrap Voltage	$V_{BS}$	Between VB and HS (U,V, and W phases)	20	V	
Output Current, Continuous	$I_O$	SMA6821MH	$T_C = 25^\circ\text{C}$	2	A
		SMA6822MH		1.5	A
		SMA6823MH		2.5	A
Output Current, Pulsed	$I_{OP}$	SMA6821MH	$PW \leq 100\ \mu\text{s}$ , duty cycle = 1%	3	A
		SMA6822MH		2.25	A
		SMA6823MH		3.75	A
Output Current for Regulator	$I_{REG}$		35	mA	
Input Voltage	$V_{IN}$	HINx and LINx pins	-0.5 to 7	V	
Allowable Power Dissipation	$P_D$	$T_C = 25^\circ\text{C}$	28	W	
Thermal Resistance (Junction to Case)	$R_{\theta JC}$	All elements operating	4.46	$^\circ\text{C}/\text{W}$	
Thermal Resistance (Junction to Air)	$R_{\theta JA}$	All elements operating	31.25	$^\circ\text{C}/\text{W}$	
Case Operating Temperature	$T_{COP}$		-20 to 100	$^\circ\text{C}$	
Junction Temperature (MOSFET)	$T_J$		150	$^\circ\text{C}$	
Storage Temperature	$T_{stg}$		-40 to 150	$^\circ\text{C}$	

## Recommended Operating Conditions

Characteristic	Symbol	Remarks	Min.	Typ.	Max.	Units	
Main Supply Voltage	$V_{BB}$	SMA6821MH	Between $V_{BB}$ and LS	-	150	200	V
		SMA6822MH		-	300	400	V
		SMA6823MH		-	300	400	V
Logic Supply Voltage	$V_{CC}$	Between VCC and COM	13.5	-	16.5	V	
Dead Time	$t_{dead}$		1.5	-	-	$\mu\text{s}$	
Minimum Input Pulse Width	$t_{Nmin}$		0.5	-	-	$\mu\text{s}$	

All performance characteristics given are typical values for circuit or system baseline design only and are at the nominal operating voltage and an ambient temperature,  $T_A$ , of  $25^\circ\text{C}$ , unless otherwise stated.

## Typical Application Diagram



## NOTE:

- All of the input pins are connected to GND with internal pull-down resistors rated at 100 k $\Omega$ , however, an external pull-down resistor may be required to secure stable condition of the inputs if high impedance conditions are applied to them.
- The external electrolytic capacitors should be placed as close to the IC as possible, in order to avoid malfunctions from external noise interference. Put a ceramic capacitor in parallel with the electrolytic capacitor if further reduction of noise susceptibility is necessary.

ELECTRICAL CHARACTERISTICS, valid at  $T_A=25^{\circ}\text{C}$ , unless otherwise noted

Characteristics	Symbol	Conditions	Min	Typ	Max	Units	
Logic Supply Voltage	$V_{CC}$	Between VCC and COM	13.5	15	16.5	V	
Logic Supply Current	$I_{CC}$	$V_{CC} = 15\text{ V}$ , $I_{REG} = 0\text{ A}$	–	4	6	mA	
Input Voltage	$V_{IH}$	$V_{CC} = 15\text{ V}$ , output on	–	2.0	2.5	V	
	$V_{IL}$	$V_{CC} = 15\text{ V}$ , output off	1.0	1.5	–	V	
Input Voltage Hysteresis	$V_{Ihys}$	$V_{CC} = 15\text{ V}$	–	0.5	–	V	
Input Current	$I_{IH}$	High side, $V_{CC} = 15\text{ V}$ , $V_{IN} = 5\text{ V}$	–	50	100	$\mu\text{A}$	
	$I_{IL}$	Low side, $V_{CC} = 15\text{ V}$ , $V_{IN} = 0\text{ V}$	–	–	2	$\mu\text{A}$	
Undervoltage Lock Out	$V_{UVHL}$	High side, between VBx and U, V, or W	9.0	10.0	11.0	V	
	$V_{UVHH}$		9.5	10.5	11.5	V	
	$V_{UVHhys}$	High side, hysteresis	–	0.5	–	V	
	$V_{UVLL}$	Low side, between VCC2 and COM2	10.0	11.0	12.0	V	
	$V_{UVLH}$		10.5	11.5	12.5	V	
	$V_{UVLhys}$	Low side, hysteresis	–	0.5	–	V	
FO Terminal Output Voltage	$V_{FOL}$	$V_{CC} = 15\text{ V}$	0	–	1.0	V	
	$V_{FOH}$		4.0	–	5.5	V	
Overtemperature Detection Threshold Temperature (Activation and Deactivation)	$T_{DH}$	$V_{CC} = 15\text{ V}$ , no heatsink	135	150	165	$^{\circ}\text{C}$	
	$T_{DL}$		105	120	135	$^{\circ}\text{C}$	
	$T_{Dhys}$		–	30	–	$^{\circ}\text{C}$	
Output Voltage for Regulator	$V_{REG}$	$I_{REG} = 35\text{ mA}$	6.75	7.5	8.25	V	
Bootstrap Diode Leakage Current	$I_{LBD}$	SMA6821MH $V_R = 250\text{ V}$	–	–	10	$\mu\text{A}$	
		SMA6822MH $V_R = 500\text{ V}$	–	–	10	$\mu\text{A}$	
		SMA6823MH $V_R = 500\text{ V}$	–	–	10	$\mu\text{A}$	
Bootstrap Diode Forward Voltage	$V_{FBD}$	$I_F = 0.15\text{ A}$	–	1.1	1.3	V	
Bootstrap Diode Series Resistor	$R_{BD}$		17.6	22	26.4	$\Omega$	
MOSFET Breakdown Voltage	$V_{DSS}$	SMA6821MH	$V_{CC} = 15\text{ V}$ , $I_D = 100\text{ }\mu\text{A}$ , $V_{IN} = 0\text{ V}$	250	–	–	V
		SMA6822MH		500	–	–	V
		SMA6823MH		500	–	–	V
MOSFET Leakage Current	$I_{DSS}$	SMA6821MH	$V_{CC} = 15\text{ V}$ , $V_{DS} = 250\text{ V}$ , $V_{IN} = 0\text{ V}$	–	–	100	$\mu\text{A}$
		SMA6822MH	$V_{CC} = 15\text{ V}$ , $V_{DS} = 500\text{ V}$ , $V_{IN} = 0\text{ V}$	–	–	100	$\mu\text{A}$
		SMA6823MH	$V_{CC} = 15\text{ V}$ , $V_{DS} = 500\text{ V}$ , $V_{IN} = 0\text{ V}$	–	–	100	$\mu\text{A}$
MOSFET On State Resistance	$R_{DS(on)}$	SMA6821MH	$V_{CC} = 15\text{ V}$ , $I_D = 1.0\text{ A}$ , $V_{IN} = 5\text{ V}$	–	1.25	1.5	$\Omega$
		SMA6822MH	$V_{CC} = 15\text{ V}$ , $I_D = 0.75\text{ A}$ , $V_{IN} = 5\text{ V}$	–	3.6	4	$\Omega$
		SMA6823MH	$V_{CC} = 15\text{ V}$ , $I_D = 1.25\text{ A}$ , $V_{IN} = 5\text{ V}$	–	2.0	2.4	$\Omega$
MOSFET Diode Forward Voltage	$V_{SD}$	SMA6821MH	$V_{CC} = 15\text{ V}$ , $I_{SD} = 1.0\text{ A}$ , $V_{IN} = 0\text{ V}$	–	1.1	1.5	V
		SMA6822MH	$V_{CC} = 15\text{ V}$ , $I_{SD} = 0.75\text{ A}$ , $V_{IN} = 0\text{ V}$	–	1.1	1.5	V
		SMA6823MH	$V_{CC} = 15\text{ V}$ , $I_{SD} = 1.25\text{ A}$ , $V_{IN} = 0\text{ V}$	–	1.1	1.5	V

SMA6821MH SWITCHING CHARACTERISTICS, valid at  $T_A=25^\circ\text{C}$ , unless otherwise noted

Characteristics	Symbol	Conditions	Min	Typ	Max	Units
Switching Time, High Side	$t_{dH(on)}$	$V_{BB} = 150\text{ V}, V_{CC} = 15\text{ V}, I_D = 1\text{ A}, 0\text{ V} \leq V_{IN} \leq 5\text{ V}$	-	430	-	ns
	$t_{rH}$		-	55	-	ns
	$t_{dH(off)}$		-	355	-	ns
	$t_{fH}$		-	20	-	ns
Switching Time, Low Side	$t_{dL(on)}$	$V_{BB} = 150\text{ V}, V_{CC} = 15\text{ V}, I_D = 1\text{ A}, 0\text{ V} \leq V_{IN} \leq 5\text{ V}$	-	405	-	ns
	$t_{rL}$		-	60	-	ns
	$t_{dL(off)}$		-	395	-	ns
	$t_{fL}$		-	20	-	ns

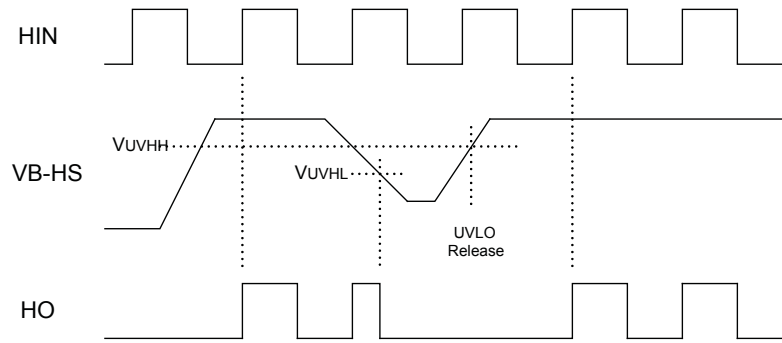
SMA6822MH SWITCHING CHARACTERISTICS, valid at  $T_A=25^\circ\text{C}$ , unless otherwise noted

Characteristics	Symbol	Conditions	Min	Typ	Max	Units
Switching Time, High Side	$t_{dH(on)}$	$V_{BB} = 300\text{ V}, V_{CC} = 15\text{ V}, I_D = 0.75\text{ A}, 0\text{ V} \leq V_{IN} \leq 5\text{ V}$	-	485	-	ns
	$t_{rH}$		-	85	-	ns
	$t_{dH(off)}$		-	420	-	ns
	$t_{fH}$		-	30	-	ns
Switching Time, Low Side	$t_{dL(on)}$	$V_{BB} = 300\text{ V}, V_{CC} = 15\text{ V}, I_D = 0.75\text{ A}, 0\text{ V} \leq V_{IN} \leq 5\text{ V}$	-	520	-	ns
	$t_{rL}$		-	100	-	ns
	$t_{dL(off)}$		-	485	-	ns
	$t_{fL}$		-	25	-	ns

SMA6823MH SWITCHING CHARACTERISTICS, valid at  $T_A=25^\circ\text{C}$ , unless otherwise noted

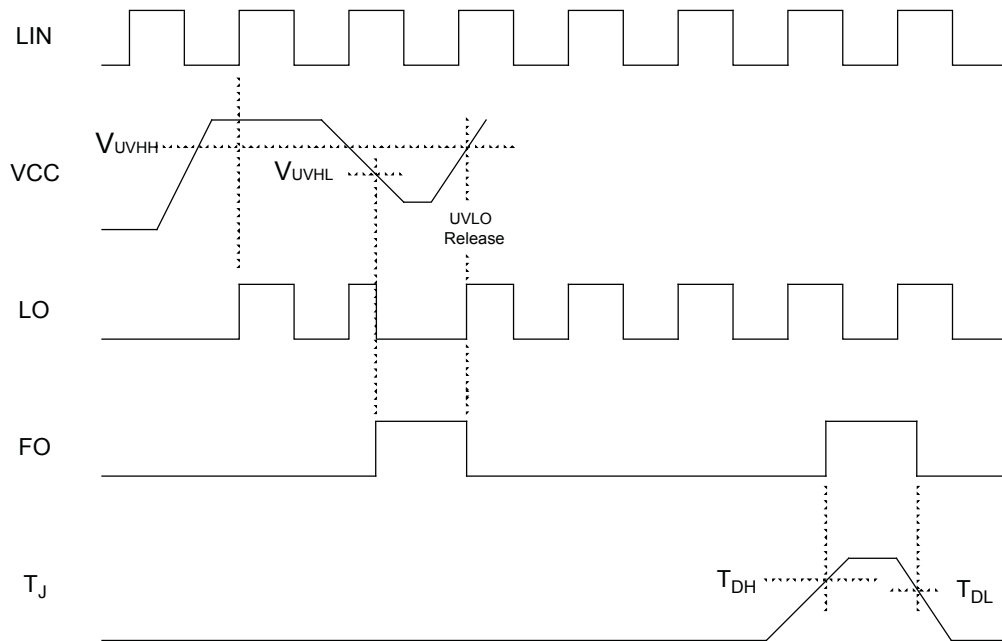
Characteristics	Symbol	Conditions	Min	Typ	Max	Units
Switching Time, High Side	$t_{dH(on)}$	$V_{BB} = 300\text{ V}, V_{CC} = 15\text{ V}, I_D = 1.25\text{ A}, 0\text{ V} \leq V_{IN} \leq 5\text{ V}$	-	665	-	ns
	$t_{rH}$		-	145	-	ns
	$t_{dH(off)}$		-	545	-	ns
	$t_{fH}$		-	40	-	ns
Switching Time, Low Side	$t_{dL(on)}$	$V_{BB} = 300\text{ V}, V_{CC} = 15\text{ V}, I_D = 1.25\text{ A}, 0\text{ V} \leq V_{IN} \leq 5\text{ V}$	-	720	-	ns
	$t_{rL}$		-	175	-	ns
	$t_{dL(off)}$		-	605	-	ns
	$t_{fL}$		-	45	-	ns

High Side Driver Input/Output Timing Diagrams

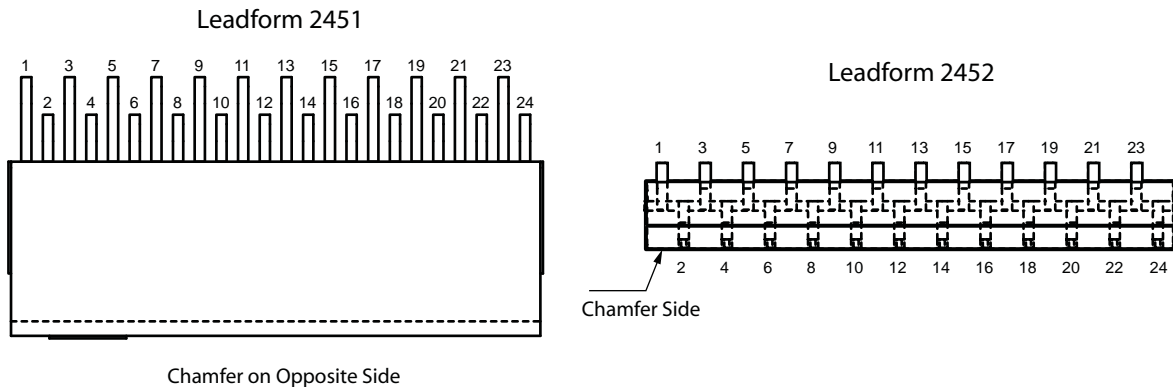


After UVLO is released, IC operation is started by the first rising edge of input

Low Side Driver Input/Output Timing Diagrams



## Pin-out Diagrams

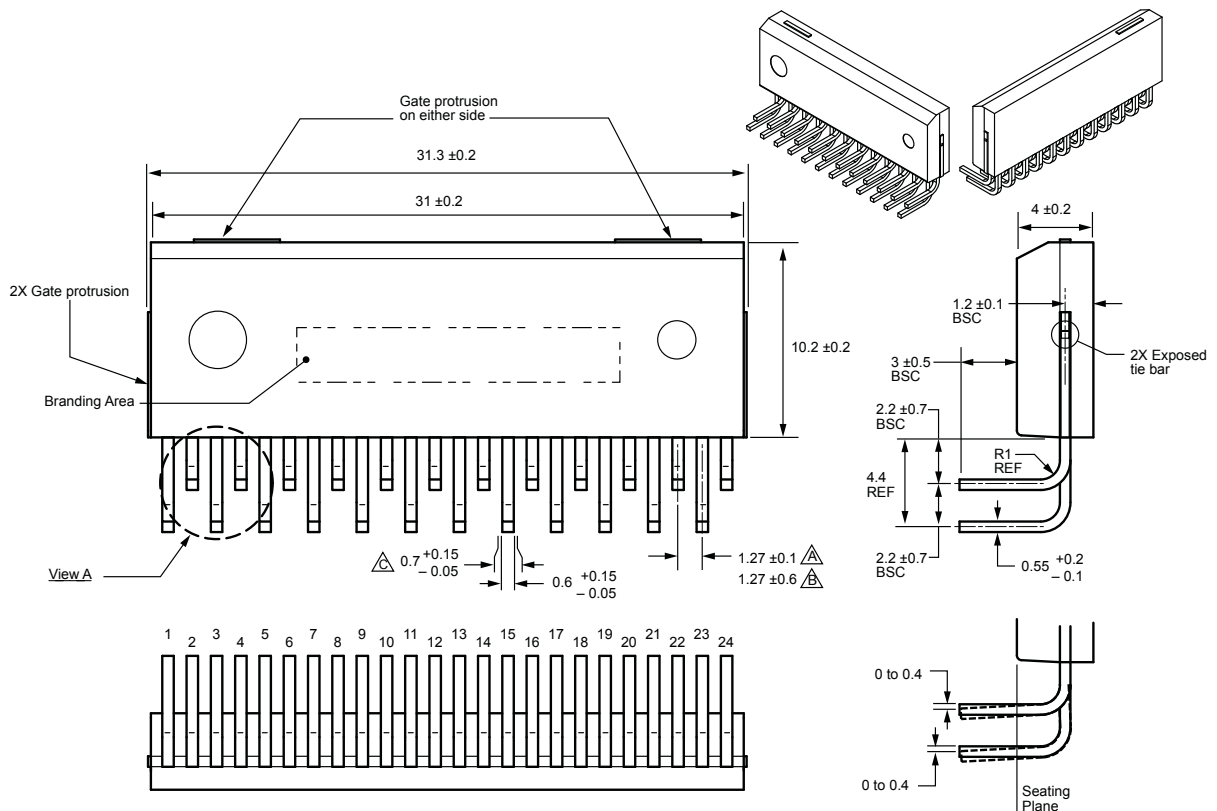


## Terminal List Table

Number	Name	Function
1	VB1	High side bootstrap terminal (U phase)
2	VB2	High side bootstrap terminal (V phase)
3	VD	Bootstrap diode anode terminal
4	VB3	High side bootstrap terminal (W phase)
5	VCC1	High side logic supply voltage
6	COM1	High side logic GND terminal
7	HIN3	High side input terminal (W phase)
8	HIN2	High side input terminal (V phase)
9	HIN1	High side input terminal (U phase)
10	VBB1	Main supply voltage 1 (connect to VBB2 externally)
11	VBB2	Main supply voltage 2 (connect to VBB1 externally)
12	W1	Output of W phase (connect to W2 externally)
13	V	Output of V phase
14	W2	Output of W phase (connect to W1 externally)
15	LS2	Low side source terminal (connect to LS1 externally)
16	VREG	Internal regulator output terminal
17	LS1	Low side source terminal (connect to LS2 externally)
18	LIN3	Low side input terminal (W phase)
19	LIN2	Low side input terminal (V phase)
20	LIN1	Low side input terminal (U phase)
21	COM2	Low side GND terminal
22	FO	Overtemperature and low-side UVLO fault-signal output
23	VCC2	Low side logic supply voltage
24	U	Output of U phase

Package Outline Drawing  
Leadform 2451

Dual rows, 24 alternating pins; pins bent 90° for horizontal case mounting; pin #1 in outer row



- △ Measured at pin exit from case
- △ Measured at pin tips
- △ Maximum dambar protrusion

Leadform: 2451  
Terminal core material: Cu  
Terminal plating: Ni and solder (Sn 97.5%, Ag 2.5%) plating  
Case material: Epoxy resin

Dimensions in millimeters

Branding codes (exact appearance at manufacturer discretion):

Front Branding Area

1st line, lot: YMDDR

Where: Y is the last digit of the year of manufacture

M is the month (1 to 9, O, N, D)

DD is the date

R is the Sanken Reference Number

2nd line, type: SMA682xMH

Back Branding Area

1st line, subtype: x

Where: x matches x in the type brand on front

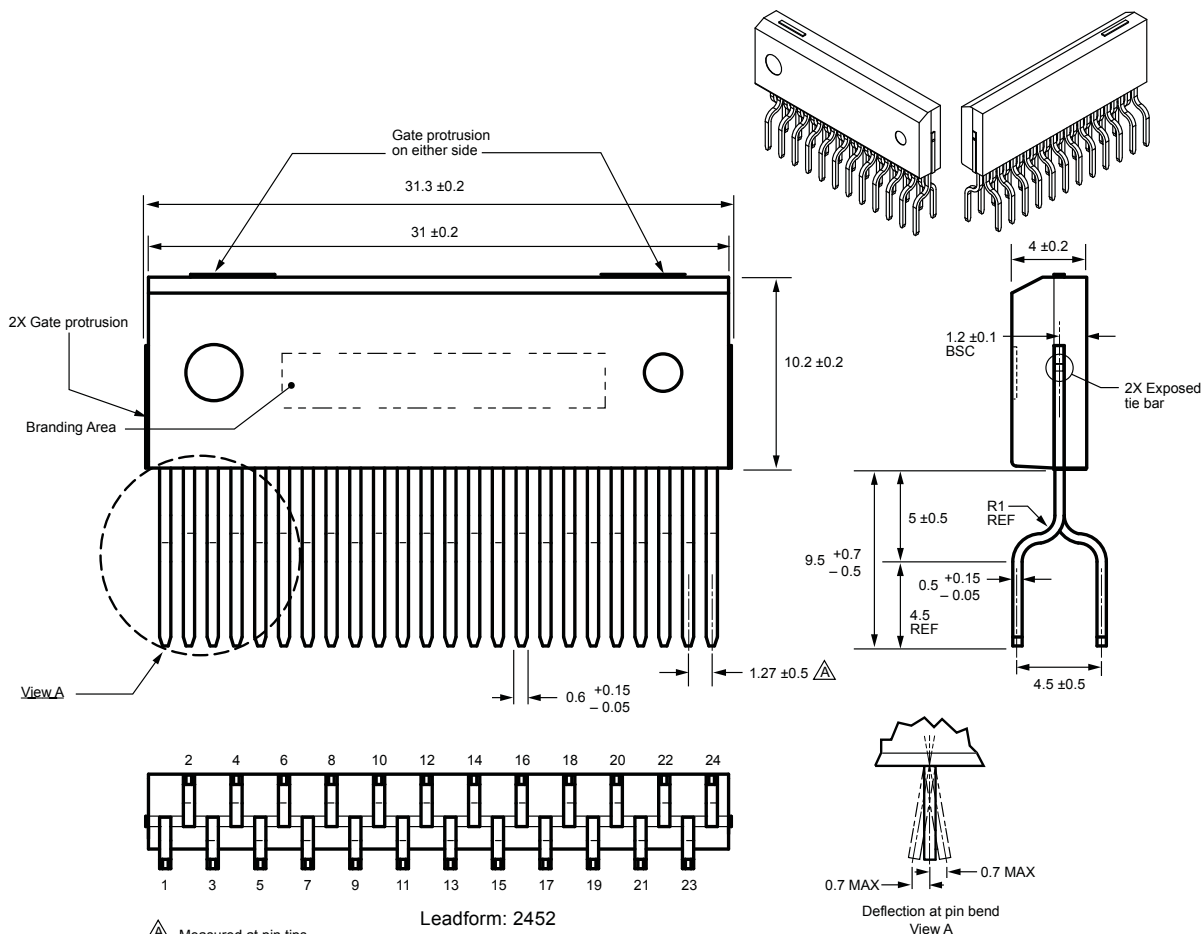


Leadframe plating Pb-free. Device composition complies with the RoHS directive.



Package Outline Drawing  
Leadform 2452

Dual rows, 24 alternating pins; vertical case mounting; pin #1 opposite chamfer side



△ Measured at pin tips

Leadform: 2452  
Terminal core material: Cu  
Terminal plating: Ni  
Recommended attachment: Solder dip (Sn-Ag-Cu)

Dimensions in millimeters

Branding codes (exact appearance at manufacturer discretion):

Front Branding Area

1st line, lot: YMDDR

Where: Y is the last digit of the year of manufacture

M is the month (1 to 9, O, N, D)

DD is the date

R is the Sanken Reference Number

2nd line, type: SMA682xMH

Back Branding Area

1st line, subtype: x

Where: x matches x in the type brand on front



Leadframe plating Pb-free. Device composition complies with the RoHS directive.

Because reliability can be affected adversely by improper storage environments and handling methods, please observe the following cautions.

#### **Cautions for Storage**

- Ensure that storage conditions comply with the standard temperature (5°C to 35°C) and the standard relative humidity (around 40 to 75%); avoid storage locations that experience extreme changes in temperature or humidity.
- Avoid locations where dust or harmful gases are present and avoid direct sunlight.
- Reinspect for rust on leads and solderability of products that have been stored for a long time.

#### **Cautions for Testing and Handling**

When tests are carried out during inspection testing and other standard test periods, protect the products from power surges from the testing device, shorts between adjacent products, and shorts to the heatsink.

#### **Remarks About Using Silicone Grease with a Heatsink**

- When silicone grease is used in mounting this product on a heatsink, it shall be applied evenly and thinly. If more silicone grease than required is applied, it may produce stress.
- Volatile-type silicone greases may permeate the product and produce cracks after long periods of time, resulting in reduced heat radiation effect, and possibly shortening the lifetime of the product.
- Our recommended silicone greases for heat radiation purposes, which will not cause any adverse effect on the product life, are indicated below:

Type	Suppliers
G746	Shin-Etsu Chemical Co., Ltd.
YG6260	Momentive Performance Materials
SC102	Dow Corning Toray Silicone Co., Ltd.

#### **Soldering**

- When soldering the products, please be sure to minimize the working time, within the following limits:  
260±5°C 10 s  
380±10°C 5 s
- Soldering iron should be at a distance of at least 1.5 mm from the body of the products

#### **Electrostatic Discharge**

- When handling the products, operator must be grounded. Grounded wrist straps worn should have at least 1 MΩ of resistance to ground to prevent shock hazard.
- Workbenches where the products are handled should be grounded and be provided with conductive table and floor mats.
- When using measuring equipment such as a curve tracer, the equipment should be grounded.
- When soldering the products, the head of soldering irons or the solder bath must be grounded in order to prevent leak voltages generated by them from being applied to the products.
- The products should always be stored and transported in our shipping containers or conductive containers, or be wrapped in aluminum foil.

- 
- The contents in this document are subject to changes, for improvement and other purposes, without notice. Make sure that this is the latest revision of the document before use.
  - Application and operation examples described in this document are quoted for the sole purpose of reference for the use of the products herein and Sanken can assume no responsibility for any infringement of industrial property rights, intellectual property rights or any other rights of Sanken or any third party which may result from its use.
  - Although Sanken undertakes to enhance the quality and reliability of its products, the occurrence of failure and defect of semiconductor products at a certain rate is inevitable. Users of Sanken products are requested to take, at their own risk, preventative measures including safety design of the equipment or systems against any possible injury, death, fires or damages to the society due to device failure or malfunction.
  - Sanken products listed in this document are designed and intended for the use as components in general purpose electronic equipment or apparatus (home appliances, office equipment, telecommunication equipment, measuring equipment, etc.).

When considering the use of Sanken products in the applications where higher reliability is required (transportation equipment and its control systems, traffic signal control systems or equipment, fire/crime alarm systems, various safety devices, etc.), and whenever long life expectancy is required even in general purpose electronic equipment or apparatus, please contact your nearest Sanken sales representative to discuss, prior to the use of the products herein.

The use of Sanken products without the written consent of Sanken in the applications where extremely high reliability is required (aerospace equipment, nuclear power control systems, life support systems, etc.) is strictly prohibited.

- In the case that you use Sanken products or design your products by using Sanken products, the reliability largely depends on the degree of derating to be made to the rated values. Derating may be interpreted as a case that an operation range is set by derating the load from each rated value or surge voltage or noise is considered for derating in order to assure or improve the reliability. In general, derating factors include electric stresses such as electric voltage, electric current, electric power etc., environmental stresses such as ambient temperature, humidity etc. and thermal stress caused due to self-heating of semiconductor products. For these stresses, instantaneous values, maximum values and minimum values must be taken into consideration.

In addition, it should be noted that since power devices or IC's including power devices have large self-heating value, the degree of derating of junction temperature affects the reliability significantly.

- When using the products specified herein by either (i) combining other products or materials therewith or (ii) physically, chemically or otherwise processing or treating the products, please duly consider all possible risks that may result from all such uses in advance and proceed therewith at your own responsibility.
- Anti radioactive ray design is not considered for the products listed herein.
- Sanken assumes no responsibility for any troubles, such as dropping products caused during transportation out of Sanken's distribution network.
- The contents in this document must not be transcribed or copied without Sanken's written consent.