



128Kx16 SRAM/FLASH MODULE, SMD 5962-96900

FEATURES

- Access Times of 35ns (SRAM) and 70ns (FLASH)
- Access Times of 70ns (SRAM) and 120ns (FLASH)
- Packaging
 - 66-pin, PGA Type, 1.075 inch square HIP, Hermetic Ceramic HIP (Package 400)
 - 66-pin, PGA Type, 1.185 inch square HIP, Hermetic Ceramic HIP (Package 401)
 - 68 lead, Hermetic CQFP (G1U)¹, 22.4mm (0.880 inch) square (Package 519). Designed to fit JEDEC 68 lead 0.990" CQFJ footprint (FIGURE 2)
 - 68 lead, Hermetic CQFP (G1T), 22.4mm (0.880 inch) square (Package 524)
- 128Kx16 SRAM
- 128Kx16 5V FLASH
- Organized as 128Kx16 of SRAM and 128Kx16 of Flash Memory with separate Data Buses
- Both blocks of memory are User Configurable as 256Kx8
- Low Power CMOS
- Commercial, Industrial and Military Temperature Ranges

- TTL Compatible Inputs and Outputs
- Built-in Decoupling Caps and Multiple Ground Pins for Low Noise Operation
- Weight
 - WSF128K16-XHX — 13 grams typical
 - WSF128K16-H1X — 13 grams typical
 - WSF128K16-XG1UX¹ — 5 grams typical
 - WSF128K16-XG1TX — 5 grams typical

FLASH MEMORY FEATURES

- 10,000 Erase/Program Cycles
- Sector Architecture
 - 8 equal size sectors of 16K bytes each
 - Any combination of sectors can be concurrently erased. Also supports full chip erase
- 5 Volt Programming; 5V ± 10% Supply
- Embedded Erase and Program Algorithms
- Hardware Write Protection
- Page Program Operation and Internal Program Control Time.

Note: For programming information refer to Flash Programming 1M5 Application Note.
 Note 1: Package not recommended for new designs

FIGURE1 PIN CONFIGURATION FOR WSF128K16-XHX AND WSF128K16-XH1X

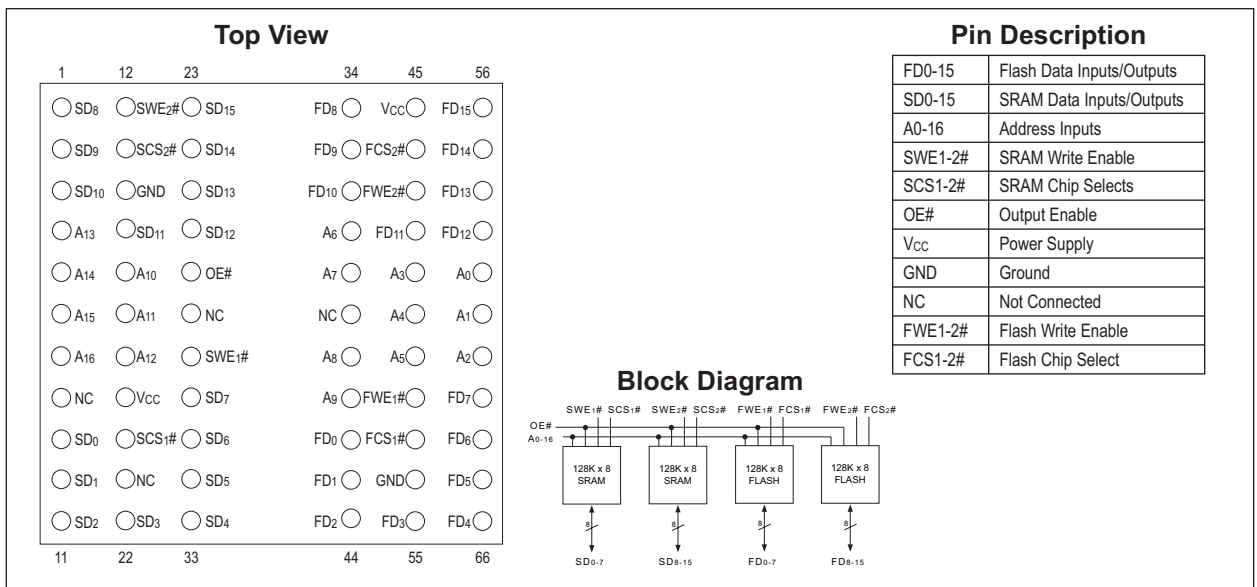
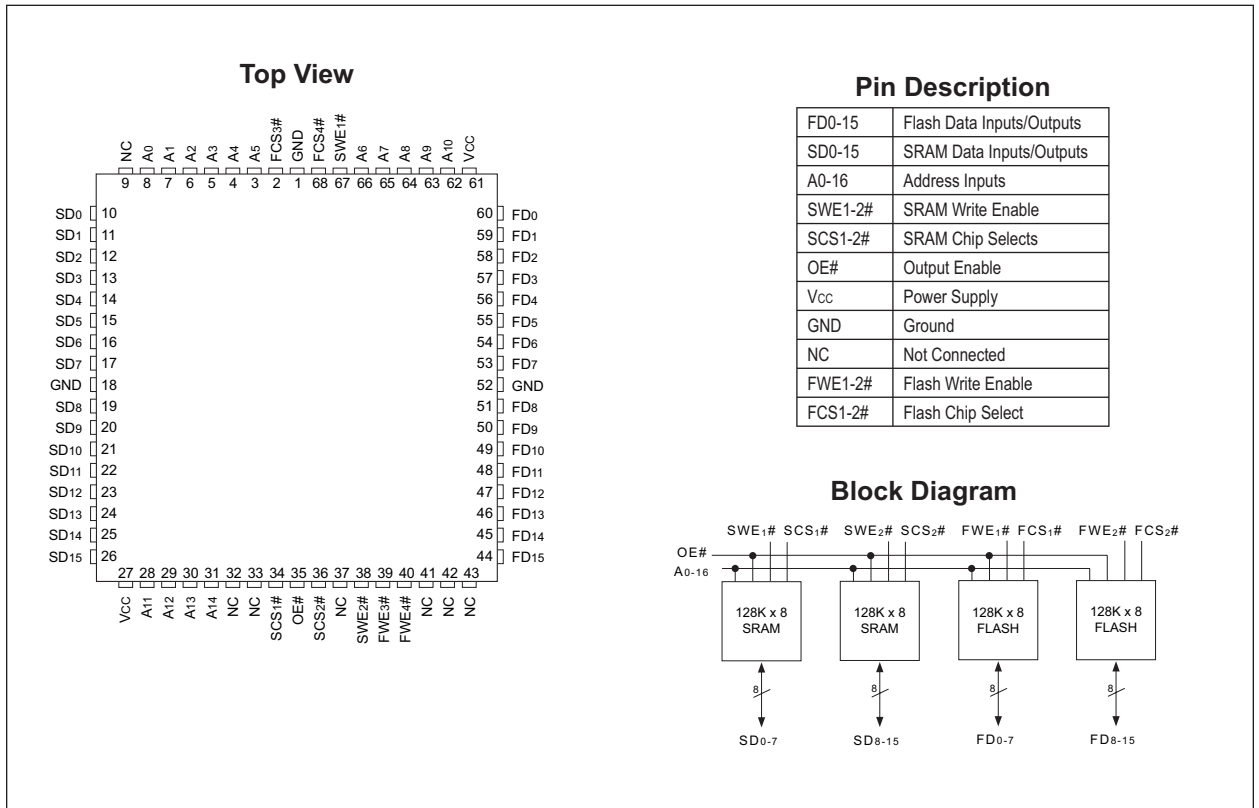




FIGURE 2 – PIN CONFIGURATION FOR WSF128K16-XG1UX¹, WSF128K16-XG1TX



NOTE 1: Package not recommended for new designs



ABSOLUTE MAXIMUM RATINGS

Parameter	Symbol	Min	Max	Unit
Operating Temperature	T _A	-55	+125	°C
Storage Temperature	T _{STG}	-65	+150	°C
Signal Voltage Relative to GND	V _G	-0.5	7.0	V
Junction Temperature	T _J		150	°C
Supply Voltage	V _{CC}	-0.5	7.0	V

Parameter	Min	Max
Flash Data Retention		10 years
Flash Endurance (write/erase cycles)		10,000

NOTES: 1. Stresses above the absolute maximum rating may cause permanent damage to the device. Extended operation at the maximum levels may degrade performance and affect reliability.

SRAM TRUTH TABLE

SCS#	OE#	SWE#	Mode	Data I/O	Power
H	X	X	Standby	High Z	Standby
L	L	H	Read	Data Out	Active
L	H	H	Read	High Z	Active
L	X	L	Write	Data In	Active

CAPACITANCE

T_A = +25°C

Test	Symbol	Condition	Max	Unit
OE# Capacitance	C _{OE}	V _{IN} = 0V, f = 1.0MHz	50	pF
F/S WE1-2# Capacitance	C _{WE}	V _{IN} = 0V, f = 1.0MHz	20	pF
F/S CS1-2# Capacitance	C _{CS}	V _{IN} = 0V, f = 1.0MHz	20	pF
SD0-15/FD0-15 Capacitance	C _{I/O}	V _{IN} = 0V, f = 1.0MHz	20	pF
A0 - A16 Capacitance	C _{AD}	V _{IN} = 0V, f = 1.0MHz	50	pF

This parameter is guaranteed by design but not tested.

RECOMMENDED OPERATING CONDITIONS

Parameter	Symbol	Min	Max	Unit
Supply Voltage	V _{CC}	4.5	5.5	V
Input High Voltage	V _{IH}	2.2	V _{CC} + 0.3	V
Input Low Voltage	V _{IL}	-0.5	+0.8	V

DC CHARACTERISTICS

V_{CC} = 5.0V, V_{SS} = 0V, -55°C ≤ T_A ≤ +125°C

Parameter	Symbol	Conditions	Min	Max	Unit
Input Leakage Current	I _{LI}	V _{CC} = 5.5, V _{IN} = GND to V _{CC}		10	μA
Output Leakage Current	I _{LO}	SCS# = V _{IH} , OE# = V _{IH} , V _{OUT} = GND to V _{CC}		10	μA
SRAM Operating Supply Current x 16 Mode	I _{CCx16}	SCS# = V _{IL} , OE# = FCS# = V _{IH} , f = 5MHz, V _{CC} = 5.5		360	mA
Standby Current	I _{SB}	FCS# = SCS# = V _{IH} , OE# = V _{IH} , f = 5MHz, V _{CC} = 5.5		40	mA
SRAM Output Low Voltage	V _{OL}	I _{OL} = 2.1mA, V _{CC} = 4.5		0.4	V
SRAM Output High Voltage	V _{OH}	I _{OH} = -1.0mA, V _{CC} = 4.5	2.4		V
Flash V _{CC} Active Current for Read (1)	I _{CC1}	FCS# = V _{IL} , OE# = SCS# = V _{IH}		100	mA
Flash V _{CC} Active Current for Program or Erase (2)	I _{CC2}	FCS# = V _{IL} , OE# = SCS# = V _{IH}		130	mA
Flash Output Low Voltage	V _{OL}	I _{OL} = 8.0mA, V _{CC} = 4.5		0.45	V
Flash Output High Voltage	V _{OH1}	I _{OH} = -2.5 mA, V _{CC} = 4.5	0.85 x V _{CC}		V
Flash Output High Voltage	V _{OH2}	I _{OH} = -100 μA, V _{CC} = 4.5	V _{CC} - 0.4		V
Flash Low V _{CC} Lock Out Voltage	V _{LKO}		3.2		V

NOTES:

- The ICC current listed includes both the DC operating current and the frequency dependent component (@ 5 MHz). The frequency component typically is less than 2 mA/MHz, with OE# at V_{IH}.
- ICC active while Embedded Algorithm (program or erase) is in progress.
- DC test conditions: V_{IL} = 0.3V, V_{IH} = V_{CC} - 0.3V



SRAM AC CHARACTERISTICS

$V_{CC} = 5.0V, -55^{\circ}C \leq T_A \leq +125^{\circ}C$

Parameter Read Cycle	Symbol	-35		-70		Unit
		Min	Max	Min	Max	
Read Cycle Time	t_{RC}	35		70		ns
Address Access Time	t_{AA}		35		70	ns
Output Hold from Address Change	t_{OH}	0		3		ns
Chip Select Access Time	t_{ACS}		35		70	ns
Output Enable to Output Valid	t_{OE}		20		35	ns
Chip Select to Output in Low Z	t_{CLZ}^1	3		3		ns
Output Enable to Output in Low Z	t_{OLZ}^1	0		0		ns
Chip Disable to Output in High Z	t_{CHZ}^1		20		25	ns
Output Disable to Output in High Z	t_{OHZ}^1		20		25	ns

1. This parameter is guaranteed by design but not tested.

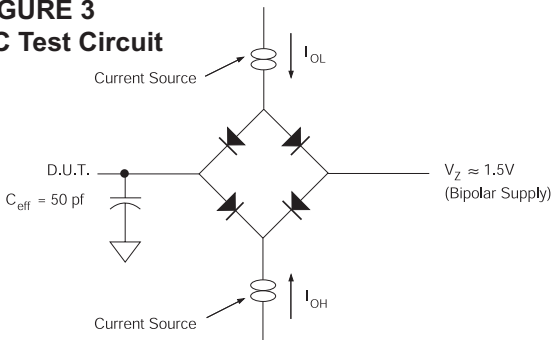
SRAM AC CHARACTERISTICS

$V_{CC} = 5.0V, -55^{\circ}C \leq T_A \leq +125^{\circ}C$

Parameter Write Cycle	Symbol	-35		-70		Unit
		Min	Max	Min	Max	
Write Cycle Time	t_{WC}	35		70		ns
Chip Select to End of Write	t_{CW}	25		60		ns
Address Valid to End of Write	t_{AW}	25		60		ns
Data Valid to End of Write	t_{DW}	20		30		ns
Write Pulse Width	t_{WP}	25		50		ns
Address Setup Time	t_{AS}	0		5		ns
Address Hold Time	t_{AH}	0		5		ns
Output Active from End of Write	t_{OW1}	4		5		ns
Write Enable to Output in High Z	t_{WHZ1}		20		25	ns
Data Hold from Write Time	t_{DH}	0		0		ns

1. This parameter is guaranteed by design but not tested.

**FIGURE 3
AC Test Circuit**



AC TEST CONDITIONS

Parameter	Typ	Unit
Input Pulse Levels	$V_{IL} = 0, V_{IH} = 3.0$	V
Input Rise and Fall	5	ns
Input and Output Reference Level	1.5	V
Output Timing Reference Level	1.5	V

Notes: V_Z is programmable from -2V to +7V.
 I_{OL} & I_{OH} programmable from 0 to 16mA.
 Tester Impedance $Z_0 = 75\Omega$.
 V_Z is typically the midpoint of V_{OH} and V_{OL} .
 I_{OL} & I_{OH} are adjusted to simulate a typical resistive load circuit.
 ATE tester includes jig capacitance.



FIGURE 4 – SRAM TIMING WAVEFORM — READ CYCLE

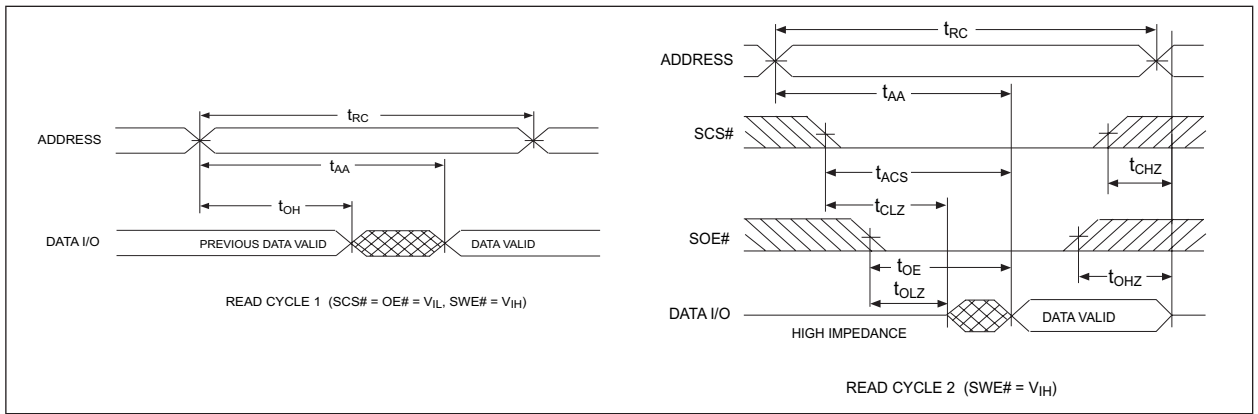


FIGURE 5 – SRAM WRITE CYCLE — SWE# CONTROLLED

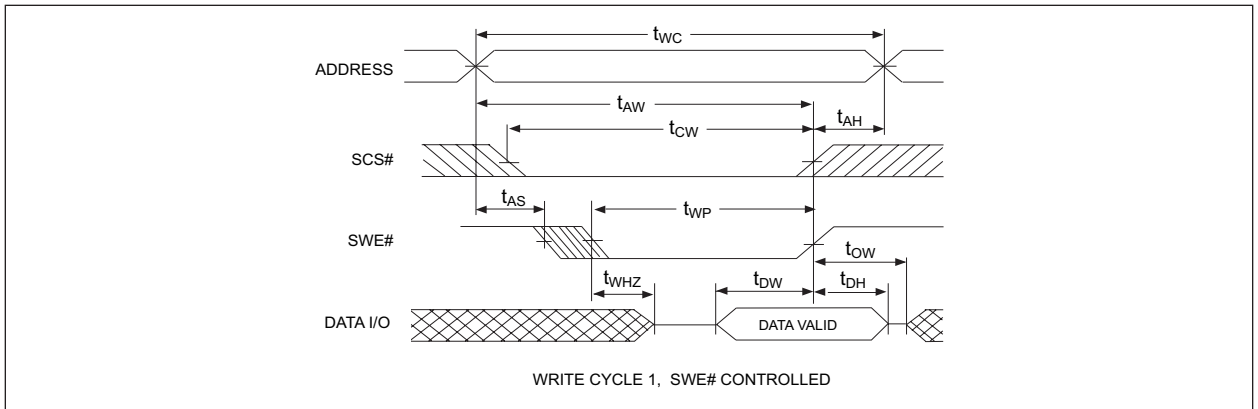
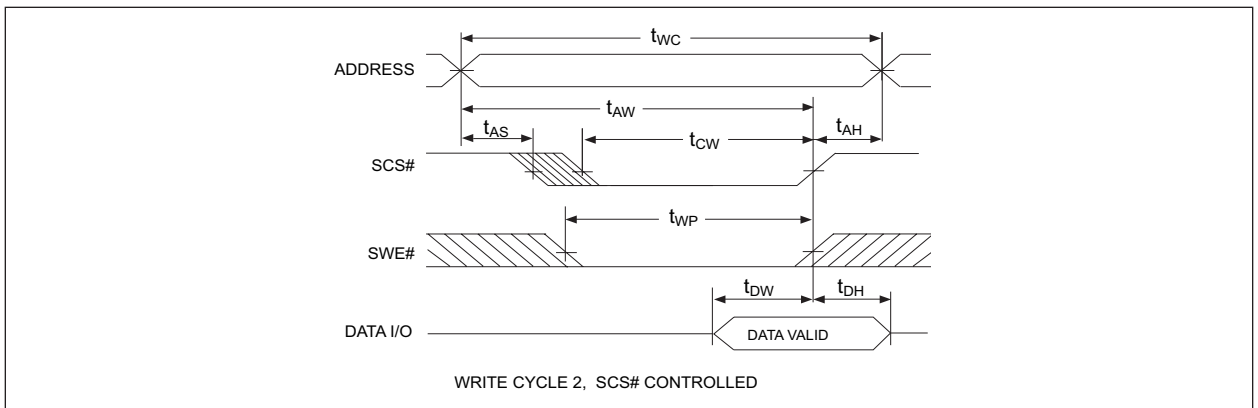


FIGURE 6 – SRAM WRITE CYCLE — SCS# CONTROLLED





FLASH AC CHARACTERISTICS – WRITE/ERASE/PROGRAM OPERATIONS, FWE# CONTROLLED

V_{CC} = 5.0V, -55°C ≤ T_A ≤ +125°C

Parameter	Symbol		-70		-120		Unit
			Min	Max	Min	Max	
Write Cycle Time	t _{AVAV}	t _{WC}	70		120		ns
Chip Select Setup Time	t _{ELWL}	t _{CS}	0		0		ns
Write Enable Pulse Width	t _{WLWH}	t _{WP}	35		50		ns
Address Setup Time	t _{AVWL}	t _{AS}	0		0		ns
Data Setup Time	t _{DVWH}	t _{DS}	30		50		ns
Data Hold Time	t _{WHDX}	t _{DH}	0		0		ns
Address Hold Time	t _{WLAX}	t _{AH}	45		50		ns
Chip Select Hold Time	t _{WHEH}	t _{CH}	0		0		ns
Write Enable Pulse Width High	t _{WHWL}	t _{WPH}	20		20		ns
Duration of Byte Programming Operation (min)	t _{WHWH1}		14		14		μs
Chip and Sector Erase Time	t _{WHWH2}		2.2	60	2.2	60	sec
Read Recovery Time Before Write	t _{GHWL}		0		0		μs
V _{CC} Set-up Time		t _{VCS}	50		50		μs
Chip Programming Time				12.5		12.5	sec
Output Enable Setup Time		t _{OES}	0		0		ns
Output Enable Hold Time (1)		t _{OEH}	10		10		ns

1. For Toggle and Data# Polling.

FLASH AC CHARACTERISTICS – READ ONLY OPERATIONS

V_{CC} = 5.0V, -55°C ≤ T_A ≤ +125°C

Parameter	Symbol		-70		-120		Unit
			Min	Max	Min	Max	
Read Cycle Time	t _{AVAV}	t _{RC}	70		120		ns
Address Access Time	t _{AVQV}	t _{ACC}		70		120	ns
Chip Select Access Time	t _{ELQV}	t _{CE}		70		120	ns
OE# to Output Valid	t _{GLQV}	t _{OE}		35		50	ns
Chip Select to Output High Z (1)	t _{EHQZ}	t _{DF}		20		30	ns
OE# High to Output High Z (1)	t _{GHQZ}	t _{DF}		20		30	ns
Output Hold from Address, CS# or OE# Change, whichever is first	t _{AXQX}	t _{OH}	0		0		ns

1. Guaranteed by design, not tested.



FLASH AC CHARACTERISTICS – WRITE/ERASE/PROGRAM OPERATIONS, FCS# CONTROLLED

$V_{CC} = 5.0V, -55^{\circ}C \leq T_A \leq +125^{\circ}C$

Parameter	Symbol		-70		-120		Unit
			Min	Max	Min	Max	
Write Cycle Time	t _{AVAV}	t _{WC}	70		120		ns
Fwe# Setup Time	t _{WLLEL}	t _{WS}	0		0		ns
Fcs# Pulse Width	t _{ELEH}	t _{CP}	35		50		ns
Address Setup Time	t _{AVEL}	t _{AS}	0		0		ns
Data Setup Time	t _{DVEH}	t _{DS}	30		50		ns
Data Hold Time	t _{EHDX}	t _{DH}	0		0		ns
Address Hold Time	t _{ELAX}	t _{AH}	45		50		ns
Fwe# Hold From Fwe# High	t _{EHWH}	t _{WH}	0		0		ns
Fcs# Pulse Width High	t _{EHEL}	t _{CPH}	20		20		ns
Duration Of Programming Operation	t _{WHWH1}		14		14		μs
Duration Of Erase Operation	t _{WHWH2}		2.2	60	2.2	60	sec
Read Recovery Before Write	t _{GHLEL}		0		0		ns
Chip Programming Time				12.5		12.5	sec



FIGURE 7 – AC WAVEFORMS FOR FLASH MEMORY READ OPERATIONS

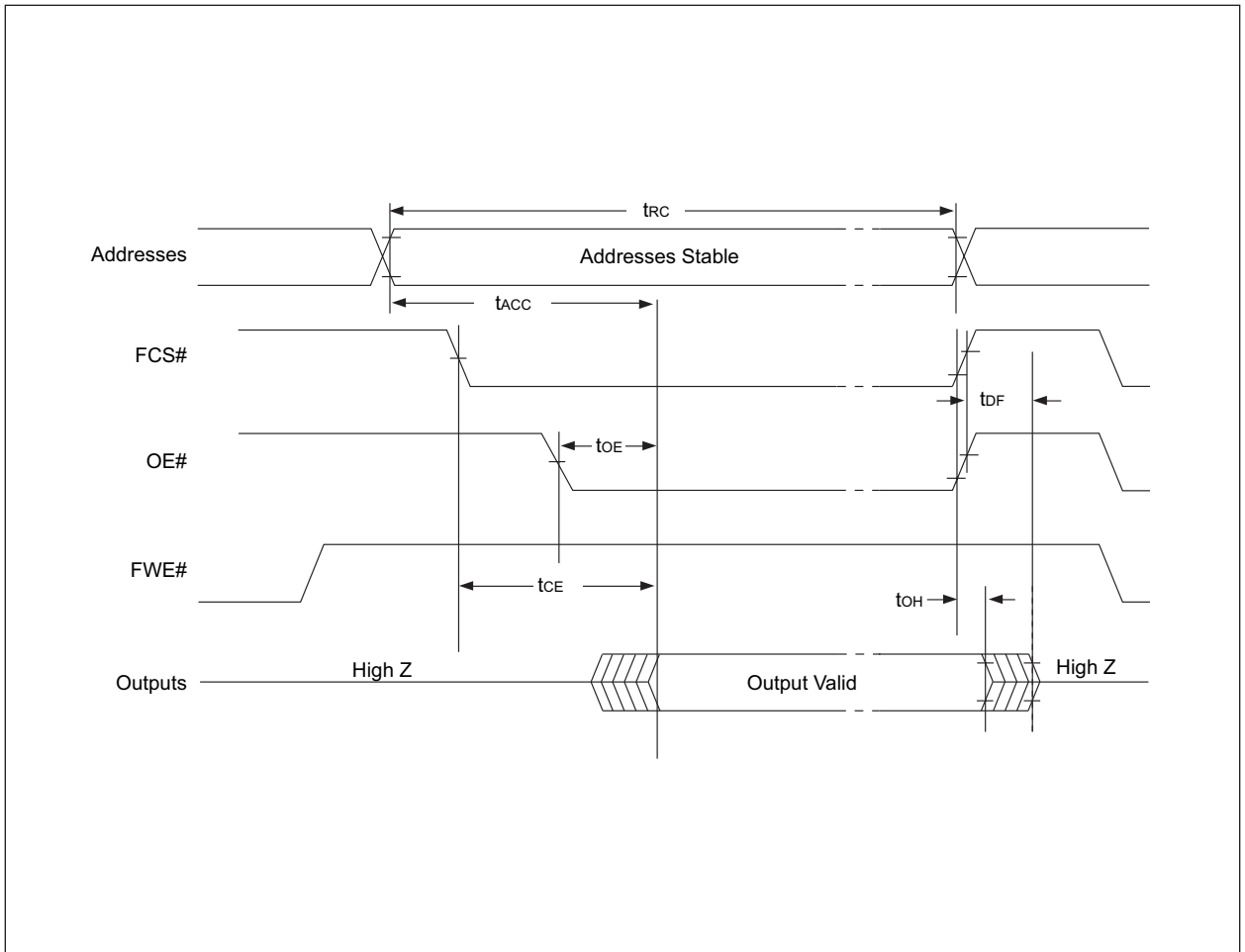
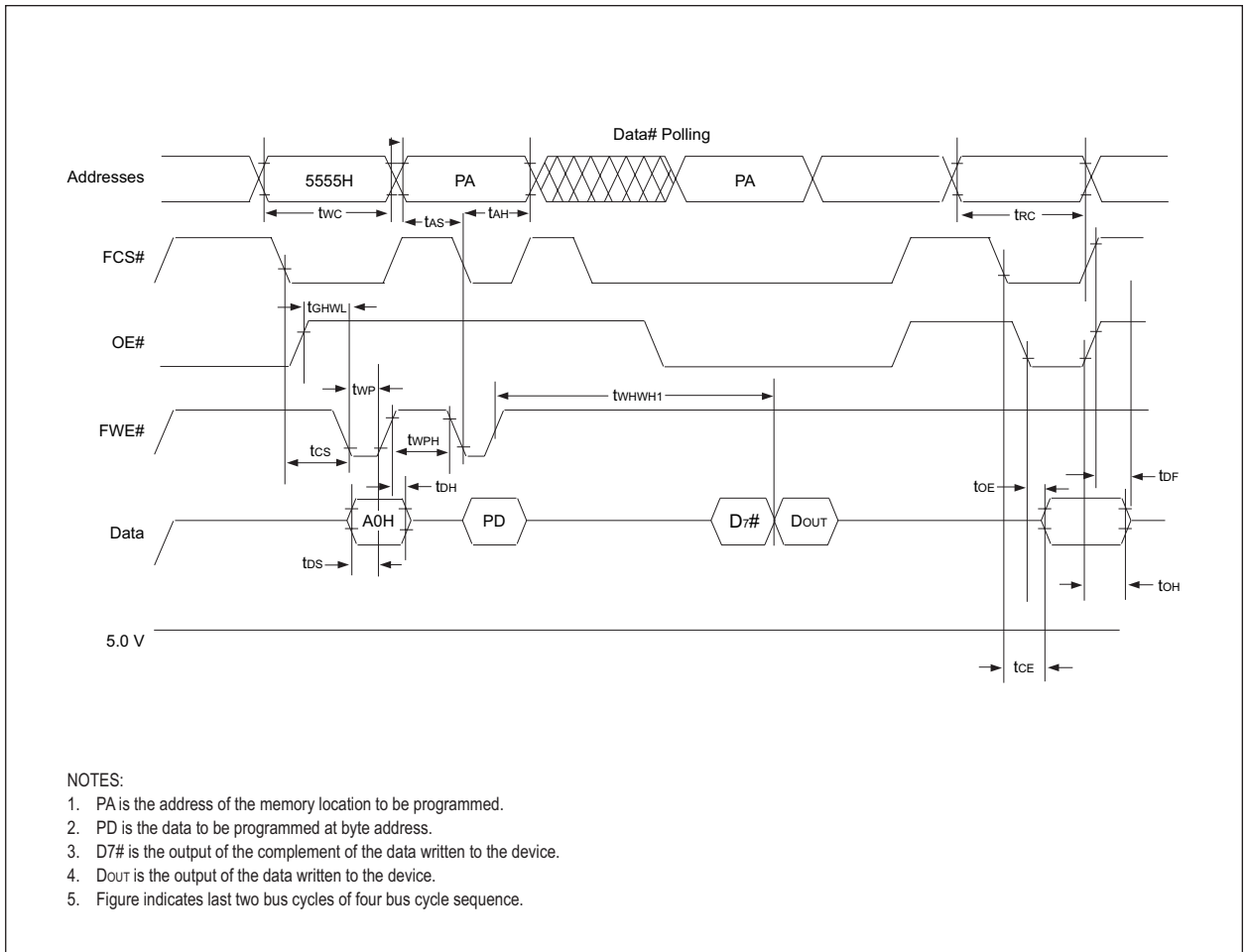




FIGURE 8 – WRITE/ERASE/PROGRAM OPERATION, FLASH MEMORY FWE# CONTROLLED



NOTES:

1. PA is the address of the memory location to be programmed.
2. PD is the data to be programmed at byte address.
3. D7# is the output of the complement of the data written to the device.
4. DOUT is the output of the data written to the device.
5. Figure indicates last two bus cycles of four bus cycle sequence.



FIGURE 9 – AC WAVEFORMS CHIP/SECTOR ERASE OPERATIONS FOR FLASH MEMORY

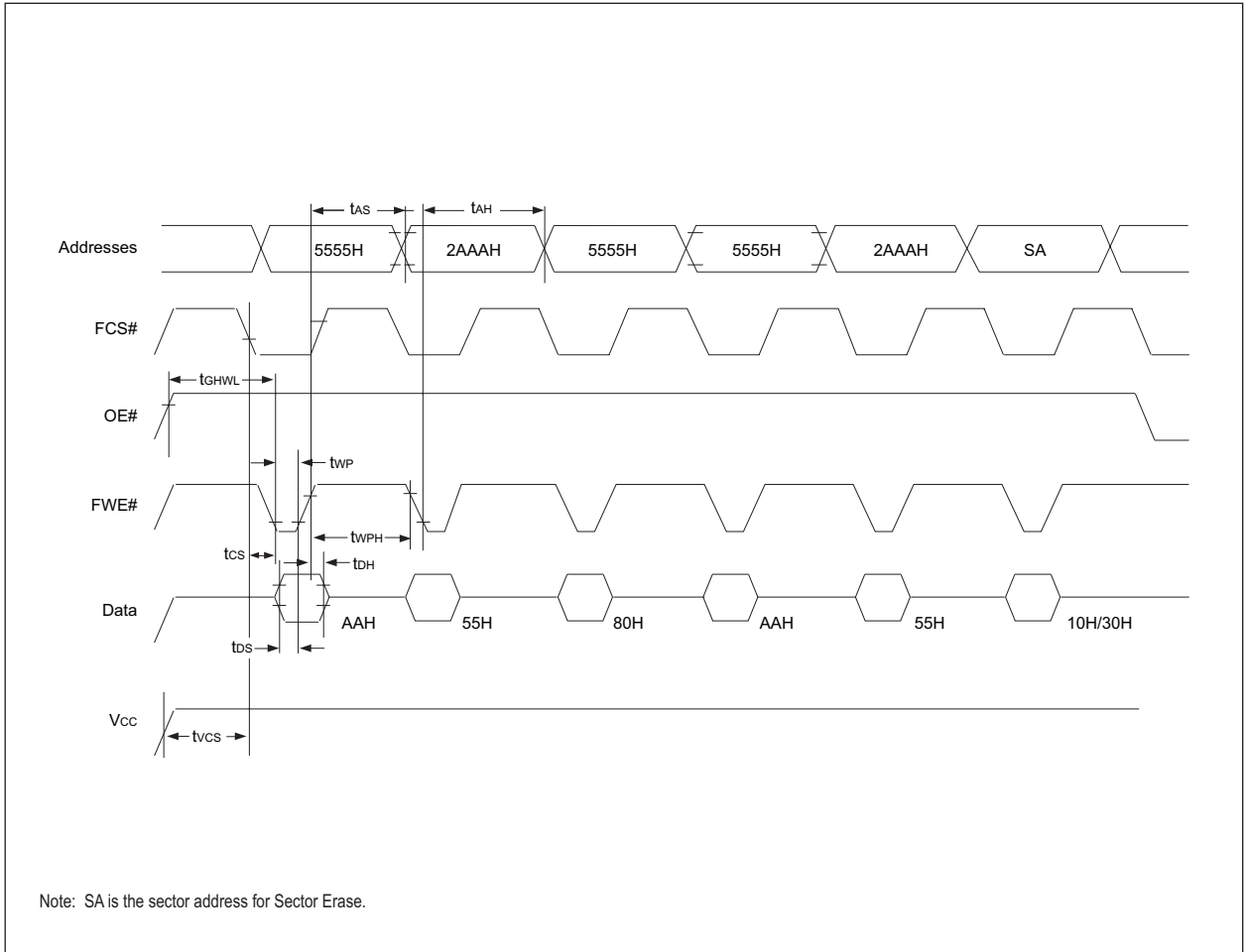




FIGURE 10 – AC WAVEFORMS FOR DATA# POLLING DURING EMBEDDED ALGORITHM OPERATIONS FOR FLASH MEMORY

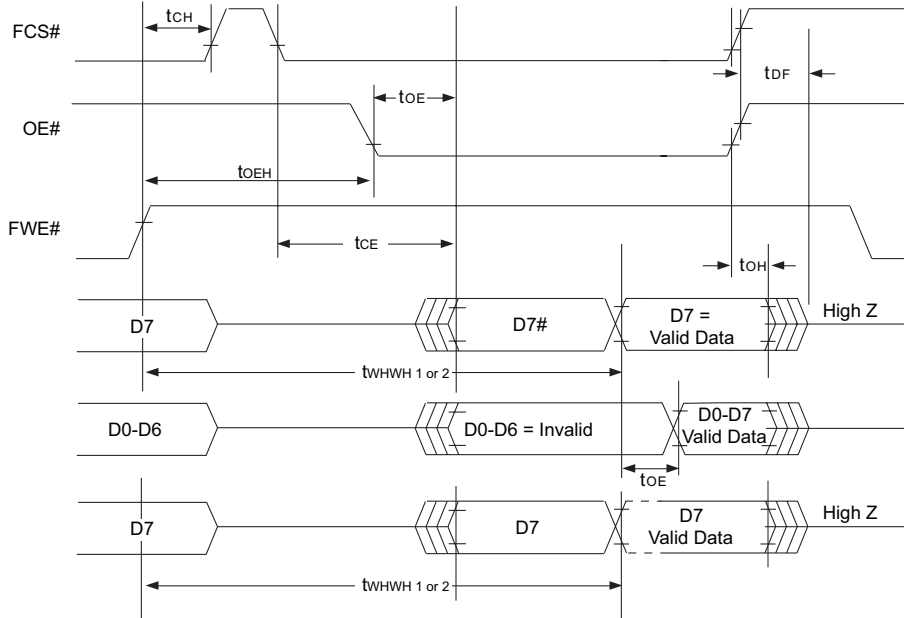
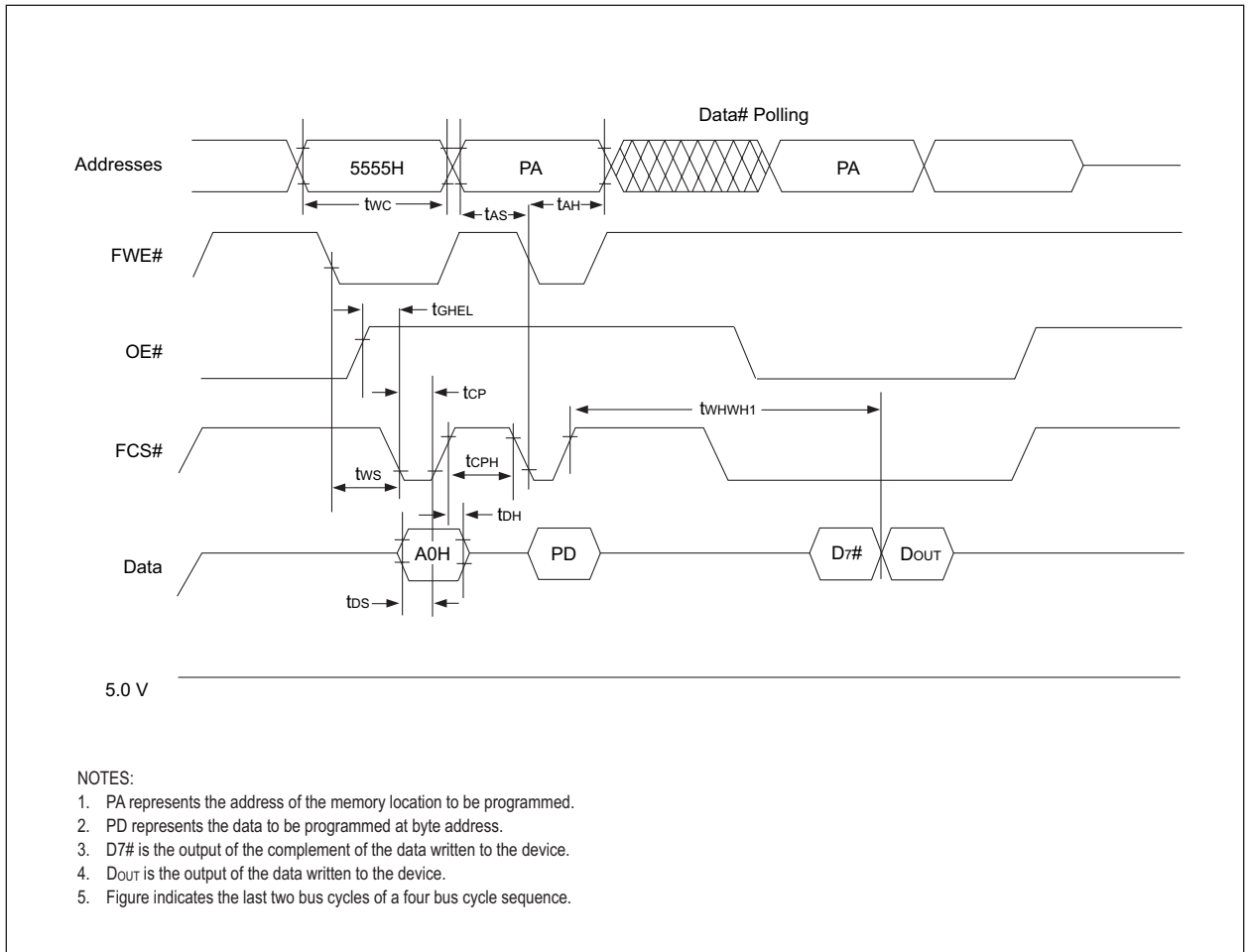


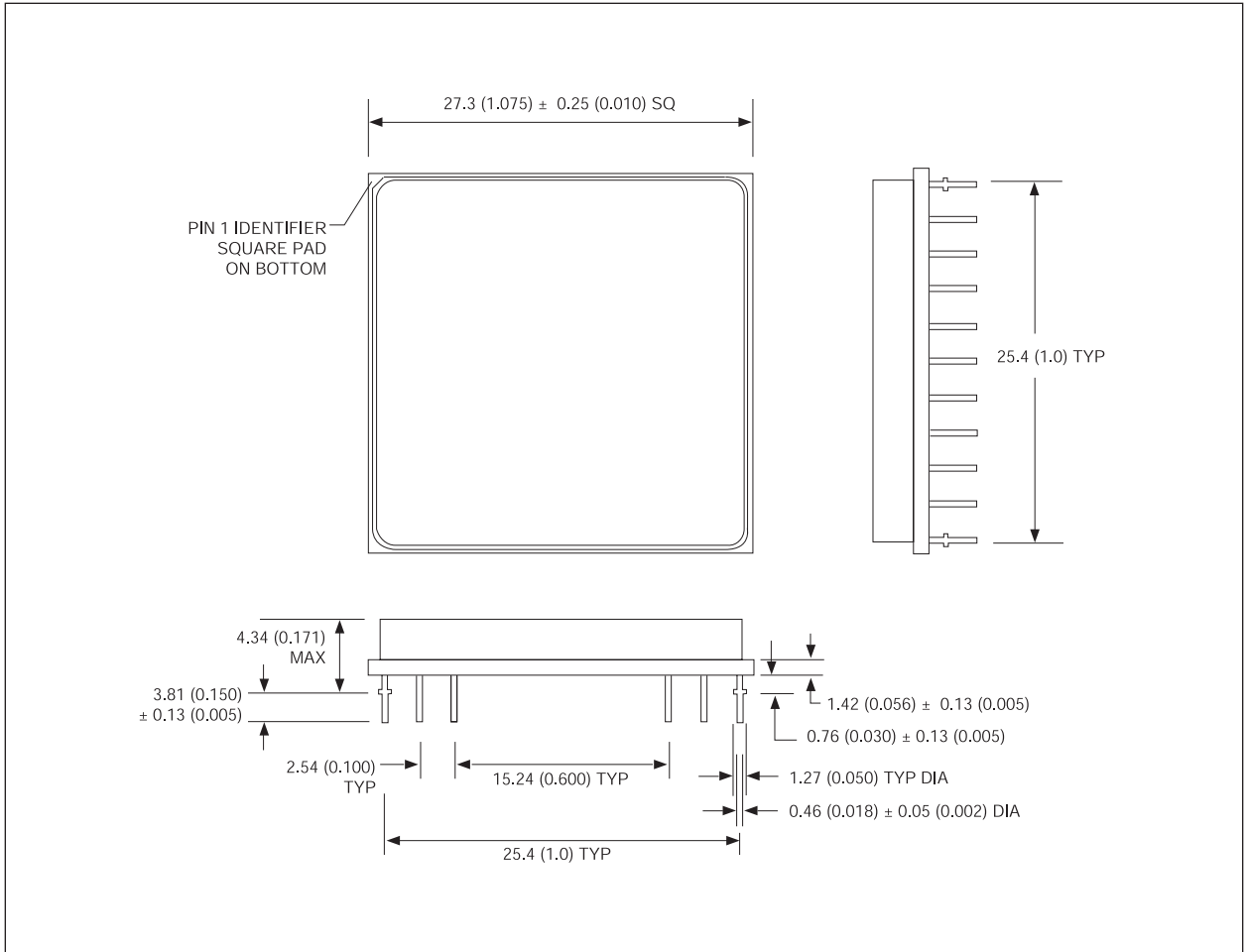


FIGURE 11 – WRITE/ERASE/PROGRAM OPERATION FOR FLASH MEMORY, CS# CONTROLLED





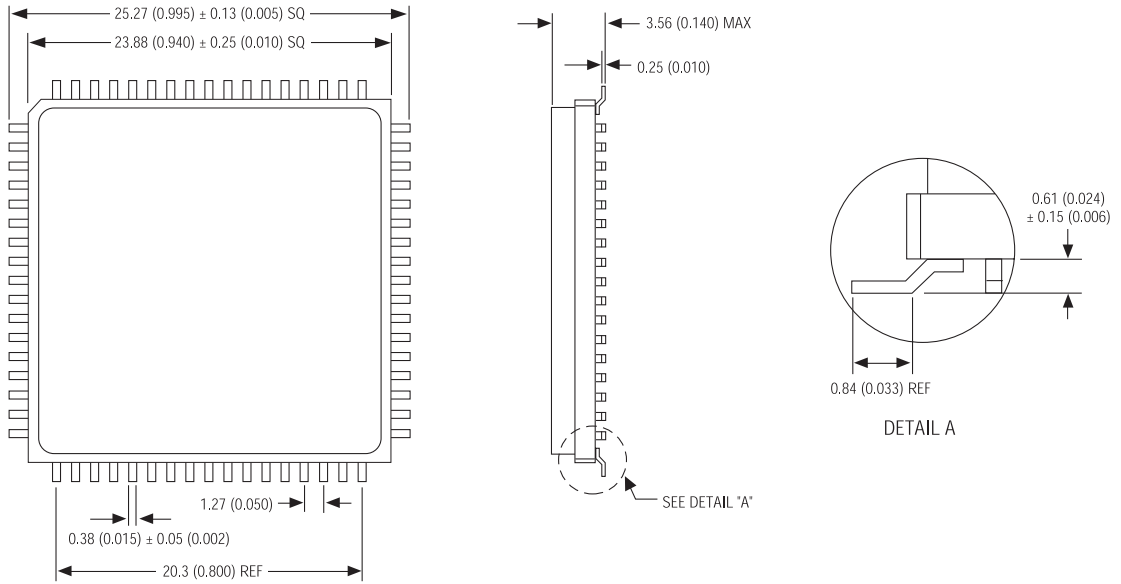
PACKAGE 400: 66 PIN, PGA TYPE, CERAMIC HEX-IN-LINE PACKAGE, HIP (H1)



ALL LINEAR DIMENSIONS ARE MILLIMETERS AND PARENTHETICALLY IN INCHES



PACKAGE 519: 68 LEAD, CERAMIC QUAD FLAT PACK, CQFP (G1U)¹

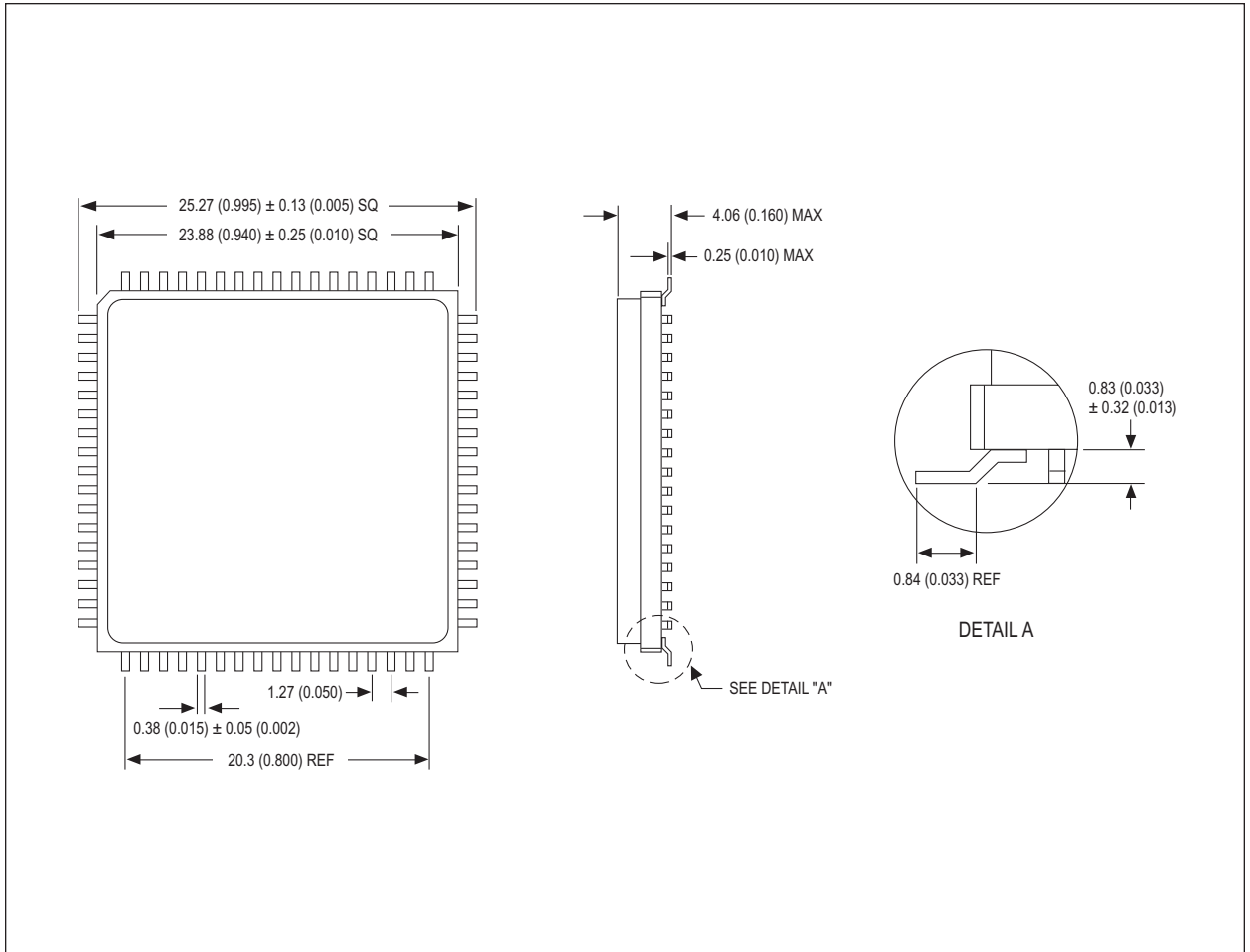


NOTE 1: Package not recommended for new designs

ALL LINEAR DIMENSIONS ARE MILLIMETERS AND PARENTHETICALLY IN INCHES



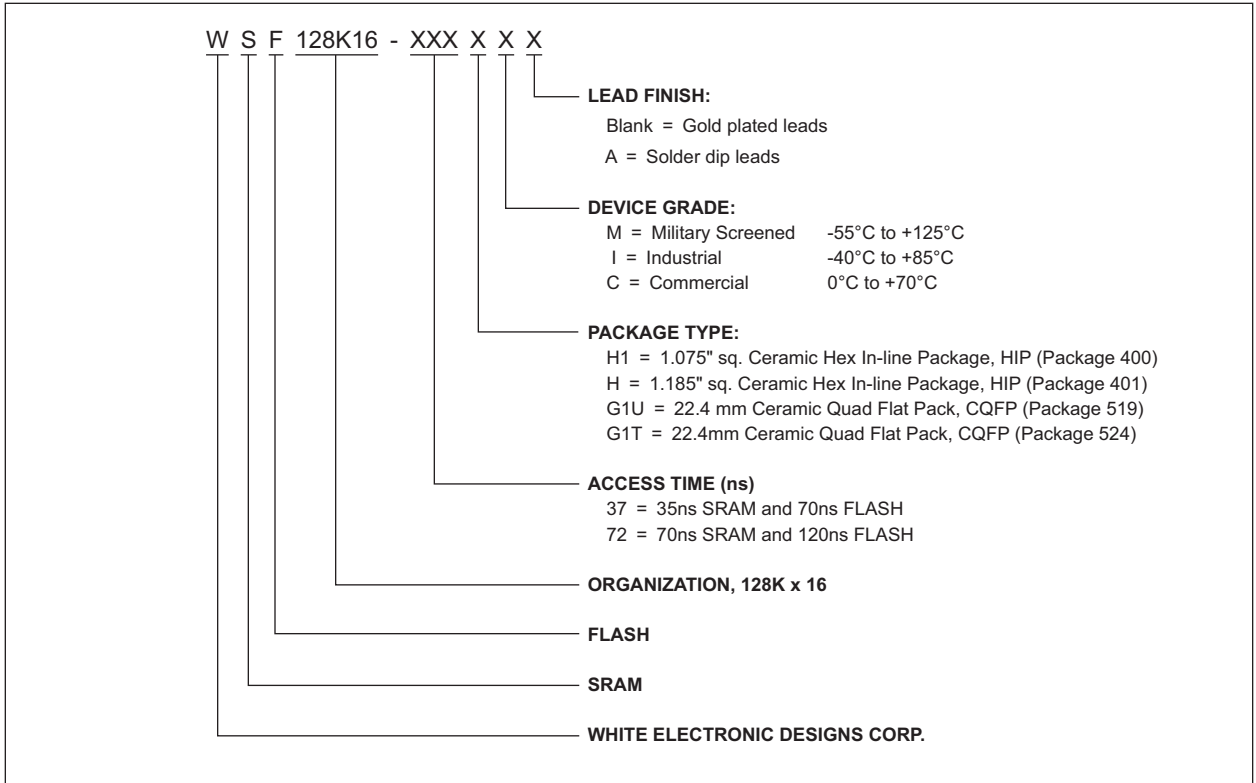
PACKAGE 524: 68 LEAD, CERAMIC QUAD FLAT PACK, LOW PROFILE CQFP (G1T)



ALL LINEAR DIMENSIONS ARE MILLIMETERS AND PARENTHETICALLY IN INCHES



ORDERING INFORMATION



DEVICE TYPE	SRAM SPEED	FLASH SPEED	PACKAGE	SMD NO.
128K x 16 Mixed Module	70ns	120ns	66 pin HIP (H)	5962-96900 01HXX
128K x 16 Mixed Module	70ns	120ns	66 pin HIP (H1)	5962-96900 01HYX
128K x 16 Mixed Module	70ns	120ns	68 lead CQFP/J (G1U)	5962-96900 01H9X
128K x 16 Mixed Module	35ns	70ns	66 pin HIP (H)	5962-96900 02HXX
128K x 16 Mixed Module	35ns	70ns	66 pin HIP (H1)	5962-96900 02HYX
128K x 16 Mixed Module	35ns	70ns	68 lead CQFP/J (G1U)	5962-96900 02H9X