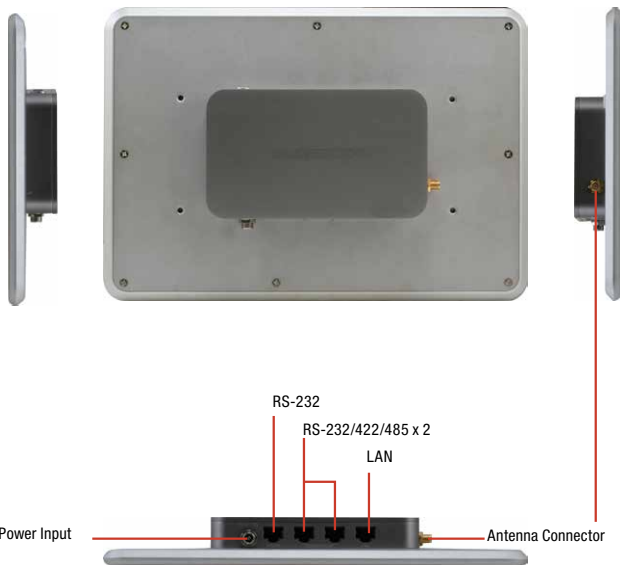


## 10.1" Ultra-Slim Fanless Multi-Touch Panel PC with Intel® Atom™ N2600, 2 GB RAM



## Features

- 10.1" WXGA (1280 x 800) Color TFT LCD Display
- Intel® Atom™ N2600 Processor
- Wide Flat-screen with P-CAP Multi-touch (2-point)
- 7H Anti-Scratch Surface
- Thickness: 13mm LCD + Touch, and 20mm Chassis
- Aluminum Design
- IP65 Compliant
- Fanless Operation
- VESA 75/Panel Mount/ Stand Support



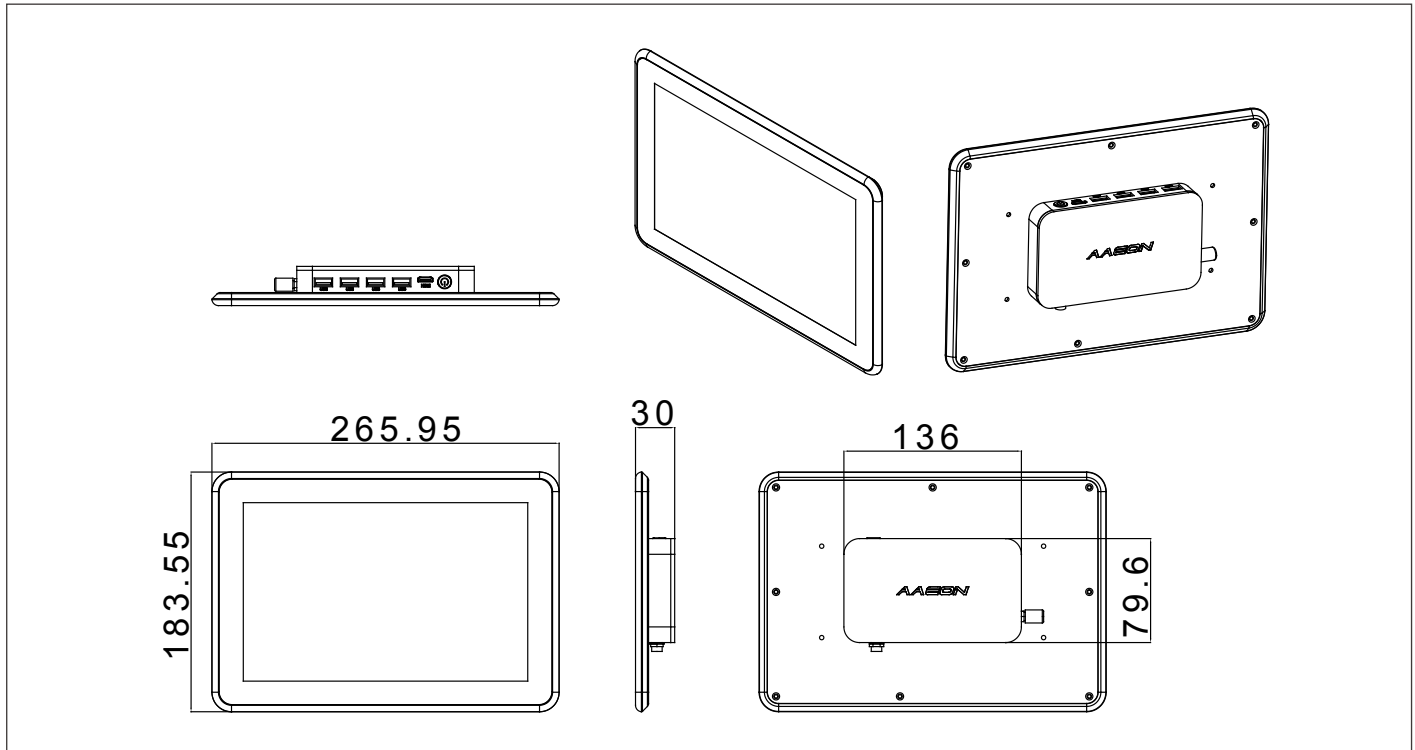
## Specifications

System	
Processor	Intel® Atom™ N2600 1.6 GHz processor
System Memory	204-pin DDR3 SODIMM up to 2 GB, default 2 GB
LCD/CRT controller	Integrated in Intel® NM10 chipset
Ethernet	10/100/1000Base-TX, RJ-45 x 1
I/O Port	RJ-48 type RS-232/422/485 x 2 RJ-48 type RS-232 x 1, USB 2.0 x 4, Mini HDMI x 1, RJ-45 type LAN x 1, Lockable power input connector, power switch x 1
Storage Disk Drive	Half size mSATA storage (Installation by AAEON recommended)
Expansion Slot	WiFi (by module)
OS support	Windows® XP 32-bit, Windows® 7 32-bit, Linux kernel 2.6.3 or higher
Mechanical	
Construction	IP65/NEMA 4 Aluminum front bezel, aluminum back chassis
Mounting	VESA 75/ Panel mount/ Stand
Dimension	10.47" x 7.22" x 1.81" (266mm x 183.5mm x 30mm)
Carton Dimension	13.58" x 7.87" x 9.65" (345mm x 200mm x 245mm)
Gross Weight	5.5 lb (2.5 kg)
Environmental	
Operating Temperature	32°F ~ 113°F (0°C ~ 45°C) without airflow 32°F ~ 122°F (0°C ~ 50°C) with airflow
Storage Temperature	-4°F ~ 158°F (-20°C ~ 70°C)
Storage Humidity	95% @40°C, non-condensing
Vibration	1 Grms/ 5 ~ 500Hz/ operation – with HDD
Shock	15 G peak acceleration (11 msec. duration) – with HDD
EMC	CE/FCC class A
Power Supply	
DC Input	DC 12V, with lockable power adapter
LCD	
Display Type	10.1" TFT-LCD, LED
Max. Resolution	1280 x 800
Max. Colors	262K
Luminance	250 cd/m <sup>2</sup>
Viewing Angle	160°(H), 160°(V)
Back Light	LED
Back Light MTBF (hours)	20,000
Touchscreen	
Type	Projected capacitive multi-touch (2-point)
Light Transmission	>86%

# ACP-1103

## Dimension

Unit: mm



## Ordering Information

Part Number	Display Type	Max. Resolution	Luminance	Backlight MTBF	CPU	LAN	USB 2.0	RS-232	RS-232/422/485	Storage	RAM	Display	Expansion	Mounting	Power	Temp.	Touch
ACP-1103HTT-A1-1011	10.1" TFT-LCD	1280 x 800	250 cd/m <sup>2</sup>	20,000	Intel® Atom™ N2600, 1.6 GHz	1	4	1	2	Half size mSATA HDD	2 GB	Mini HDMI x 1	—	VESA 75/Stand	DC 12V	0°C ~ 45°C (w/o airflow)	Projected capacitive touch (2-point)
ACP-1103HTT-A2-1011	10.1" TFT-LCD	1280 x 800	250 cd/m <sup>2</sup>	20,000	Intel® Atom™ N2600, 1.6 GHz	1	4	1	2	Half size mSATA HDD	2 GB	Mini HDMI x 1	WiFi	VESA 75/Stand	DC 12V	0°C ~ 45°C (w/o airflow)	Projected capacitive touch (2-point)

## Packing List

- 1255300607  
Power Adapter, DC12V, 60W
- 1700090156 x 3  
RJ-45 to COM Cable
- VESA Mount Kit
- Panel Mount Kit
- VESA Screws
- Product DVD
- ACP-1103

## Optional Accessories

- 1702031802  
Power Cord (US Type)
- M041073020  
Stand Kit
- 1702031803  
Power Cord (European Type)

## Half Size mSATA Storage Device:

- 968C008G0G  
(TF)Half-sized, 8 GB, mSATA SSD, MLC, -40°C ~ +85°C
- 968C016G3G  
(TF)Half-sized, 16 GB, mSATA SSD, MLC, -40°C ~ +85°C
- 968C016G1U  
(TF)Half-sized, 16 GB, mSATA SSD, MLC, -40°C ~ +85°C
- 968C032G37  
(TF)Half-sized, 32 GB, mSATA SSD, MLC, -40°C ~ +85°C
- 968C032G0L  
(TF)Half-sized, 32 GB, mSATA SSD, MLC, -40°C ~ +85°C
- 968C064G1E  
(TF)Half-sized, 64 GB, mSATA SSD, MLC, -40°C ~ +85°C
- 968C128G1H  
(TF)Half-sized, 128 GB, mSATA SSD, MLC, -40°C ~ +85°C

**Note :** AAEON factory-installed mSATA HDD is strongly recommended.