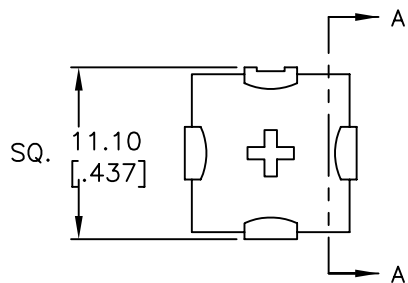
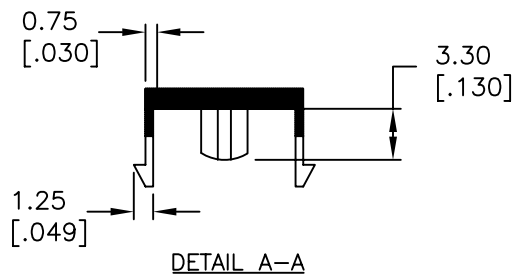
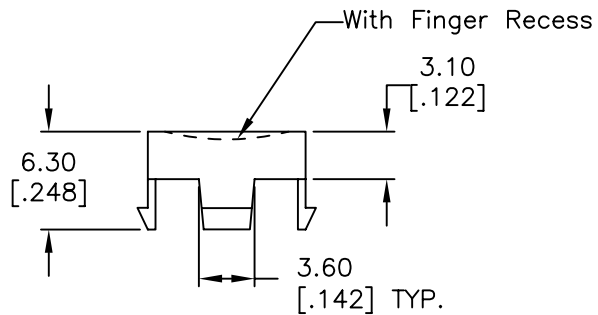


TOP VIEW



BOTTOM VIEW

NOTES:

1. ALL DIMENSIONS IN MM [INCH]
2. GENERAL TOLERANCE: X.XX=±0.2
3. CAP MATERIAL: ABS
4. CAP COLOR: ALMOND (SOMFY)

**E-SWITCH®**

TITLE					320 CAP ALM "SOMFY"							
SCALE	2:1		DATE	--		DR	--		DWG	B040012	REV	A

B				
A	15004	RELEASED FOR PRODUCTION	6/23/05	JB
REV.	ECN No.	DESCRIPTION	DATE	CHKD

THE INFORMATION CONTAINED IN THIS DOCUMENT IS PROPRIETARY TO E-SWITCH AND IS NOT TO BE COPIED OR TRANSFERRED