

HIGH PERFORMANCE DIFFERENTIAL OSCILLATOR SERIES „DLPO-4“ 220–625MHz

FEATURES

- + 100% pin-to-pin drop-in replacement to quartz and MEMS based XO
- + Differential Oscillator for Low Cost
- + Low Power Consumption
- + Extremely low RMS phase jitter
- + Excellent long time reliability
- + Very tight frequency stability as low as ± 10 ppm
- + LVPECL and LVDS output signals
- + Outstanding long term aging
- + Standard housings: 3.2x2.5; 5.0x3.2; 7.0x5.0 mm
- + Pb-free, RoHS and REACH compliant / MSL1@260°C

APPLICATIONS

- + 10GB Ethernet, SONET, SATA, SAS, Fibre Channel, PCI Express,
- + Telecom, networking, instrumentation, storage, servers,
- + etc.

GENERAL DATA

PARAMETER AND CONDITIONS	SYMBOL	MIN.	TYP.	MAX.	UNIT	CONDITION
LVPECL AND LVDS, COMMON ELECTRICAL CHARACTERISTICS						
Supply Voltage	V _{DD}	2.97	3.3	3.63	V	
		2.25	2.5	2.75	V	
		2.25	–	3.63	V	Termination schemes in Figures 1 and 2 - XX ordering code
Output Frequency Range	f	220	–	625	MHz	
Frequency Stability	F _{stab}	-10	–	+10	ppm	Inclusive of initial tolerance, operating temperature, rated power supply voltage, and load variations
		-20	–	+20	ppm	
		-25	–	+25	ppm	
		-50	–	+50	ppm	
First Year Aging	F _{aging1}	-2	–	+2	ppm	25°C
10-year Aging	F _{aging10}	-5	–	+5	ppm	25°C
Operating Temperature Range	T _{use}	-40	–	+85	°C	Industrial
		-20	–	+70	°C	Commercial
Input Voltage High	V _{IH}	70%	–	–	V _{DD}	Pin 1, OE or ST
Input Voltage Low	V _{IL}	–	–	30%	V _{DD}	Pin 1, OE or ST
Input Pull-up Impedance	Z _{in}	–	100	250	k Ω	Pin 1, OE logic high or logic low, or ST logic high
		2	–	–	M Ω	Pin 1, ST logic low
Start-up Time	T _{start}	–	6	10	ms	Measured from the time V _{DD} reaches its rated minimum value.
Resume Time	T _{resume}	–	6	10	ms	In Standby mode, measured from the time ST pin crosses 50% threshold.
Duty Cycle	DC	45	–	55	%	Contact PETERMANN-TECHNIK for tighter duty cycle

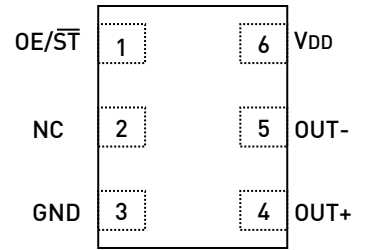
GENERAL DATA (continued)

PARAMETER AND CONDITIONS	SYMBOL	MIN.	TYP.	MAX.	UNIT	CONDITION
LVPECL, DC AND AC CHARACTERISTICS						
Current Consumption	I _{DD}	-	61	69	mA	Excluding Load Termination Current, V _{DD} = 3.3V or 2.5V
OE Disable Supply Current	I _{OE}	-	-	35	mA	OE = Low
Output Disable Leakage Current	I _{leak}	-	-	1	µA	OE = Low
Standby Current	I _{std}	-	-	100	µA	ST = Low, for all V _{DDs}
Maximum Output Current	I _{driver}	-	-	30	mA	Maximum average current drawn from OUT+ or OUT-
Output High Voltage	V _{OH}	V _{DD} -1.1	-	V _{DD} -0.7	V	See Figure 1(a)
Output Low Voltage	V _{OL}	V _{DD} -1.9	-	V _{DD} -1.5	V	See Figure 1(a)
Output Differential Voltage Swing	V _{Swing}	1.2	1.6	2.0	V	See Figure 1(b)
Rise/Fall Time	T _r , T _f	-	300	500	ps	20% to 80%, see Figure 1(a)
OE Enable/Disable Time	T _{oe}	-	-	115	ns	f = 220 MHz - For other frequencies, T _{oe} = 100ns + 3 period
RMS Period Jitter	T _{jitt}	-	1.2	1.7	ps	f = 220 MHz, V _{DD} = 3.3V or 2.5V
		-	1.2	1.7	ps	f = 312.5 MHz, V _{DD} = 3.3V or 2.5V
		-	1.2	1.7	ps	f = 622.08 MHz, V _{DD} = 3.3V or 2.5V
RMS Phase Jitter (random)	T _{phj}	-	0.6	0.85	ps	f = 312.5 MHz, Integration bandwidth = 12 kHz to 20 MHz, all V _{DDs}
LVDS, DC AND AC CHARACTERISTICS						
Current Consumption	I _{DD}	-	47	55	mA	Excluding Load Termination Current, V _{DD} = 3.3V or 2.5V
OE Disable Supply Current	I _{OE}	-	-	35	mA	OE = Low
Differential Output Voltage	V _{OD}	250	350	450	mV	See Figure 2
Output Disable Leakage Current	I _{leak}	-	-	1	µA	OE = Low
Standby Current	I _{std}	-	-	100	µA	ST = Low, for all V _{DDs}
VOD Magnitude Change	ΔV _{OD}	-	-	50	mV	See Figure 2
Offset Voltage	V _{OS}	1.125	1.2	1.375	V	See Figure 2
VOS Magnitude Change	ΔV _{OS}	-	-	50	mV	See Figure 2
Rise/Fall Time	T _r , T _f	-	495	600	ps	20% to 80%, see Figure 2
OE Enable/Disable Time	T _{oe}	-	-	115	ns	f = 220 MHz - For other frequencies, T _{oe} = 100ns + 3 period
RMS Period Jitter	T _{jitt}	-	1.4	1.7	ps	f = 266 MHz, V _{DD} = 3.3V or 2.5V
		-	1.4	1.7	ps	f = 312.5 MHz, V _{DD} = 3.3V or 2.5V
		-	1.2	1.7	ps	f = 622.08 MHz, V _{DD} = 3.3V or 2.5V
RMS Phase Jitter (random)	T _{phj}	-	0.6	0.85	ps	f = 312.5 MHz, Integration bandwidth = 12 kHz to 20 MHz, all V _{DDs}
EXCELLENT RELIABILITY DATA						
MTBF						500 million hours
Shock Resistance:						10.000 g
Vibration Resistance:						70 g

PIN DESCRIPTION

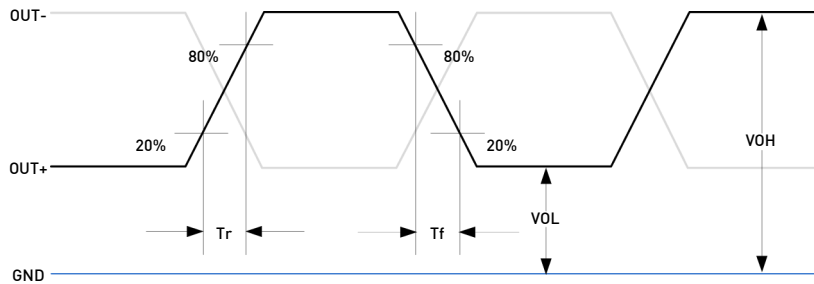
PIN	SYMBOL	FUNCTIONALITY
1	OE	Input H or Open: specified frequency output L: output is high impedance
	ST	Input H or Open: specified frequency output L: Device goes to sleep mode. Supply current reduces to I_std.
2	NC	NA No Connect; Leave it floating or connect to GND for better heat dissipation
3	GND	Power VDD Power Supply Ground
4	OUT+	Output Oscillator output
5	OUT-	Output Complementary oscillator output
6	VDD	Power Power Supply Voltage

TOP VIEW



WAVE FORM DIAGRAMS

FIGURE 1(A). LVPECL VOLTAGE LEVELS PER DIFFERENTIAL PIN (OUT+/OUT-)



WAVE FORM DIAGRAMS (continued)

FIGURE 1(B). LVPECL VOLTAGE LEVELS ACROSS DIFFERENTIAL PAIR

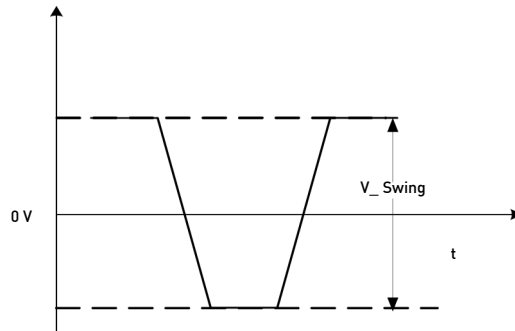
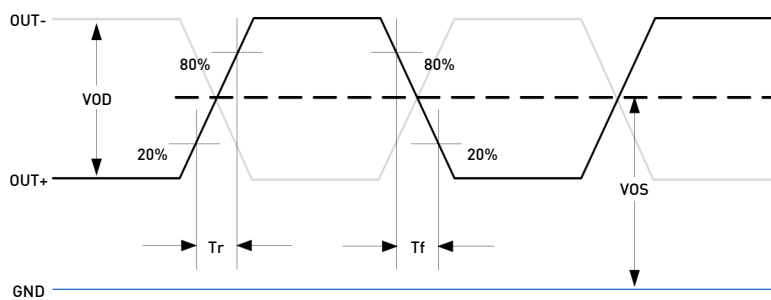


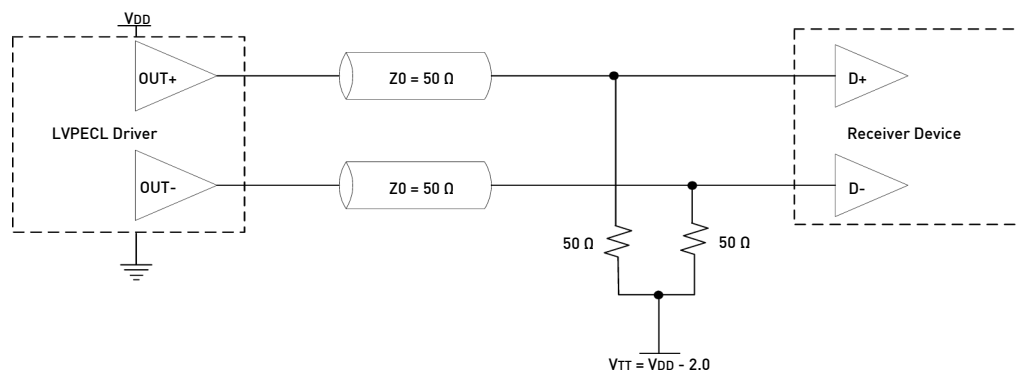
FIGURE 2. LVDS VOLTAGE LEVELS PER DIFFERENTIAL PIN (OUT+/OUT-)



TERMINATION DIAGRAMS

LVPECL:

FIGURE 3. LVPECL TYPICAL TERMINATION



TERMINATION DIAGRAMS

LVPECL:

FIGURE 4. LVPECL AC COUPLED TERMINATION

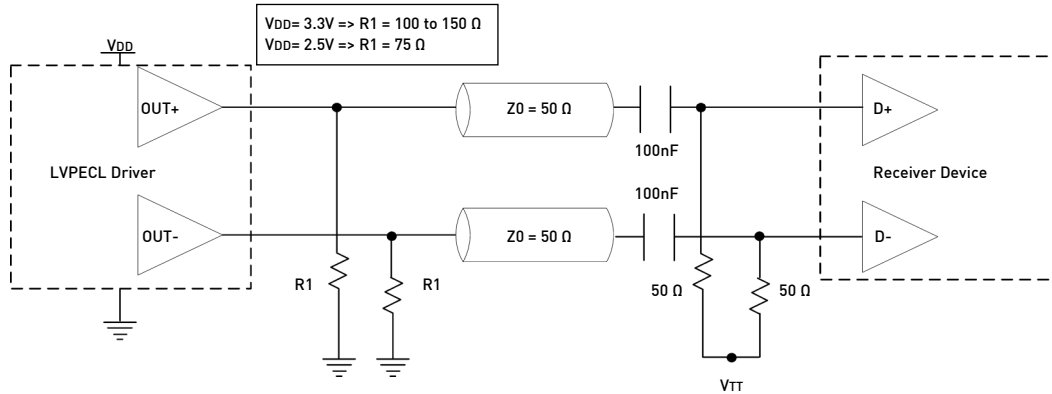
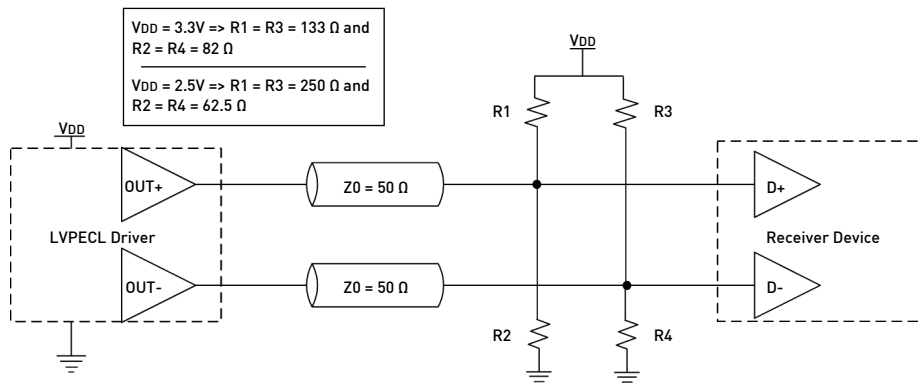


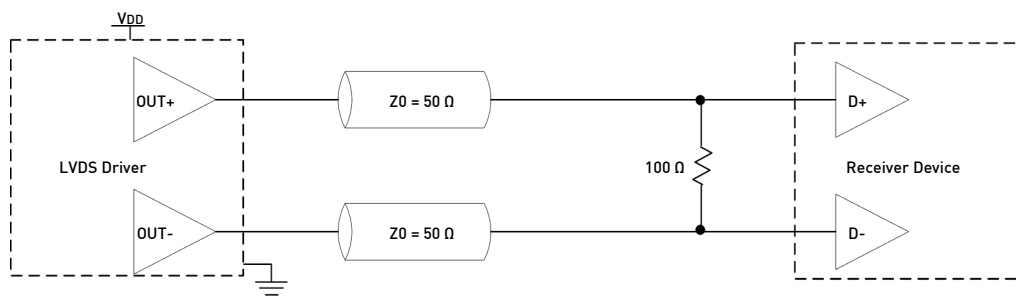
FIGURE 5. LVPECL WITH THEVENIN TYPICAL TERMINATION



TERMINATION DIAGRAMS

LVDS:

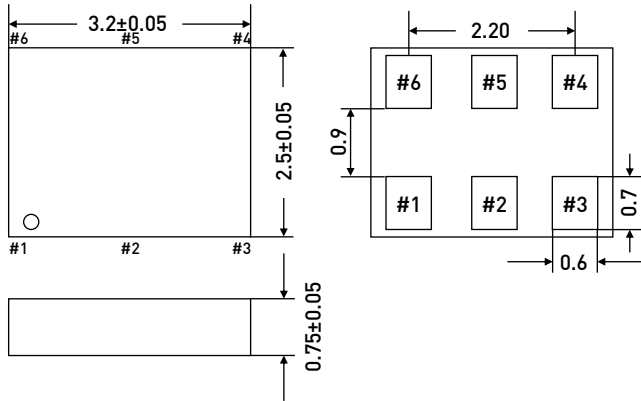
FIGURE 6. LVDS SINGLE TERMINATION (LOAD TERMINATED)



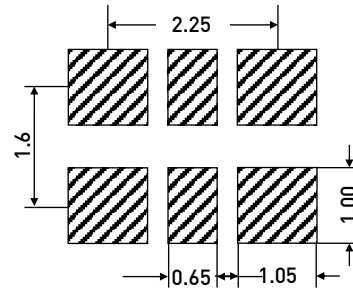
DIMENSIONS AND PATTERNS

PACKAGE SIZE – DIMENSIONS (UNIT:MM)

3.2X 2.5 X 0.75 MM

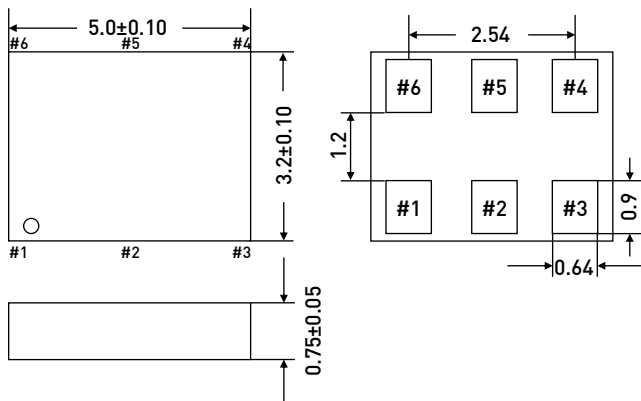


RECOMMENDED LAND PATTERN (UNIT:MM)^[1]

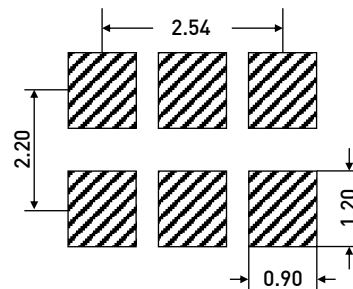


PACKAGE SIZE – DIMENSIONS (UNIT:MM)

5.0X 3.2 X 0.75 MM

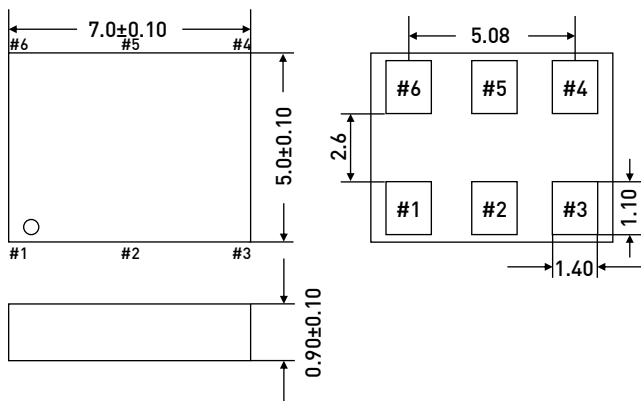


RECOMMENDED LAND PATTERN (UNIT:MM)^[1]

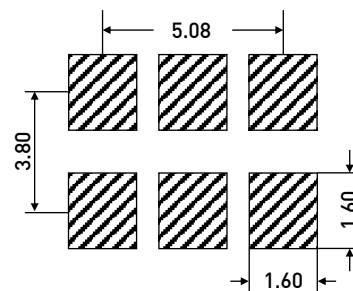


PACKAGE SIZE – DIMENSIONS (UNIT:MM)

7.0X 5.0 X 0.90 MM



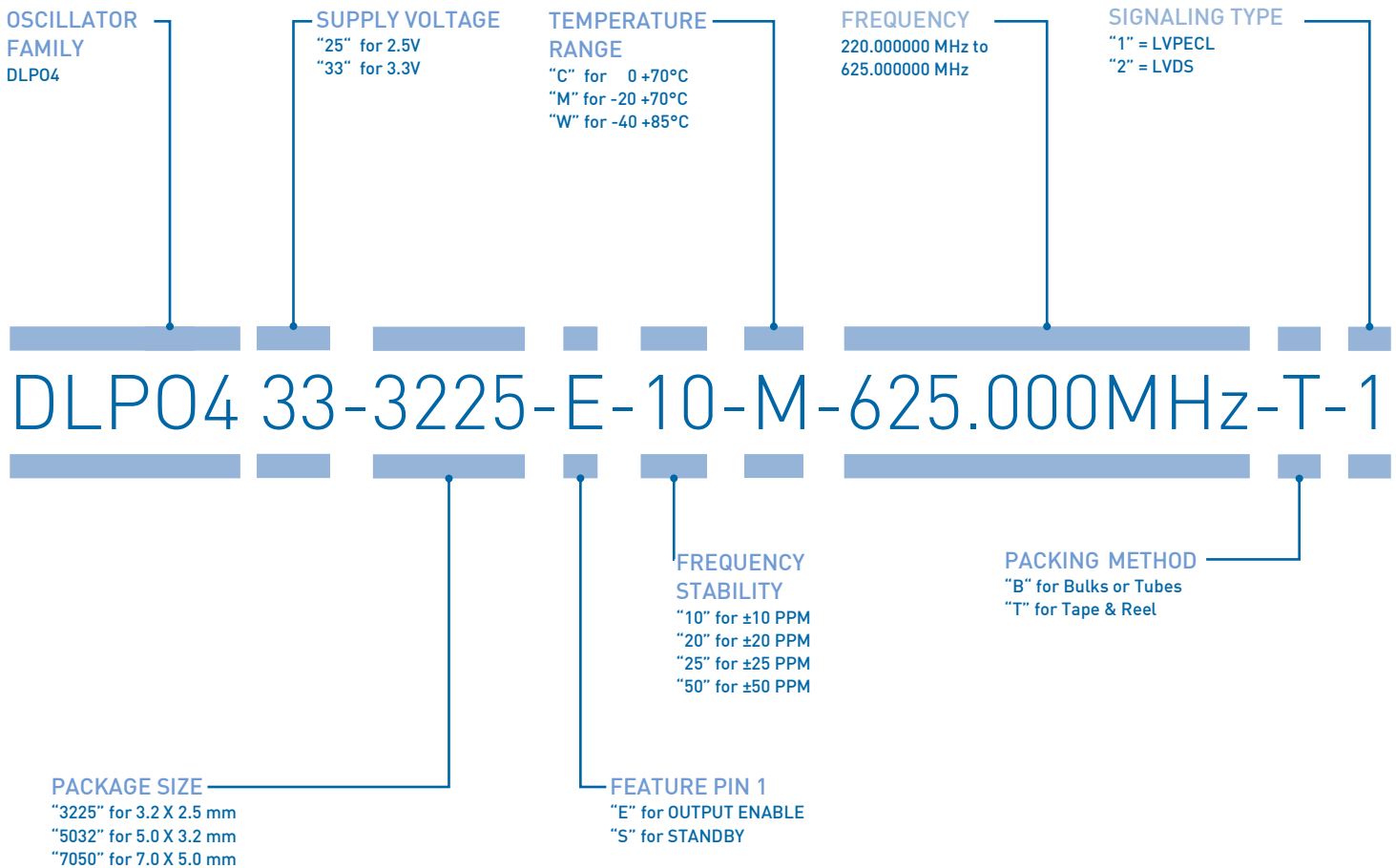
RECOMMENDED LAND PATTERN (UNIT:MM)^[1]



Note:

1. A capacitor value of 0.1 µF between VDD and GND is recommended.

ORDERING INFORMATION

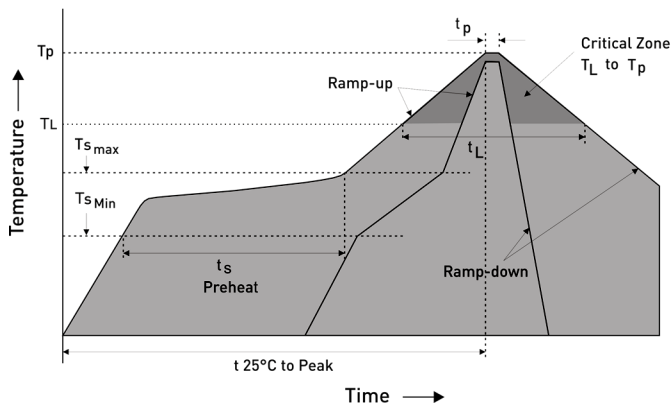


EXAMPLE: DLPO433-3225-E-10-M-625.000MHz-T-1

PLEASE INDICATE YOUR REQUIRED PARAMETERS

SAMPLES ARE AVAILABLE WITHIN A SHORT DELIVERY PERIOD!

REFLOW SOLDER PROFILE



Profile Feature	Pb-Free Assembly
Average ramp-up rate (TL to TP)	3°C/second max.
Preheat:	
Temperature Min (T _{smin})	150°C
Temperature Max (T _{smax})	200°C
Time (min to max) (t _s)	60-180 seconds
Time maintained above:	
Temperature (TL)	217°C
Time (t _L)	60-150 seconds
Peak/Classification Temperature (T _p)	240°C
Time within 5°C of actual Peak Temperature (t _p)	20-40 seconds
Ramp-down Rate	6°C/second max.
Time 25°C to Peak Temperature	8 minutes max.



PREMIUM QUALITY BY PETERMANN-TECHNIK



OUR COMPANY IS CERTIFIED ACCORDING TO ISO 9001:2008 IN OCTOBER 2013 BY THE DMSZ CERTIFIKATION GMBH.

THIS IS FOR YOU TO ENSURE THAT THE PRINCIPLES OF QUALITY MANAGEMENT ARE FULLY IMPLEMENTED IN OUR QUALITY MANAGEMENT SYSTEM AND QUALITY CONTROL METHODS ALSO DOMINATE OUR QUALITY STANDARDS.

© PETERMANN-TECHNIK GmbH 2014. The information contained herein is subject to change at any time without notice. PETERMANN-TECHNIK owns all rights, title and interest to the intellectual property related to PETERMANN-TECHNIK's products, including any software, firmware, copyright, patent, or trademark. The sale of PETERMANN-TECHNIK products does not convey or imply any license under patent or other rights. PETERMANN-TECHNIK retains the copyright and trademark rights in all documents, catalogs and plans supplied pursuant to or ancillary to the sale of products or services by PETERMANN-TECHNIK. Unless otherwise agreed to in writing by PETERMANN-TECHNIK, any reproduction, modification, translation, compilation, or representation of this material shall be strictly prohibited.