

FEATURES

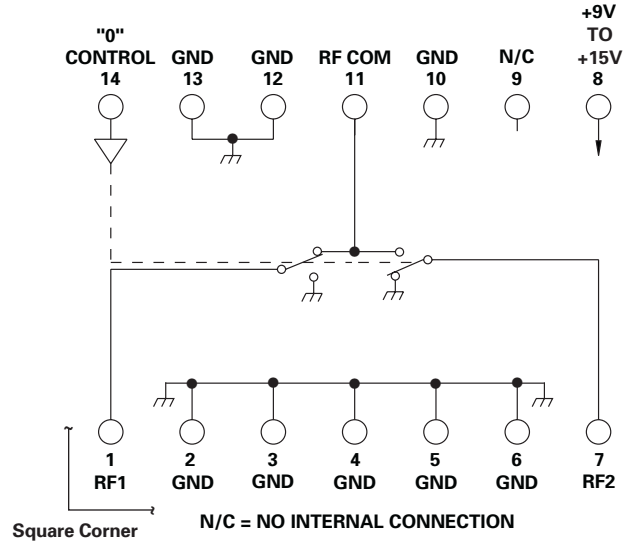
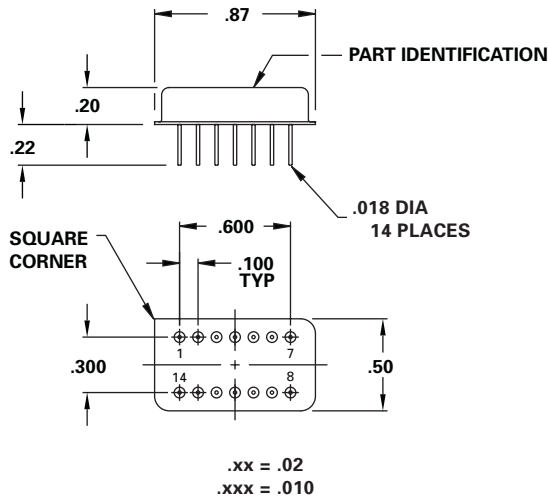
- 5 - 2000 MHz
- Low Cost
- TTL Driver
- 14 Pin DIP



**MODEL NO.
DS0613**

PIN Diode SP2T

SP2T



GUARANTEED PERFORMANCE

Parameter	Min	Typ	Max	Units	Conditions	
Operating Frequency	5		2000	MHz		
DC Current		24	35	mA	At +9 to +15 VDC Supply	
Control Type		TTL			1 Line Logic "0" = COM to RF1 Logic "1" = COM to RF2	
Control Current		1	±10	µA	VIH = +2.7V VIL = +0.5V	
Insertion Loss		0.7	1.0	dB	5 - 500 MHz	
		1.0	1.5	dB	500 - 1000 MHz	
		1.2	1.7	dB	1000 - 2000 MHz	
Isolation	60	70		dB	5 - 10 MHz	
	70	80		dB	10 - 500 MHz	
	60	70		dB	500 - 1000 MHz	
	50	60		dB	1000 - 2000 MHz	
VSWR	Thru	1.15/1	1.25/1		5 - 10 MHz	
		1.10/1	1.20/1		10 - 1000 MHz	
		1.15/1	1.50/1		1000 - 2000 MHz	
Impedance		50		OHMS		
Switching Speed		2	3	µSEC	50% TTL to 90% / 10% RF	
Transition (Rise/Fall) Time		0.5		µSEC	90% / 10% or 10% / 90% RF	
Switching (Video) Transients		360	700	mV	Peak Value	
Intercept Points	2nd	+60	+78	dBm	150 MHz / 350 MHz	
	3rd	+30	+45	dBm	200 MHz / 350 MHz	
RF Power	Operate		+7	0	dBm	5 - 20 MHz
			+15	+10	dBm	20 - 50 MHz
			+20	+13	dBm	50 - 2000
	No Damage			+27	dBm	
Operating Temperature	-55	+25	+125	°C	TA	

