



3/4 inch-20 Twinax Female Connector Clamp/ Solder Attachment For PE-S330

TECHNICAL DATA SHEET

PE4346

3/4 inch-20 Twinax Female Connector Clamp/Solder Attachment For PE-S330

Configuration

Connector	3/4"-20 Twinax Female
Connector Interface Type	PE-S330
Cable Attachment Method (Shield/Contact)	Clamp/Solder
Body Style	Straight

Electrical Specifications

Impedance, Ohms	95
-----------------	----

Mechanical Specifications

Size

Length, in [mm]	1.65 [41.91]
Width/Dia., in [mm]	0.75 [19.05]
Weight, lbs [g]	0.123 [55.79]

Connector

Type	3/4"-20 Twinax Female
Contact Material and Plating	Brass, Gold
Contact Plating Specification	30µ in. minimum
Body Material and Plating	Brass, Nickel
Body Plating Specification	100µ in. minimum
Dielectric Type	PTFE

Compliance Certifications (visit www.Pasternack.com for current document)

RoHS Compliant	Yes
----------------	-----

Plotted and Other Data

Notes:	Values at 25 °C, sea level
--------	----------------------------

3/4 inch-20 Twinax Female Connector Clamp/Solder Attachment For PE-S330 from Pasternack Enterprises has same day shipment for domestic and International orders. Our RF, microwave and fiber optic products maintain a 99% availability and are part of the broadest selection in the industry.

Click the following link (or enter part number in "SEARCH" on website) to obtain additional part information including price, inventory and certifications: [3/4 inch-20 Twinax Female Connector Clamp/Solder Attachment For PE-S330 PE4346](http://www.pasternack.com/3-4-inch-20-female-standard-pe-s330-connector-pe4346-p.aspx)

URL: <http://www.pasternack.com/3-4-inch-20-female-standard-pe-s330-connector-pe4346-p.aspx>

The information contained in this document is accurate to the best of our knowledge and representative of the part described herein. It may be necessary to make modifications to the part and/or the documentation of the part, in order to implement improvements. Pasternack reserves the right to make such changes as required. Unless otherwise stated, all specifications are nominal.



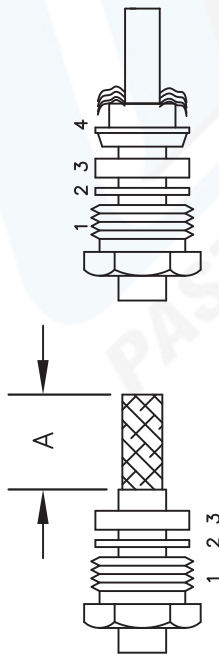
PE4346 CAD Drawing

3/4 inch-20 Twinax Female Connector Clamp/Solder Attachment For PE-S330

ASSEMBLY PROCEDURES

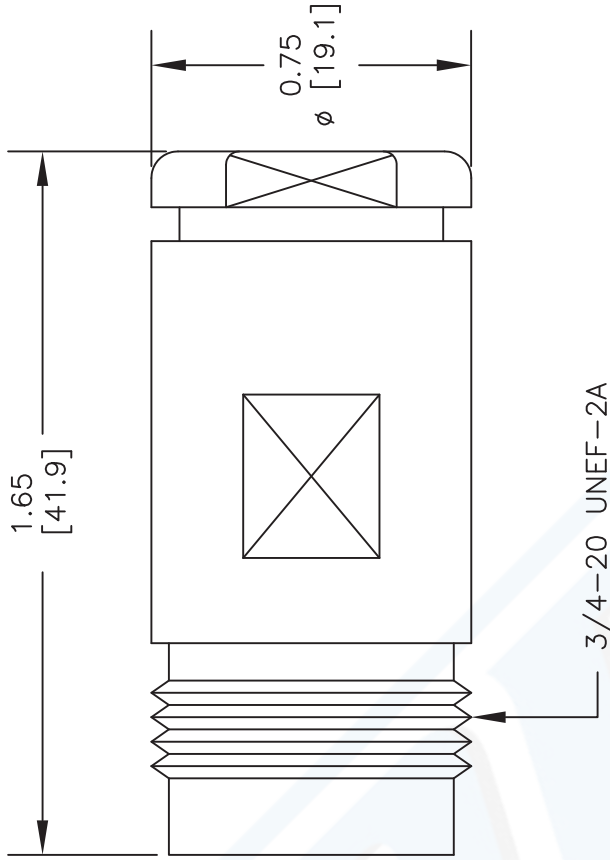
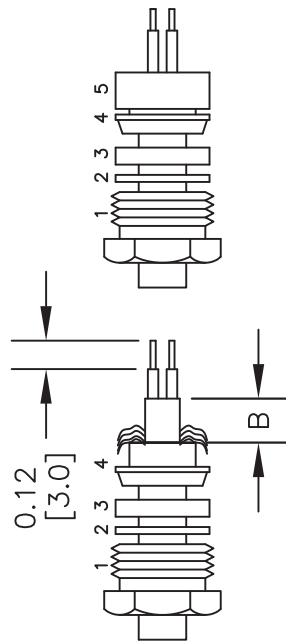
1. SLIDE CLAMP NUT (1), WASHER (2) & GASKET (3) OVER CABLE. STRIP CABLE AS SHOWN IN A. DO NOT NICK THE BRAID OR INNER CONDUCTORS. TAPER END OF BRAID TO PERMIT ASSEMBLY OF THE BRAID CLAMP (4). SLIDE BRAID CLAMP (4) OVER BRAID & BUTT INNER SHOULDER AGAINST JACKET. FORM BRAID OVER BRAID CLAMP (4). TRIM BRAID FLUSH WITH SHOULDER.

A = .500



2. STRIP CABLE AS SHOWN IN B. SLIDE BUSHING (5) OVER DIELECTRIC & SEAT FIRMLY AGAINST BRAID. SOLDER CONTACTS TO CENTER CONDUCTORS. REMOVE ANY EXCESS SOLDER. PUSH OUT INSULATOR FROM BODY. SPREAD OUT CONTACTS, SLIDE INSULATOR OVER CONTACTS. LINE THE KEY WAY UP WITH THE PIN IN THE BODY & INSERT THE ENTIRE ASSEMBLY INTO BODY & TIGHTEN.

B = .100



DWG TITLE

PE4346

- NOTES:
1. UNLESS OTHERWISE SPECIFIED ALL DIMENSIONS ARE NOMINAL.
 2. ALL SPECIFICATIONS ARE SUBJECT TO CHANGE WITHOUT NOTICE AT ANY TIME.
 3. DIMENSIONS ARE IN INCHES [mm].
 4. FITS MIL-C-17 AND EQUIVALENT CABLES.

Website: www.pasternack.com | **E-Mail:** sales@pasternack.com

PE PASTERNAK®

Pasternack Enterprises, Inc.

P.O. Box 16759 | Irvine | CA | 92623

Phone: (949) 261-1920 | Fax: (949) 261-7451

Website: www.pasternack.com | **E-Mail:** sales@pasternack.com

REV. -

FSCM NO. 53919

CAD FILE 050802

SCALE N/A

SIZE A

2233