



- Protections: Short circuit/Over load/Over voltage
- Cooling by free air convection
- LED indicator for power on
- All using 105°C long life electrolytic capacitors
- Withstands 5G Vibration Test
- High efficiency, long life and high reliability



Model Number	Output Volts	Output Amps	Ripple & Noise	Min Load	Line Reg	Load Reg	Volt Tolerance
<b>DUAL OUTPUT</b>							
RD125-A	5 Volts(DC)	7.7 Amps	80mV pk-pk	2.0~15Amps	±1.0%	±3.0%	±5.0%
	12 Volts(DC)	7.7 Amps	120mV pk-pk	0.5~10Amps	±2.0%	±4.0%	±7.0%
RD125-B	5 Volts(DC)	4.6 Amps	80mV pk-pk	2~10Amps	±1.0%	±3.0%	±5.0%
	24 Volts(DC)	4.6 Amps	120mV pk-pk	0.4~5Amps	±2.0%	±4.0%	±7.0%
RD125-1224	12 Volts(DC)	3.7Amps	120mV pk-pk	1.0~7Amps	±0.5%	±1.0%	±2.0%
	24 Volts(DC)	3.7 Amps	200mV pk-pk	0.4~5Amps	±1.0%	±5.0%	+8,-5%
RD125-1248	12 Volts(DC)	2.3 Amps	120mV pk-pk	1.0~7Amps	±0.5%	±1.0%	±2.0%
	48 Volts(DC)	2.3 Amps	240mV pk-pk	0.2~2.5Amps	±1.0%	±5.0%	+8,-5%
RD125-2448	24 Volts(DC)	2.0 Amps	200mV pk-pk	0.5~4Amps	±0.5%	±1.0%	±1.0%
	48 Volts(DC)	2.0 Amps	240mV pk-pk	0.2~2.5Amps	±1.0%	±3.0%	±4.0%
RD125-2412	24 Volts(DC)	3.7Amps	200mV pk-pk	0.5~5Amps	±0.5%	±1.0%	±2.0%
	12 Volts(DC)	3.7 Amps	120mV pk-pk	1.0~7Amps	±1.0%	±5.0%	±10%
RD125-4812	48 Volts(DC)	2.3 Amps	240mV pk-pk	0.3~2.5Amps	±0.5%	±1.0%	±2.0%
	12 Volts(DC)	2.3 Amps	120mV pk-pk	1.0~7Amps	±1.0%	±5.0%	±10%
RD125-4824	48 Volts(DC)	2.0Amps	240mV pk-pk	0.3~2.5Amps	±0.5%	±1.0%	±1.0%
	24 Volts(DC)	2.0 Amps	240mV pk-pk	0.5~4Amps	±1.0%	±5.0%	±8.0%

## 125W Dual Output Switching Power Supply

## RD125 series

### INPUT SPECIFICATIONS

Input Voltage Range	90 ~ 132 VAC; 176~264VAC selected by switch; 248~373 Volts(DC)
Frequency Range	47-63 Hz
Inrush Current, typ: (cold start)	40Amps / 230VAC
Input Current	3.0Amps. @ 115VAC 2.0 Amps. @ 230VAC
Leakage current	< 2mAmps /240VAC

### OUTPUT SPECIFICATIONS

Voltage and Current	See Selection Chart
Line Regulation (Note 3)	See Selection Chart
Load Regulation (Note 4)	See Selection Chart
Voltage Tolerance (Note 2)	See Selection Chart
Ripple/Noise (Note 1)	See Selection Chart
Hold Up Time @ FL	25mS/230VAC 30mS/115VAC
Setup, Rise Time @ FL	500ms, 20m/230VAC 1200mS, 30mS/115VAC
Over Voltage Protection	Hiccup mode, auto recover
RD125-A/B	5Volts only: : 5.75 ~ 6.75Volts(DC)
RD125-1224/1248	12Volts only: : 13.8 ~ 16.2Volts(DC)
RD125-2448/2412	24Volts only: : 27.6 ~ 32.4Volts(DC)
RD125-4812/4824	48Volts only: : 55.2 ~ 64.8Volts(DC)
Over Current Protection	110 ~ 150% rated output power Hiccup mode, auto recover
DC Volt Adjust	
RD125-A/B	5Volts only: 4.75 ~ 5.5Volts(DC)
RD125-1224/1248	12Volts only: 11.4~13.2Volts(DC)
RD125-2448/2412	24Volts only: 22.8~26.4Volts(DC)
RD125-4812/4824	40Volts only: 45.6~52.6Volts(DC)

### GENERAL SPECIFICATIONS

Safety	UL60950-1, TUV EN60950-1 Approved
Insulation Resistance	≥ 100MΩ / 500Volts(DC)
EMI	Compliance to EN55022 (CISPR22) Class B
Harmonic Current	Compliance to EN61000-3-2,-3

All specifications are typical at nominal input, full load, and 25°C unless otherwise noted

Efficiency (typ.)	84%
Isolation	3000VAC Input - Output 1500VAC Input - Ground 500VAC Output - Ground
EMS	Compliance to EN61000-4-2, 3, 4, 5, 6, 8, 11; ENV50204, EN61000-6-2 (EN50082-2) Heavy Industry Level, Criteria A

### ENVIRONMENTAL SPECIFICATIONS

Oper. Temperature	-25°C to +70°C (See Derate Curve)
Storage Temperature	-40°C to +85°C, 10~95%
Relative Humidity	20~90% RH non cond
Temperature Coefficient	
RD125-A/B	0.03% / °C (0-50°C) on +5V output
RD125-1224/1248	0.03% / °C (0-50°C) on +12V output
RD125-2448/2412	0.03% / °C (0-50°C) on +24V output
RD125-4812/4824	0.03% / °C (0-50°C) on +48V output
MTBF	
RD125-A/B/ 2412/4812/4824	232.4 KHrs min, MIL-UDBK-217F(25°C)
RD125-1224/1248/2448	232.4 KHrs min, MIL-UDBK-217F(25°C)
Vibration	10~500Hz, 5G10min./1cycle, period for 60min. each along X, Y, Z axes

### PHYSICAL SPECIFICATIONS

Size	
Millimeters	199 x 98 x 38
Inches	7.83" x 3.86" x 1.49"
Weight	24.69 oz (700g)

### NOTE

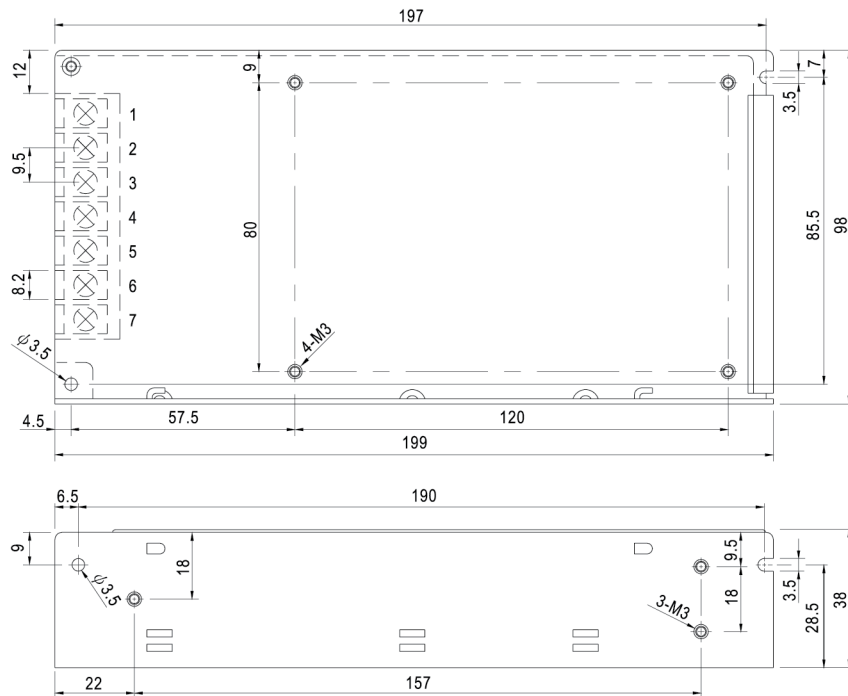
1. Ripple & noise are measured at 20MHz of bandwidth by using a 12" twisted pair-wire terminated with a 0.1uf & 47uf parallel capacitor.
2. Tolerance : includes set up tolerance, line regulation and load regulation.
3. Line regulation is measured from low line to high line at rated load.
4. Load regulation is measured from 20% to 100% rated load, and other output at 60% rated load.

125W Dual Output Switching Power Supply

**RD125** series

■ Mechanical Specification

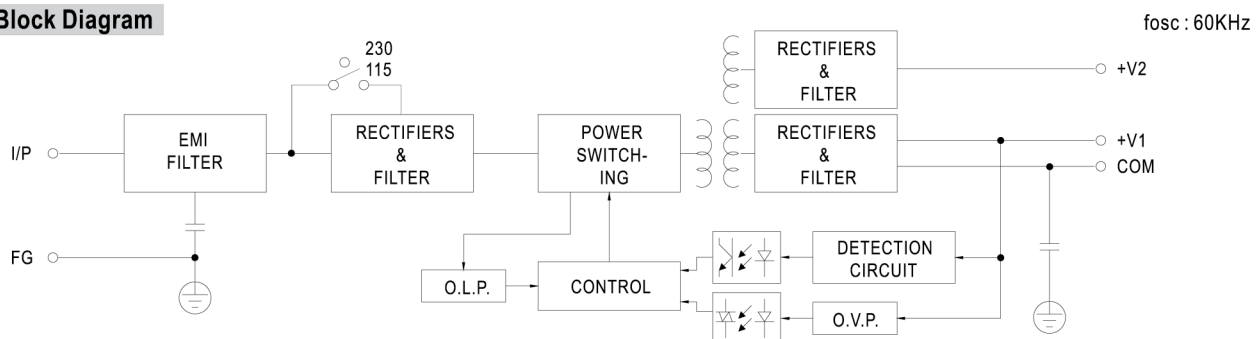
Case No. 902A Unit:mm



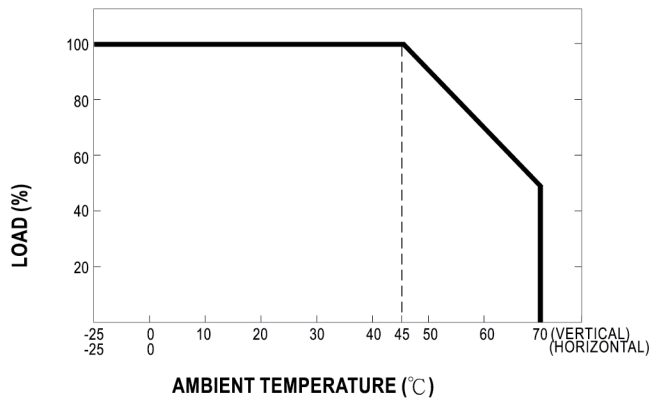
Terminal Pin No. Assignment

Pin No.	Assignment	Pin No.	Assignment
1	AC/L	4,6	DC OUTPUT COM
2	AC/N	5	DC OUTPUT +V2
3	FG $\perp$	7	DC OUTPUT +V1

■ Block Diagram



■ Derating Curve



■ Static Characteristics

