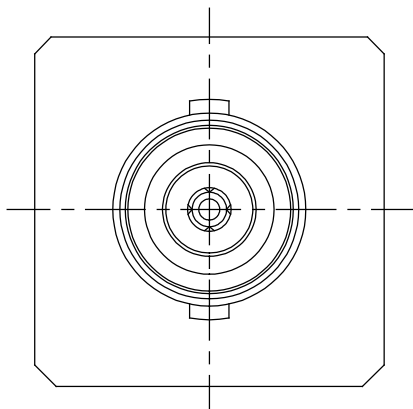


DASH NO.	M CODE	MADE FROM
----------	--------	-----------

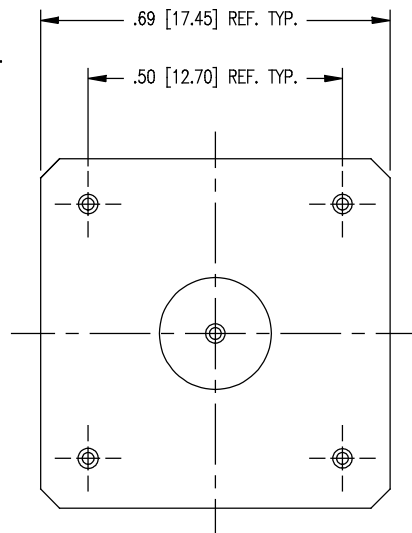
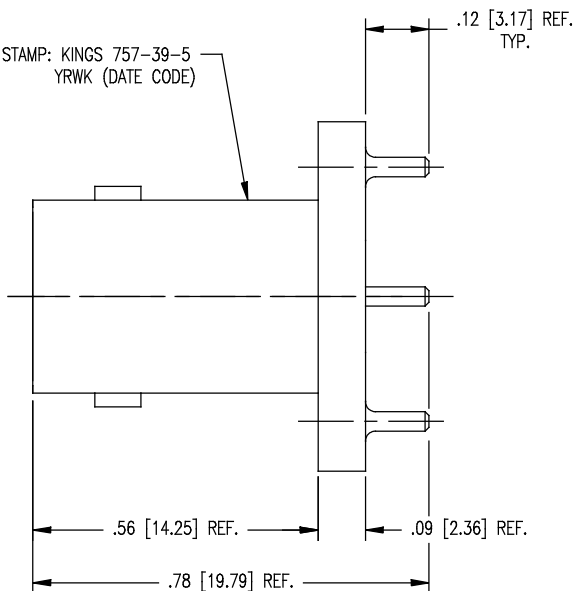
GSD

757-39-5

REVISIONS	
ISSUE	CHANGES
0	ER 39612 JPK 09/07/06



STAMP: KINGS 757-39-5
YRWK (DATE CODE)



757-39-5SD

NOTES:

- INTERFACE PER MIL-STD-348, FIG. 301-2.
- MATERIALS:
INSULATOR: TEFLON, ASTM-D-4894
CENTER CONTACT: BER. COP., ASTM-B-196
BODY: ZINC (ZAMAK #3)
ALL OTHER METAL PARTS: BRASS, ASTM-B16
- FINISHES:
ALL METAL PARTS: SILVER PLATE PER ASTM-B700
- ELECTRICAL CHARACTERISTICS:
NOMINAL IMPEDANCE: 50 OHMS
FREQUENCY RANGE: DC TO 4 GHZ
WORKING VOLTAGE: 500 VRMS

SCALE 4 : 1	
APPROX SURFACE AREA	
USED ON	
REF: EQR 934 & E-20346	
BNC, RECEIPT, PCB MOUNT	
DRAWN J. KENNEDY	DATE 09/06/06
DESIGN J. KENNEDY	DATE 09/06/06
APPR.	DATE

KINGS
ELECTRONICS CO., INC.
ROCK HILL, SOUTH CAROLINA 29730

GSD

757-39-5