



Sav-Con® connector savers

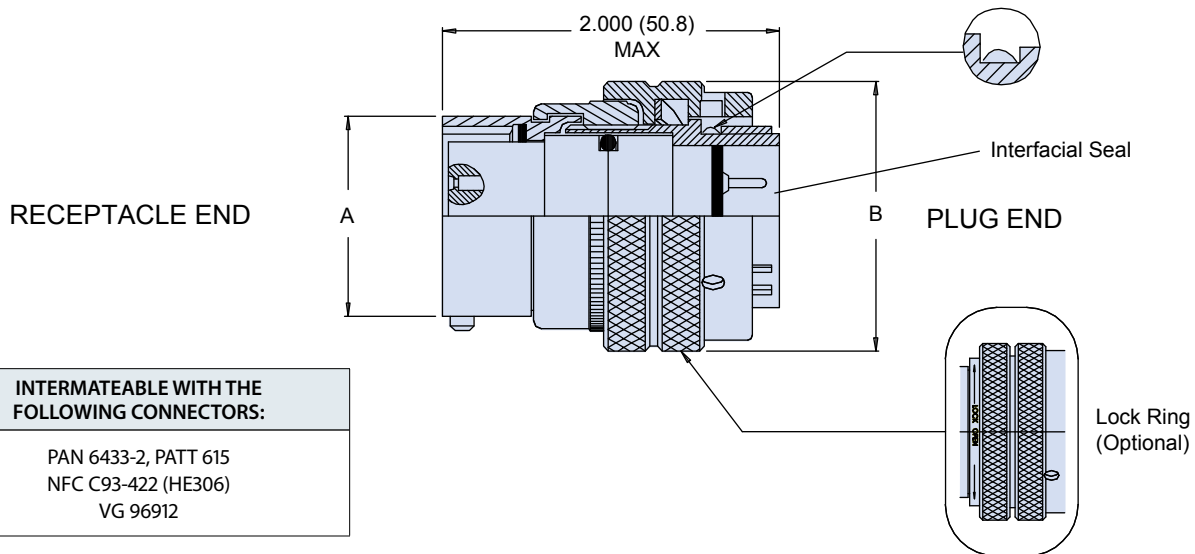
LN 29729 (SJT)

941-008 and 942-008 Bayonet Coupling



941-008 ENVIRONMENTAL AND 942-008 HIGH RELIABILITY WITH BAYONET COUPLING

How To Order										
Sample Part Number	94	1	L	008	NF	28	G	22	P	X
Series	94									
Class	1 = Environmental 2 = High Reliability									
Lock Ring (optional)	L = Lock Ring - (dash) = Standard									
Basic Number	008									
Finish	See Table I									
Shell Size	See Table II									
EMI Ground	G = EMI Ground Spring (optional) - (dash) = Standard									
Insert Arrangement	See Table II									
Contact Type	P = Pins, Plug Side S = Sockets, Plug Side									
Alternate Key Position	W, X, Y, Z (Omit for Normal); See Table II									



Dimensions									
Shell Size	A Ref	B Max	C Max	D Thread Class 2A	Shell Size	A Ref	B Max	C Max	D Thread Class 2A
08S	.500 (12.7)	1.750 (44.5)	.844 (21.4)	1/2 - 28 UNEF	20	1.250 (31.8)	2.125 (54.0)	1.469 (37.3)	1-1/4 - 18 UNEF
08L	.625 (15.9)	1.750 (44.5)	.969 (24.6)	5/8 - 24 UNEF	22	1.375 (34.9)	2.125 (54.0)	1.594 (40.5)	1-3/8 - 18 UNEF
12S	.750 (19.1)	1.750 (44.5)	1.062 (27.0)	3/4 - 20 UNEF	24	1.500 (38.1)	2.125 (54.0)	1.719 (43.7)	1-1/2 - 18 UNEF
12	.750 (19.1)	2.125 (54.0)	1.062 (27.0)	3/4 - 20 UNEF	28	1.750 (44.5)	2.125 (54.0)	1.969 (50.0)	1-3/4 - 18 UNEF
14S	.875 (22.2)	1.750 (44.5)	1.156 (29.4)	7/8 - 20 UNEF	32	2.000 (50.8)	2.125 (54.0)	2.219 (56.4)	2 - 18 UNS
14	.875 (22.2)	2.125 (54.0)	1.156 (29.4)	7/8 - 20 UNEF	36	2.250 (57.2)	2.125 (54.0)	2.469 (62.7)	2-1/4 - 16 UNS
16S	1.000 (25.4)	1.750 (44.5)	1.250 (31.8)	1 - 20 UNEF	40	2.500 (50.8)	2.125 (54.0)	2.719 (69.1)	2-1/2 - 16 UN
16	1.000 (25.4)	2.125 (54.0)	1.250 (31.8)	1 - 20 UNEF	44	2.750 (69.9)	2.125 (54.0)	2.969 (75.4)	2 - 3/4 - 16 UN
18	1.125 (28.6)	2.125 (54.0)	1.344 (34.1)	1-1/8 - 18 UNEF	48	3.000 (76.2)	2.125 (54.0)	3.219 (81.8)	3 - 16 UN



Sav-Con[®] connector savers

LN 29729 (SJT)

Reference Information

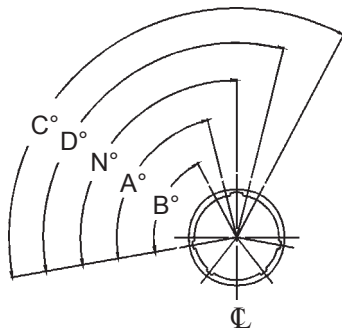


Table I: Material and Finish

Plating Code	Material	Finish
M	Aluminum	Electroless Nickel
B		Cad Plate, Olive Drab
NF		Cadmium Plate Olive Drab over Electroless Nickel
NC		Zinc-Cobalt
ZN		Olive Drab Zinc-Nickel
MT		Ni-PTFE 1000 Hour Grey™ (Nickel Fluorocarbon Polymer)
ZR		Zinc Nickel, Black
ME		Electroless Nickel (RoHS)
ZL	Stainless Steel	Electro-Deposited Nickel

Table II: Insert Arrangements and Keyway Positions

Shell Size Desig	Insert Arrangement Dash No.	Contact Size: Quantity				Alternate Keyway Positions				
		22	20	16	12	N°	A°	B°	C°	D°
08	8-35	6				95	-	-	-	-
	8-44	4								
	8-98		3							
10	10-5		5			95	81	67	123	109
	10-35	13								
	10-98		6							
12	12-4			4		95	75	63	127	115
	12-8		8							
	12-35	22								
	12-98		10							
14	14-5			5		95	74	61	129	116
	14-15		14	1						
	14-18		18							
	14-19		19							
	14-35	37								
	14-97		8	4						
16	16-6				6	95	77	65	125	113
	16-8			8						
	16-26		26							
	16-35	55								
	16-99		21	2						
18	18-11			11		95	77	65	125	113
	18-32		32							
	18-35	66								
20	20-35	79				95	77	65	125	113
	20-11				11					
	20-16			16						
	20-39		37	2						
	20-41		41							
22	22-35	100				95	80	69	121	110
	22-2	85								
	22-21			21						
	22-53		53							
24	24-35	128				95	80	69	121	110
	24-2	100								
	24-19				19					
	24-29			29						
	24-61		61							



FACE VIEW RECEPTACLE
 In alternate positions, the pin insert rotates clockwise while the socket insert rotates counterclockwise the same number of degrees relative to the center line of the master key or keyway.

Consult Factory for Additional Filter Types, TVS Diodes, and other Custom Configurations.