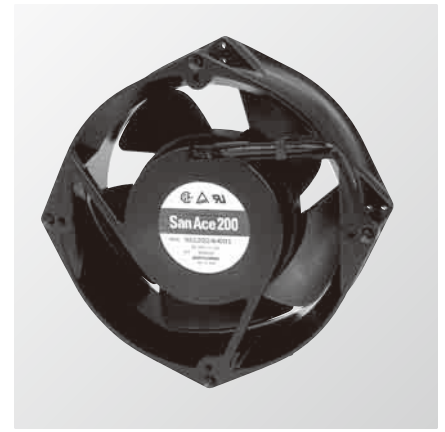


**φ 200mm**

# San Ace 200

70mm thick (GV type), 70mm thick



Model no. 9EC2048J001 is not certified.

## General Specifications

- Material ..... Frame: Aluminum, Impeller: Plastics (Flammability: UL94V-1)
  - Expected Life ..... Refer to specifications (L10:Survival rate:90% at 60°C , rated voltage, and continuously run in a free air state)
  - Lead Wire ..... ⊕red ⊖black or blue (Sensor) yellow
  - Storage Temperature ..... -30°C to +70°C (Non-condensing)
- Power on when current is shut off. Do not power on 10sec or more after power off.

**φ 200mm × 70mm** (Mass : 1800g)

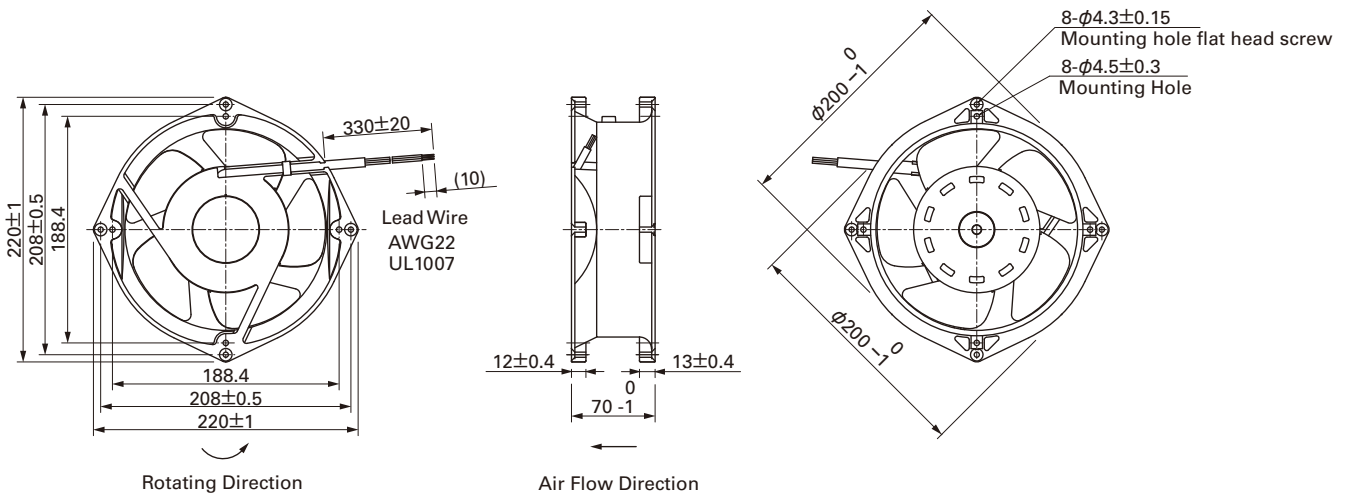
## Specifications

The following nos. **have pulse sensors.**

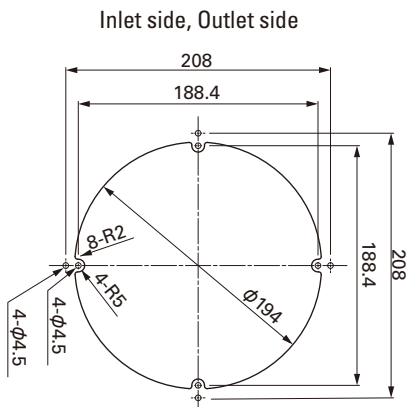
Model No.	Rated Voltage [V]	Operating Voltage Range [V]	Rated Current [A]	Rated Input [W]	Rated Speed [min <sup>-1</sup> ]	Max. Air Flow [m <sup>3</sup> /min] [CFM]	Max. Static Pressure [Pa] [inchH <sub>2</sub> O]	SPL [dB(A)]	Operating Temperature [°C]	Expected Life [h]
9EC2024H001	24	20.4 to 26.4	2.0	48.0	3,600	11.0 388	360 1.446	60	-20 to +60	40,000
9EC2048J001	48	40.8 to 55.2	4.4	211.2	6,100	18.3 646	1,000 4.016	75		
9EC2048A001		43.0 to 51.0	2.2	105.6	4,800	14.7 519	640 2.570	68		
9EC2048H001		40.8 to 52.8	1.2	57.6	3,600	11.0 388	360 1.446	60		

- Available options: ⇒ **Without Sensor**
- Please inquire as the availability of these functions depend on the model. ⇒ **Lock Sensor**

## Dimensions (Unit : mm)



## Reference dimension of mounting holes and vent opening (Unit : mm)



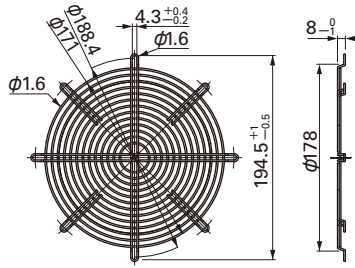
## Options (Unit : mm)

### Finger guards

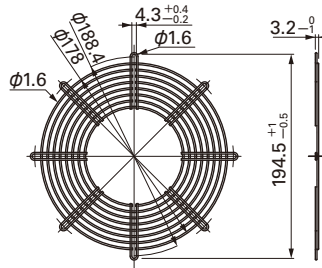
Model : 109-720 Surface treatment : Nickel-chrome plating (silver) Color : 109-720H : Cation electropainting (black)

Model : 109-721 Surface treatment : Nickel-chrome plating (silver) Color : 109-721H : Cation electropainting (black)

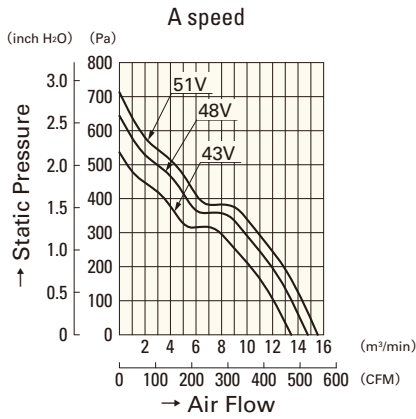
Inlet side, Outlet side



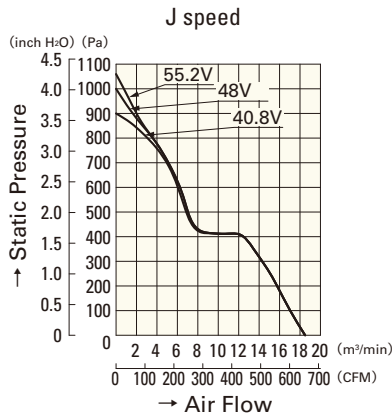
Outlet side



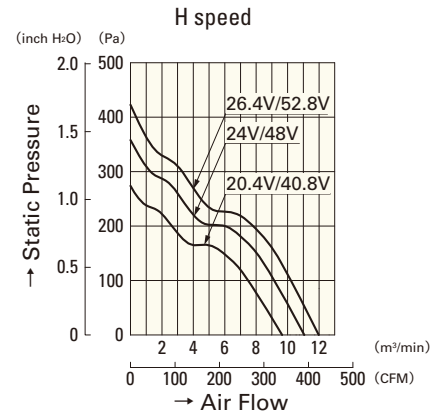
## Air Flow - Static Pressure Characteristics



**9EC2048A001**



**9EC2048J001**



**9EC2024H001**

**9EC2048H001**