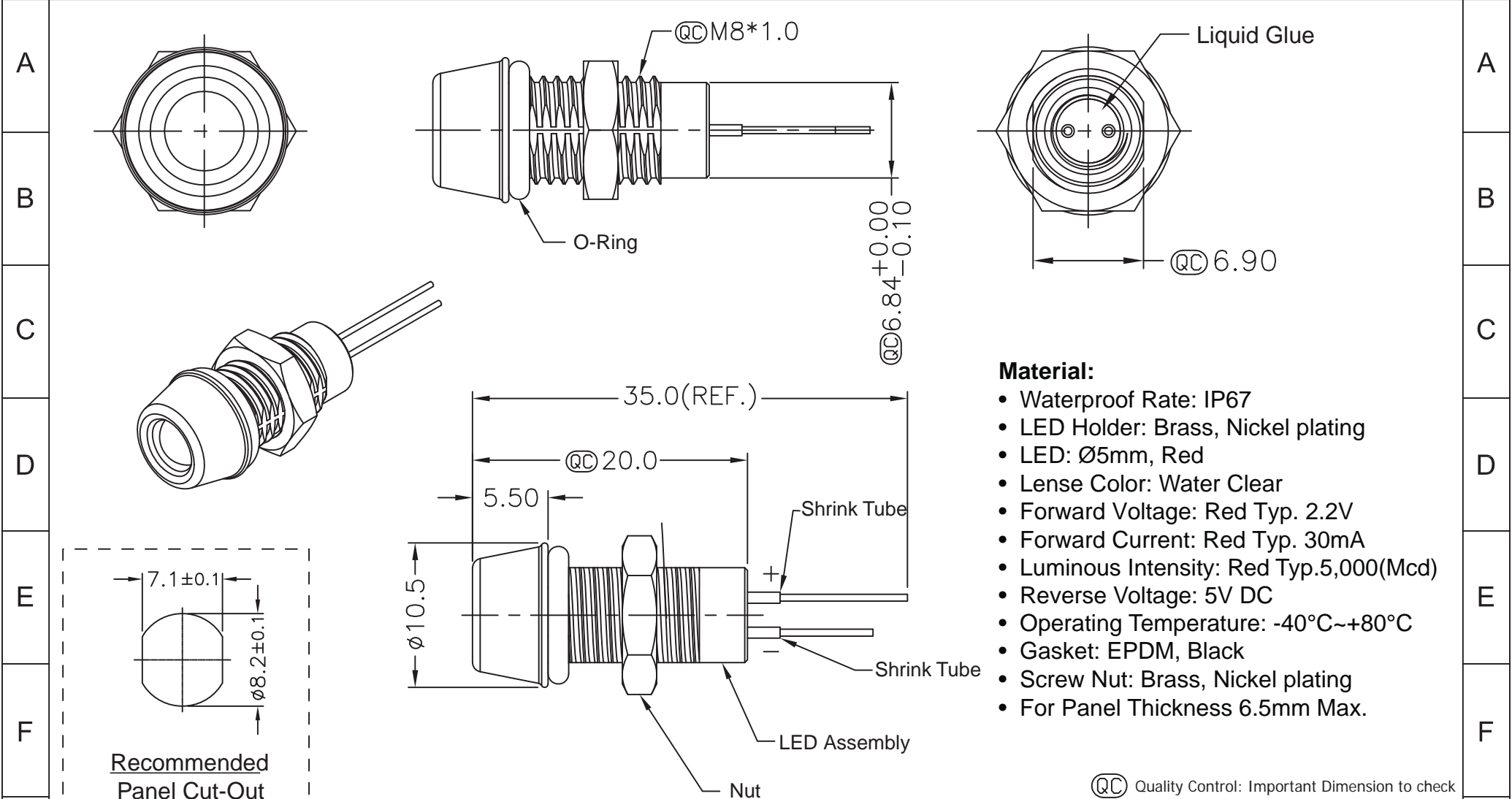


1 2 3 4 5 6 7



- Material:**
- Waterproof Rate: IP67
  - LED Holder: Brass, Nickel plating
  - LED: Ø5mm, Red
  - Lense Color: Water Clear
  - Forward Voltage: Red Typ. 2.2V
  - Forward Current: Red Typ. 30mA
  - Luminous Intensity: Red Typ.5,000(Mcd)
  - Reverse Voltage: 5V DC
  - Operating Temperature: -40°C~+80°C
  - Gasket: EPDM, Black
  - Screw Nut: Brass, Nickel plating
  - For Panel Thickness 6.5mm Max.

QC Quality Control: Important Dimension to check

Recommended Panel Cut-Out

Unit: mm



Scale	Free						Date	Name	Title Waterproof LED Red color, metal, Ø5.0mm
TOLERANCE							Drawn	06.03.14	
X.	±0.3						Approved	06.03.14	Groll
X.X	±X								
X.XX	±X								
DIM	TOL								
X.°	±X°								
X.X°	±X°								
Angle	TOL	Id.	Modification	Date	Name	 1840 W. Drake Drive, Suite 101 • Tempe, AZ 85283 Toll Free: 1-877-277-6266 • Email: info@assmann.us		Replace	Sheet

1 2 3 4 5 6 7