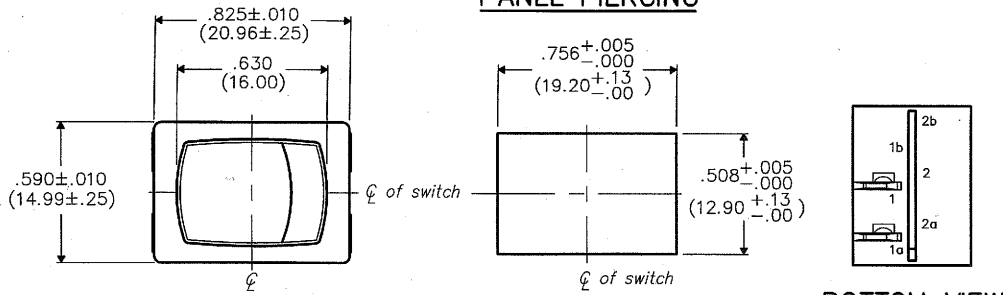


DIMENSIONS IN INCHES (MILLIMETERS)  
DO NOT SCALE DRAWING .....

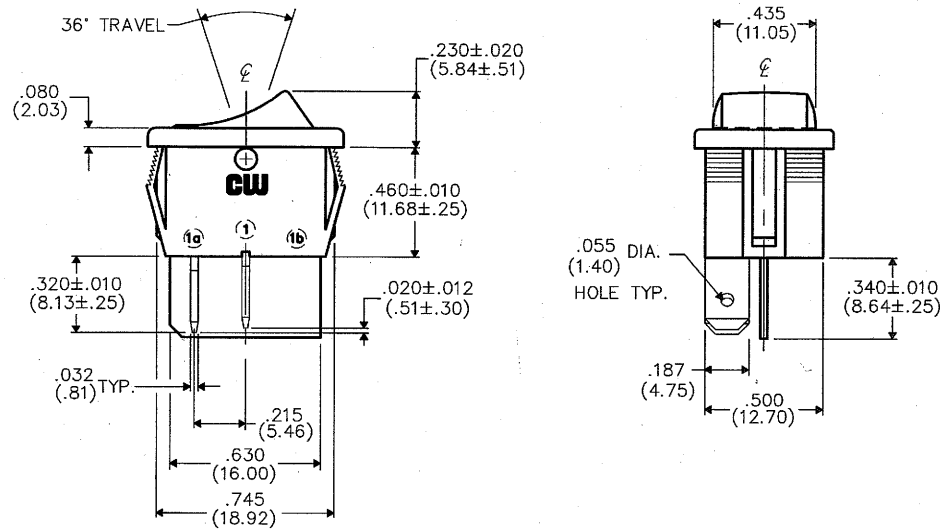
Dwg. No.

GRS-4011-0001

**PANEL PIERCING**



**BOTTOM VIEW**



E  
D  
C  
B  
A

1 2 3 4 5 6 7 8 9 10

FORM-B4	REVISIONS	0										
		1	RELEASED	11-19-2009								
			DGW									
			NOV 24 2009									

<b>CW INDUSTRIES</b>	
Southampton, Pa. 18966	
TOLERANCES UNLESS OTHERWISE SPECIFIED	
2 Place Decimal ±.010	METRIC
3 Place Decimal ±.005	1 Place Dec. ±.25mm
Angles ..... ±1°	2 Place Dec. ±.13mm
Made for: CW IND.	
Drawn by: DGW 11-19-2009	
Checked by: G. Guld 11-20-09	
Approval: G. Guld 11-20-09	

Title: <b>ROCKER SWIDGET ASSEMBLY (POP IN) S.P. - S.T.</b>
Division: <b>SWITCH</b>
Dwg. No. <b>GRS-4011-0001</b>

**MASTER**