
HD74ALVCH16269

12-bit to 24-bit Registered Bus Transceivers with 3-state Outputs

REJ03D0046-0200Z
(Previous ADE-205-136(Z))
Rev.2.00
Oct.02.2003

Description

The HD74ALVCH16269 is used in applications where two separate ports must be multiplexed onto, or demultiplexed from, a single port. The device is particularly suitable as an interface between synchronous DRAMs and high speed microprocessors. Data is stored in the internal B port registers on the low to high transition of the clock (CLK) input when the appropriate clock enable (CLKENA) inputs are low. Proper control of these inputs allows two sequential 12-bit words to be presented as a 24-bit word on the B port. For data transfer in the B to A direction, a single storage register is provided. The select (\overline{SEL}) line selects 1B or 2B data for the A outputs. The register on the A output permits the fastest possible data transfer, thus extending the period that the data is valid on the bus. The control terminals are registered so that all transactions are synchronous with CLK. Data flow is controlled by the active low output enables (\overline{OEA} , $\overline{OEB1}$, $\overline{OEB2}$). Active bus hold circuitry is provided to hold unused or floating data inputs at a valid logic level.

Features

- $V_{CC} = 2.3\text{ V to }3.6\text{ V}$
- Typical V_{OL} ground bounce $< 0.8\text{ V}$ ($@V_{CC} = 3.3\text{ V, }T_a = 25^\circ\text{C}$)
- Typical V_{OH} undershoot $> 2.0\text{ V}$ ($@V_{CC} = 3.3\text{ V, }T_a = 25^\circ\text{C}$)
- High output current $\pm 24\text{ mA}$ ($@V_{CC} = 3.0\text{ V}$)
- Bus hold on data inputs eliminates the need for external pullup / pulldown resistors

Function Table

| Inputs | | | Outputs | |
|--------|------------------|------------------|---------|--------|
| CLK | $\overline{OE}A$ | $\overline{OE}B$ | A | 1B, 2B |
| ↑ | H | H | Z | Z |
| ↑ | H | L | Z | Active |
| ↑ | L | H | Active | Z |
| ↑ | L | L | Active | Active |

Output enable

| Inputs | | | Outputs | | |
|---------|----------------------|-----|---------|-------------------------------|-------------------------------|
| CLKENA1 | $\overline{CLKENA}2$ | CLK | A | 1B | 2B |
| H | H | X | X | 1B ₀ ^{*1} | 2B ₀ ^{*1} |
| L | X | ↑ | L | L | X |
| L | X | ↑ | H | H | X |
| X | L | ↑ | L | X | L |
| X | L | ↑ | H | X | H |

A-to-B storage ($\overline{OE}B = L$)

| Inputs | | | | Output A |
|--------|-----|----|----|------------------------------|
| CLK | SEL | 1B | 2B | |
| X | H | X | X | A ₀ ^{*1} |
| X | L | X | X | A ₀ ^{*1} |
| ↑ | H | L | X | L |
| ↑ | H | H | X | H |
| ↑ | L | X | L | L |
| ↑ | L | X | H | H |

B-to-A storage ($\overline{OE}A = L$)

H : High level

L : Low level

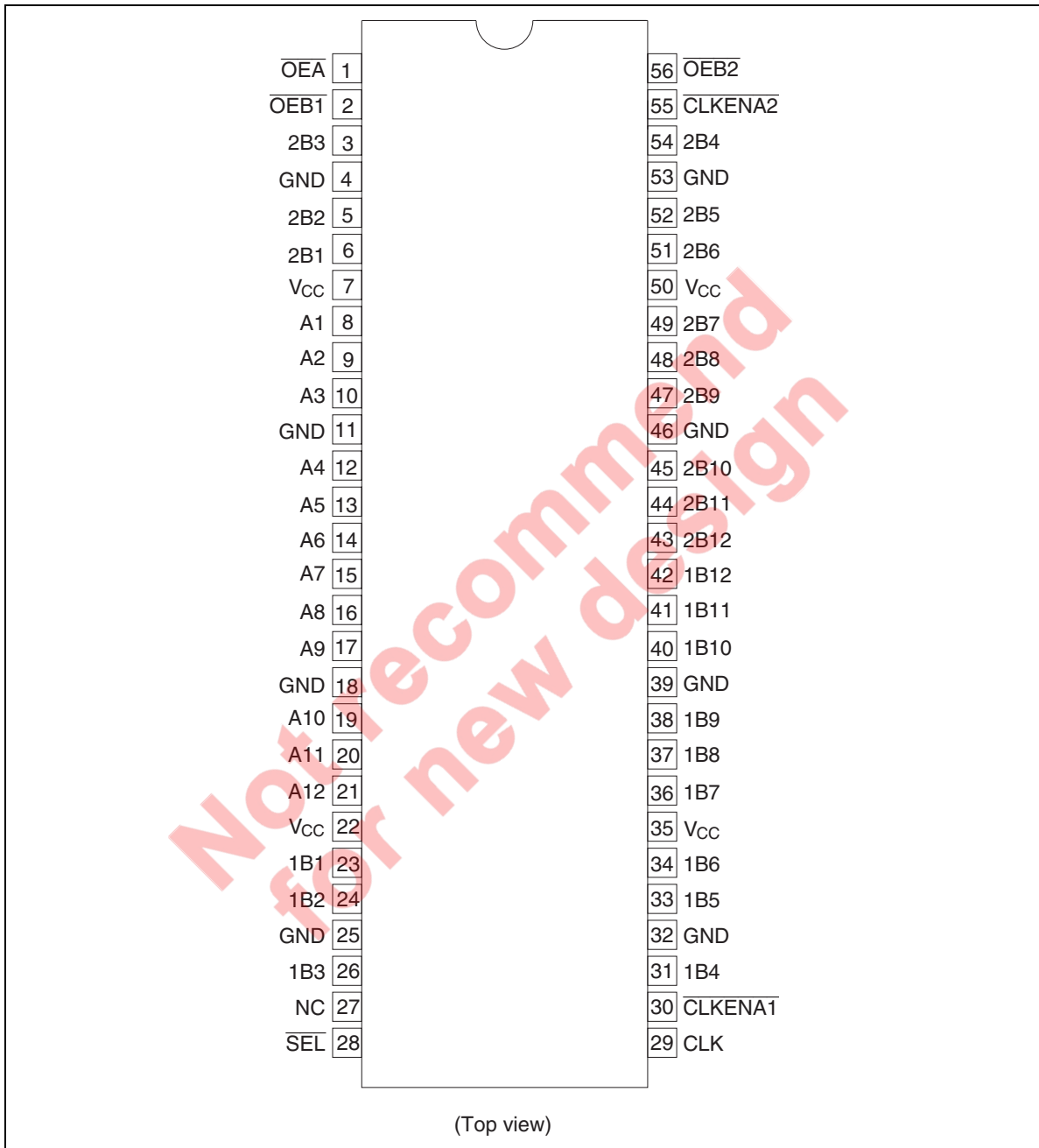
X : Immaterial

Z : High impedance

↑ : Low to high transition

Note: 1. Output level before the indicated steady state input conditions were established.

Pin Arrangement



Absolute Maximum Ratings

| Item | Symbol | Ratings | Unit | Conditions |
|--|-----------|---------------------------------------|------|-------------------------------|
| Supply voltage | V_{CC} | -0.5 to 4.6 | V | |
| Input voltage ^{*1,2} | V_I | -0.5 to 4.6 -0.5 to $V_{CC} + 0.5$ | V | Except I/O ports I/O ports |
| Output voltage ^{*1,2} | V_O | -0.5 to $V_{CC} + 0.5$ | V | |
| Input clamp current | I_{IK} | -50 | mA | $V_I < 0$ |
| Output clamp current | I_{OK} | ±50 | mA | $V_O < 0$ or $V_O > V_{CC}$ |
| Continuous output current | I_O | ±50 ±100 | mA | $V_O = 0$ to V_{CC} |
| Maximum power dissipation at $T_a = 55^\circ\text{C}$ (in still air) ^{*3} | P_T | 1 | W | TSSOP |
| Storage temperature | T_{stg} | -65 to 150 | °C | |

Notes: Stresses beyond those listed under “absolute maximum ratings” may cause permanent damage to the device. These are stress ratings only, and functional operation of the device at these or any other conditions beyond those indicated under “recommended operating conditions” is not implied. Exposure to absolute maximum rated conditions for extended periods may affect device reliability.

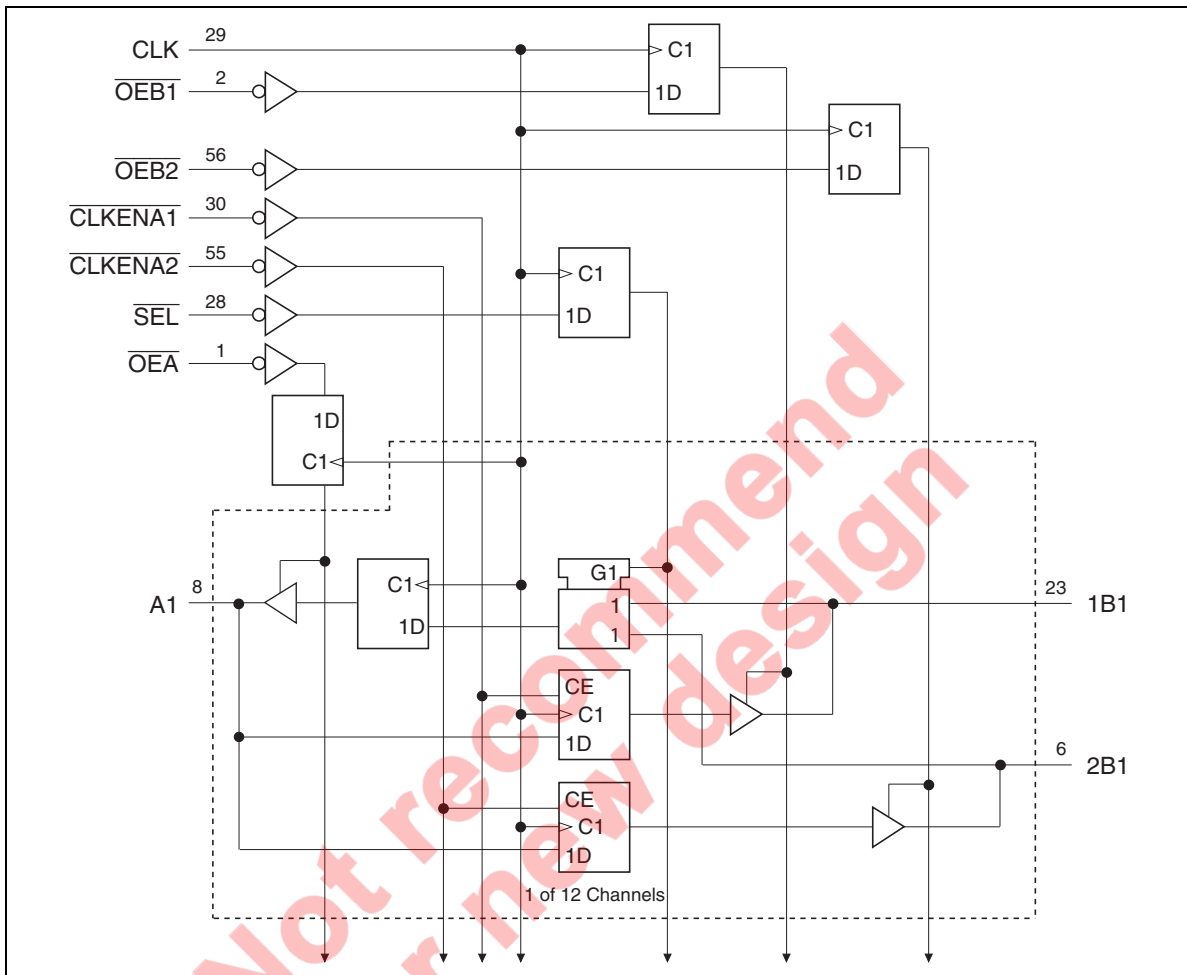
1. The input and output negative voltage ratings may be exceeded if the input and output clamp current ratings are observed.
2. This value is limited to 4.6 V maximum.
3. The maximum package power dissipation is calculated using a junction temperature of 150°C and a board trace length of 750 mils.

Recommended Operating Conditions

| Item | Symbol | Min | Max | Unit | Conditions |
|------------------------------------|-----------------------|-----|-------------------|--------|---|
| Supply voltage | V_{CC} | 2.3 | 3.6 | V | |
| Input voltage | V_I | 0 | V_{CC} | V | |
| Output voltage | V_O | 0 | V_{CC} | V | |
| High level output current | I_{OH} | — | -12 -12 -24 | mA | $V_{CC} = 2.3\text{ V}$ $V_{CC} = 2.7\text{ V}$ $V_{CC} = 3.0\text{ V}$ |
| Low level output current | I_{OL} | — | 12 12 24 | mA | $V_{CC} = 2.3\text{ V}$ $V_{CC} = 2.7\text{ V}$ $V_{CC} = 3.0\text{ V}$ |
| Input transition rise or fall rate | $\Delta t / \Delta v$ | 0 | 10 | ns / V | |
| Operating temperature | T_a | -40 | 85 | °C | |

Note: Unused control inputs must be held high or low to prevent them from floating.

Logic Diagram



Electrical Characteristics

(Ta = -40 to 85°C)

| Item | Symbol | V _{CC} (V) ^{*1} | Min | Max | Unit | Test Conditions |
|--------------------------|------------------------|--|----------------------|------|------|--|
| Input voltage | V _{IH} | 2.3 to 2.7 | 1.7 | — | V | |
| | | 2.7 to 3.6 | 2.0 | — | | |
| | V _{IL} | 2.3 to 2.7 | — | 0.7 | | |
| | | 2.7 to 3.6 | — | 0.8 | | |
| Output voltage | V _{OH} | Min to Max | V _{CC} -0.2 | — | V | I _{OH} = -100 μA |
| | | 2.3 | 2.0 | — | | I _{OH} = -6 mA, V _{IH} = 1.7 V |
| | | 2.3 | 1.7 | — | | I _{OH} = -12 mA, V _{IH} = 1.7 V |
| | | 2.7 | 2.2 | — | | I _{OH} = -12 mA, V _{IH} = 2.0 V |
| | | 3.0 | 2.4 | — | | I _{OH} = -12 mA, V _{IH} = 2.0 V |
| | | 3.0 | 2.0 | — | | I _{OH} = -24 mA, V _{IH} = 2.0 V |
| | V _{OL} | Min to Max | — | 0.2 | | I _{OL} = 100 μA |
| | | 2.3 | — | 0.4 | | I _{OL} = 6 mA, V _{IL} = 0.7 V |
| | | 2.3 | — | 0.7 | | I _{OL} = 12 mA, V _{IL} = 0.7 V |
| | | 2.7 | — | 0.4 | | I _{OL} = 12 mA, V _{IL} = 0.8 V |
| | | 3.0 | — | 0.55 | | I _{OL} = 24 mA, V _{IL} = 0.8 V |
| | | 3.0 | — | 0.55 | | I _{OL} = 24 mA, V _{IL} = 0.8 V |
| Input current | I _{IN} | 3.6 | — | ±5 | μA | V _{IN} = V _{CC} or GND |
| | I _{IN (hold)} | 2.3 | 45 | — | | V _{IN} = 0.7 V |
| | | 2.3 | -45 | — | | V _{IN} = 1.7 V |
| | | 3.0 | 75 | — | | V _{IN} = 0.8 V |
| | | 3.0 | -75 | — | | V _{IN} = 2.0 V |
| | | 3.6 | — | ±500 | | V _{IN} = 0 to 3.6 V |
| | | Off state output current ^{*2} | I _{OZ} | 3.6 | | — |
| Quiescent supply current | I _{CC} | 3.6 | — | 40 | μA | V _{IN} = V _{CC} or GND |
| | ΔI _{CC} | 3.0 to 3.6 | — | 750 | μA | V _{IN} = one input at (V _{CC} -0.6) , other inputs at V _{CC} or GND |

- Notes: 1. For conditions shown as Min or Max, use the appropriate values under recommended operating conditions.
 2. For I/O ports, the parameter I_{OZ} includes the input leakage current.

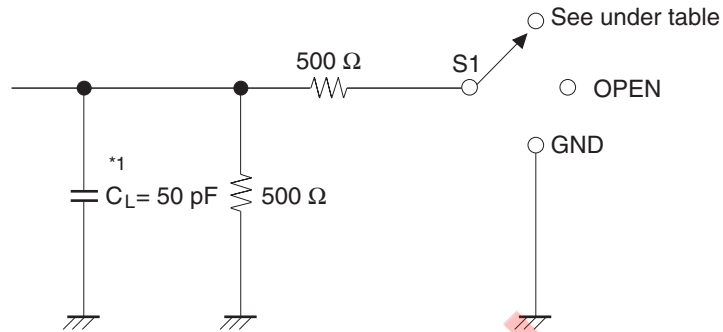
Switching Characteristics

| Item | Symbol | V _{CC} (V) | Min | Typ | Max | Unit | FROM (Input) | TO (Output) |
|-------------------------|-------------------|---------------------|-----|-----|-----|------|----------------|-------------|
| Maximum clock frequency | f _{max} | 2.5±0.2 | 135 | — | — | MHz | | |
| | | 2.7 | 135 | — | — | | | |
| | | 3.3±0.3 | 135 | — | — | | | |
| Propagation delay time | t _{PLH} | 2.5±0.2 | 1.0 | — | 8.8 | ns | CLK | B |
| | | 2.7 | — | — | 7.3 | | | |
| | 3.3±0.3 | 1.0 | — | 6.2 | | | | |
| | 2.5±0.2 | 1.0 | — | 7.0 | A | | | |
| | 2.7 | — | — | 5.8 | | | | |
| | 3.3±0.3 | 1.0 | — | 5.0 | | | | |
| Output enable time | t _{ZH} | 2.5±0.2 | 1.0 | — | 8.4 | ns | CLK | B |
| | | 2.7 | — | — | 6.7 | | | |
| | 3.3±0.3 | 1.0 | — | 6.1 | | | | |
| | 2.5±0.2 | 1.0 | — | 8.1 | A | | | |
| | 2.7 | — | — | 6.2 | | | | |
| | 3.3±0.3 | 1.0 | — | 5.9 | | | | |
| Output disable time | t _{HZ} | 2.5±0.2 | 1.4 | — | 8.3 | ns | CLK | B |
| | | 2.7 | — | — | 6.9 | | | |
| | 3.3±0.3 | 1.0 | — | 6.1 | | | | |
| | 2.5±0.2 | 1.5 | — | 7.7 | A | | | |
| | 2.7 | — | — | 6.8 | | | | |
| | 3.3±0.3 | 1.0 | — | 5.6 | | | | |
| Input capacitance | C _{IN} | 3.3 | — | 3.5 | — | pF | Control inputs | |
| Output capacitance | C _{IN/O} | 3.3 | — | 9.0 | — | pF | A or B ports | |

Switching Characteristics (cont.)

| Item | Symbol | V _{CC} (V) | Min | Typ | Max | Unit | FROM (Input) |
|-------------|-----------------|---------------------|-----|-----|-----|------|----------------------------------|
| Setup time | t _{su} | 2.5±0.2 | 2.0 | — | — | ns | A data before CLK↑ |
| | | 2.7 | 2.0 | — | — | | |
| | | 3.3±0.3 | 1.7 | — | — | | |
| | | 2.5±0.2 | 2.2 | — | — | | B data before CLK↑ |
| | | 2.7 | 2.1 | — | — | | |
| | | 3.3±0.3 | 1.8 | — | — | | |
| | | 2.5±0.2 | 1.6 | — | — | | SEL before CLK↑ |
| | | 2.7 | 1.6 | — | — | | |
| | | 3.3±0.3 | 1.3 | — | — | | |
| | | 2.5±0.2 | 1.0 | — | — | | CLKENA1 or CLKENA2 before LK↑ |
| | | 2.7 | 1.2 | — | — | | |
| | | 3.3±0.3 | 0.9 | — | — | | |
| | | 2.5±0.2 | 1.5 | — | — | | OE before CLK↑ |
| | | 2.7 | 1.6 | — | — | | |
| | | 3.3±0.3 | 1.3 | — | — | | |
| Hold time | t _h | 2.5±0.2 | 0.7 | — | — | ns | A data after CLK↑ |
| | | 2.7 | 0.6 | — | — | | |
| | | 3.3±0.3 | 0.6 | — | — | | |
| | | 2.5±0.2 | 0.7 | — | — | | B data after CLK↑ |
| | | 2.7 | 0.6 | — | — | | |
| | | 3.3±0.3 | 0.6 | — | — | | |
| | | 2.5±0.2 | 1.1 | — | — | | SEL after CLK↑ |
| | | 2.7 | 0.7 | — | — | | |
| | | 3.3±0.3 | 0.7 | — | — | | |
| | | 2.5±0.2 | 1.0 | — | — | | CLKENA1 or CLKENA2 after CLK↑ |
| | | 2.7 | 0.8 | — | — | | |
| | | 3.3±0.3 | 1.1 | — | — | | |
| | | 2.5±0.2 | 0.8 | — | — | | OE after CLK↑ |
| | | 2.7 | 0.8 | — | — | | |
| | | 3.3±0.3 | 0.8 | — | — | | |
| Pulse width | t _w | 2.5±0.2 | 3.3 | — | — | ns | CLK "H" or "L" |
| | | 2.7 | 3.3 | — | — | | |
| | | 3.3±0.3 | 3.3 | — | — | | |

• Test Circuit

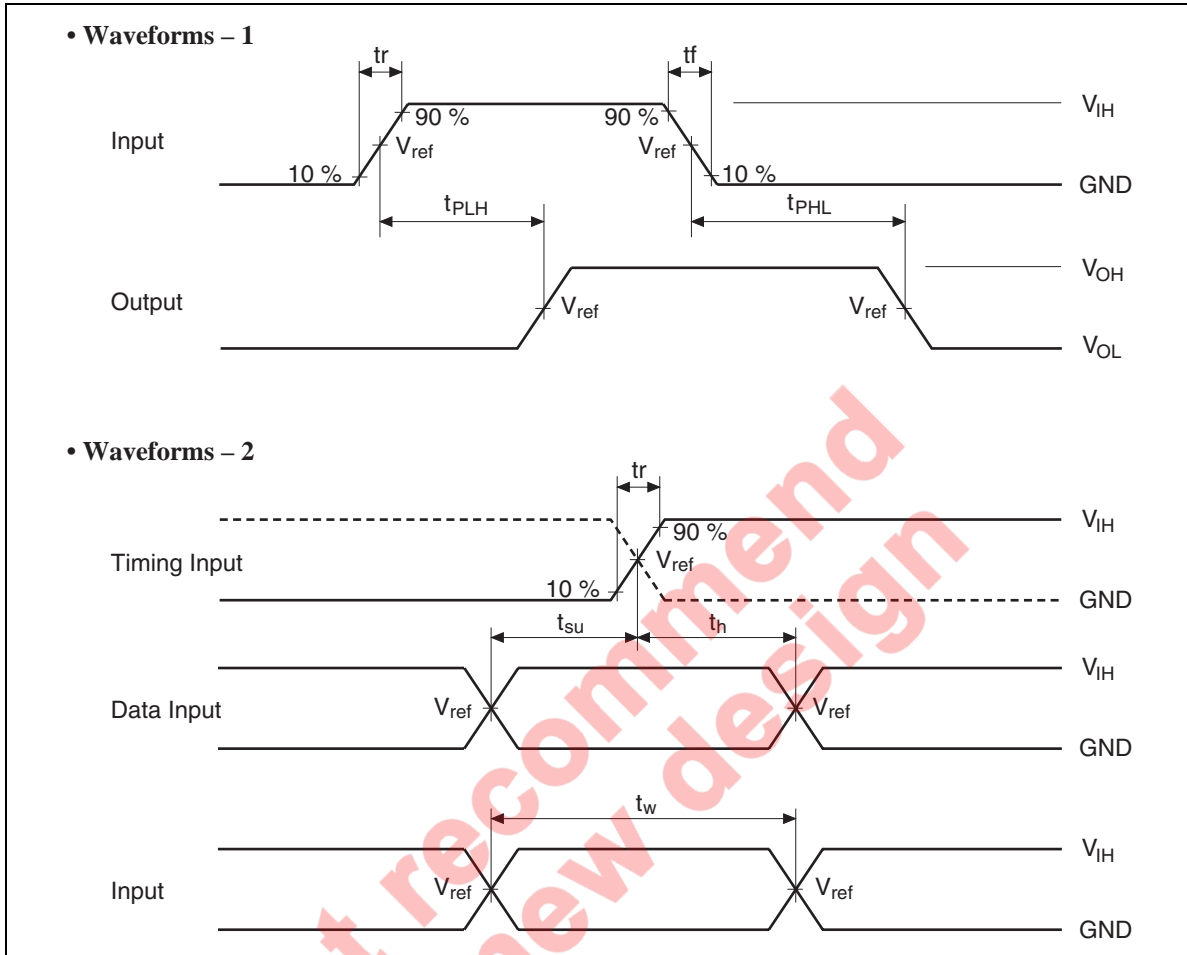


Load Circuit for Outputs

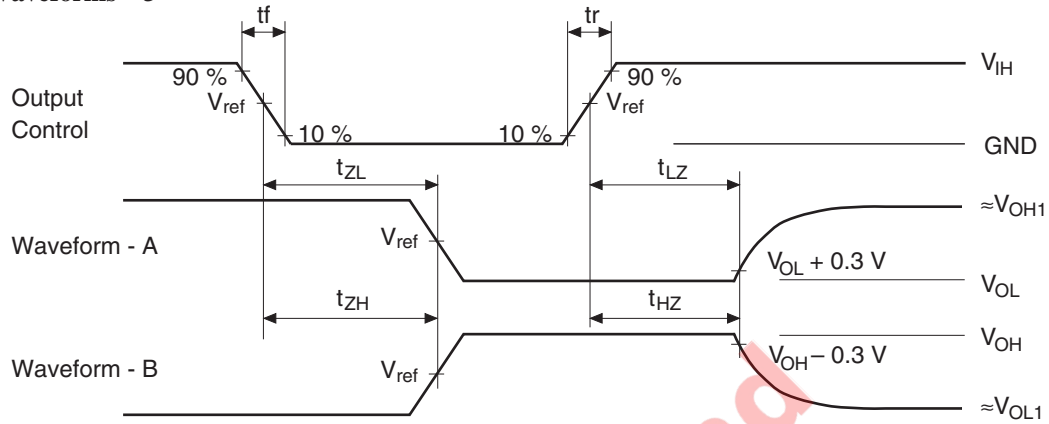
| Symbol | V _{CC} =2.5±0.2V | V _{CC} =2.7V, 3.3±0.3V |
|---|---------------------------|------------------------------------|
| t _{PLH} /t _{PHL} | OPEN | OPEN |
| t _{su} /t _h /t _w | OPEN | OPEN |
| t _{ZH} /t _{HZ} | GND | GND |
| t _{ZL} /t _{LZ} | 4.6 V | 6.0 V |

Note: 1. C_L includes probe and jig capacitance.

Not recommended for new design



• Waveforms – 3



| TEST | $V_{CC}=2.5\pm 0.2V$ | $V_{CC}=2.7V, 3.3\pm 0.3V$ |
|-----------|----------------------|----------------------------|
| V_{IH} | 2.3 V | 2.7 V |
| V_{ref} | 1.2 V | 1.5 V |
| V_{OH1} | 2.3 V | 3.0 V |
| V_{OL1} | GND | GND |

- Notes:
1. All input pulses are supplied by generators having the following characteristics: $PRR \leq 10 \text{ MHz}$, $Z_o = 50 \Omega$, $t_r \leq 2.5 \text{ ns}$, $t_f \leq 2.5 \text{ ns}$.
 2. Waveform – A is for an output with internal conditions such that the output is low except when disabled by the output control.
 3. Waveform – B is for an output with internal conditions such that the output is high except when disabled by the output control.
 4. The output are measured one at a time with one transition per measurement.

RENESAS Technology Corp. Sales Strategic Planning Div. Nippon Bldg., 2-6-2, Ohte-machi, Chiyoda-ku, Tokyo 100-0004, Japan

Keep safety first in your circuit designs!

1. Renesas Technology Corp. puts the maximum effort into making semiconductor products better and more reliable, but there is always the possibility that trouble may occur with them. Trouble with semiconductors may lead to personal injury, fire or property damage.
Remember to give due consideration to safety when making your circuit designs, with appropriate measures such as (i) placement of substitutive, auxiliary circuits, (ii) use of nonflammable material or (iii) prevention against any malfunction or mishap.

Notes regarding these materials

1. These materials are intended as a reference to assist our customers in the selection of the Renesas Technology Corp. product best suited to the customer's application; they do not convey any license under any intellectual property rights, or any other rights, belonging to Renesas Technology Corp. or a third party.
2. Renesas Technology Corp. assumes no responsibility for any damage, or infringement of any third-party's rights, originating in the use of any product data, diagrams, charts, programs, algorithms, or circuit application examples contained in these materials.
3. All information contained in these materials, including product data, diagrams, charts, programs and algorithms represents information on products at the time of publication of these materials, and are subject to change by Renesas Technology Corp. without notice due to product improvements or other reasons. It is therefore recommended that customers contact Renesas Technology Corp. or an authorized Renesas Technology Corp. product distributor for the latest product information before purchasing a product listed herein.
The information described here may contain technical inaccuracies or typographical errors.
Renesas Technology Corp. assumes no responsibility for any damage, liability, or other loss rising from these inaccuracies or errors.
Please also pay attention to information published by Renesas Technology Corp. by various means, including the Renesas Technology Corp. Semiconductor home page (<http://www.renesas.com>).
4. When using any or all of the information contained in these materials, including product data, diagrams, charts, programs, and algorithms, please be sure to evaluate all information as a total system before making a final decision on the applicability of the information and products. Renesas Technology Corp. assumes no responsibility for any damage, liability or other loss resulting from the information contained herein.
5. Renesas Technology Corp. semiconductors are not designed or manufactured for use in a device or system that is used under circumstances in which human life is potentially at stake. Please contact Renesas Technology Corp. or an authorized Renesas Technology Corp. product distributor when considering the use of a product contained herein for any specific purposes, such as apparatus or systems for transportation, vehicular, medical, aerospace, nuclear, or undersea repeater use.
6. The prior written approval of Renesas Technology Corp. is necessary to reprint or reproduce in whole or in part these materials.
7. If these products or technologies are subject to the Japanese export control restrictions, they must be exported under a license from the Japanese government and cannot be imported into a country other than the approved destination.
Any diversion or reexport contrary to the export control laws and regulations of Japan and/or the country of destination is prohibited.
8. Please contact Renesas Technology Corp. for further details on these materials or the products contained therein.



RENESAS SALES OFFICES

<http://www.renesas.com>

Renesas Technology America, Inc.
450 Holger Way, San Jose, CA 95134-1368, U.S.A
Tel: <1> (408) 382-7500 Fax: <1> (408) 382-7501

Renesas Technology Europe Limited.
Dukes Meadow, Millboard Road, Bourne End, Buckinghamshire, SL8 5FH, United Kingdom
Tel: <44> (1628) 585 100, Fax: <44> (1628) 585 900

Renesas Technology Europe GmbH
Dornacher Str. 3, D-85622 Feldkirchen, Germany
Tel: <49> (89) 380 70 0, Fax: <49> (89) 929 30 11

Renesas Technology Hong Kong Ltd.
7/F., North Tower, World Finance Centre, Harbour City, Canton Road, Hong Kong
Tel: <852> 2265-6688, Fax: <852> 2375-6836

Renesas Technology Taiwan Co., Ltd.
FL 10, #99, Fu-Hsing N. Rd., Taipei, Taiwan
Tel: <886> (2) 2715-2888, Fax: <886> (2) 2713-2999

Renesas Technology (Shanghai) Co., Ltd.
26/F., Ruijin Building, No.205 Maoming Road (S), Shanghai 200020, China
Tel: <86> (21) 6472-1001, Fax: <86> (21) 6415-2952

Renesas Technology Singapore Pte. Ltd.
1, Harbour Front Avenue, #06-10, Keppel Bay Tower, Singapore 098632
Tel: <65> 6213-0200, Fax: <65> 6278-8001