

Features

- Low Profile 4.0mm
- Low Cost
- Wide Input Range (5V - 36V)
- Short Circuit Protection
- Castellated Connections

Selection Guide

Part Number	Input Range (VDC)	Output Voltage (VDC)	Output Current (mA)	Efficiency (%)
ROF-78E3.3-0.5SMD-R	5 - 36	3.3	500	73 - 84
ROF-78E5.0-0.5SMD-R	9 - 36	5.0	500	79 - 87

Specifications (measured at Ta=25°C, Full Load after Warm-Up)

Input Voltage Range	5 - 36 VDC (12/24V typ)	
No Load Input Current	5mA max.	
Maximum Input Current	0.5A max.	
Short Circuit Input Current	200mA max.	
Voltage Accuracy	±5% max.	
Line Regulation	(LL to HL at Full Load)	±1% max.
Load Regulation	(10 ~ 100%)	±3% max.
Minimum Load*	10%	
Ripple & Noise	(20MHz Limited)	100mV max.
Transient Response	100% ~ 50% Load	±100mV
(20MHz Limited)	100% ~ 10% Load	±200mV
Operating Frequency	650KHz typ.	
ON/OFF Enable Pin	ON: Open or >1.75V	
(max. Input Voltage = 5V)	OFF: GND or <0.7V	
Standby Current	when enable pin = OFF	3.5µA typ. / 6.5µA max.
Current Limit	950mA typ.	
Short Circuit Protection	Auto Recovery	
Operating Temperature	-40°C ~ 85°C	
Storage Temperature	-55°C ~ 125°C	
Humidity	95% RH	
Dimensions (L x W x H)	12.5 x 13.5 x 4.0 mm	
Weight	1g	
Cooling Method	Free Air Convection	
MTBF (25°C)	MIL-HDBK-217F	3500 x 10 ³ hours

*Operation at no load will not damage these devices, but they may not meet all of the datasheet specifications.

INNOLINE

DC/DC-Converter

with 3 year Warranty

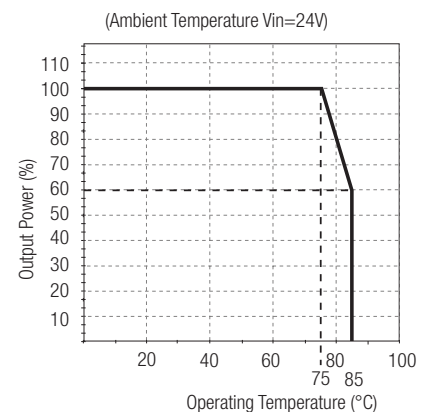
RECOM

Non Isolated Power Module



ROF-78E

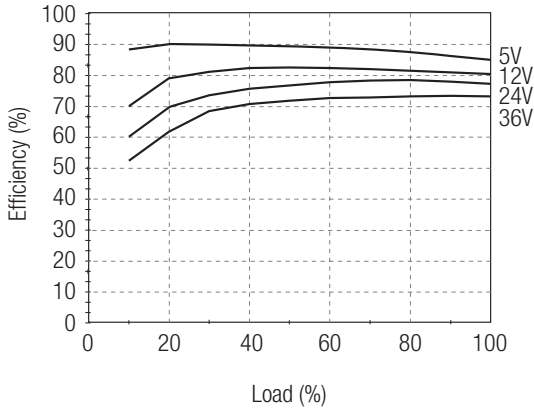
Derating-Graph (Ambient Temperature)



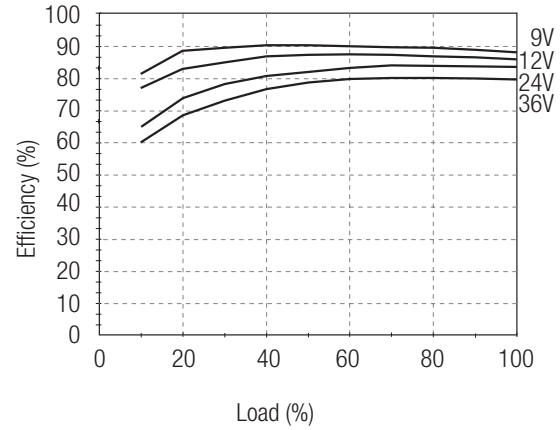
Refer to Application Notes

Characteristics

Efficiency

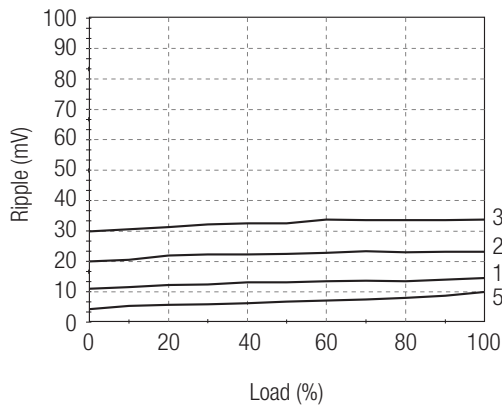


ROF-78E3.3-0.5SMD

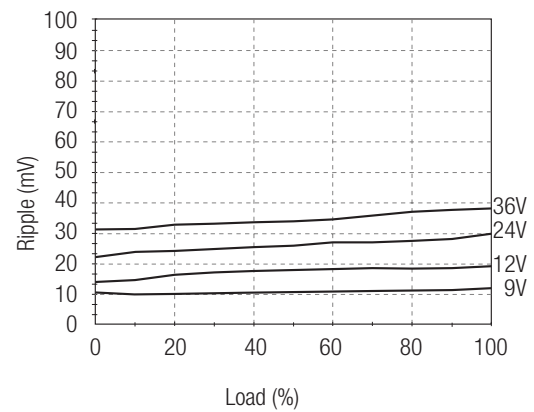


ROF-78E5.0-0.5SMD

Ripple



ROF-78E3.3-0.5SMD

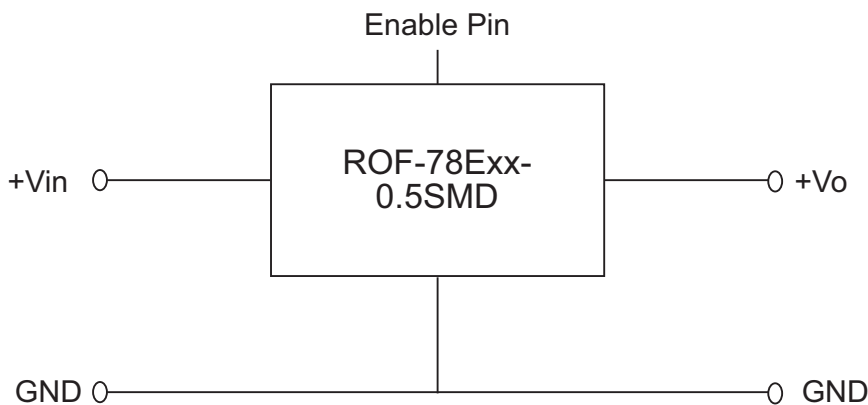


ROF-78E5.0-0.5SMD

ROF-78E

Applications

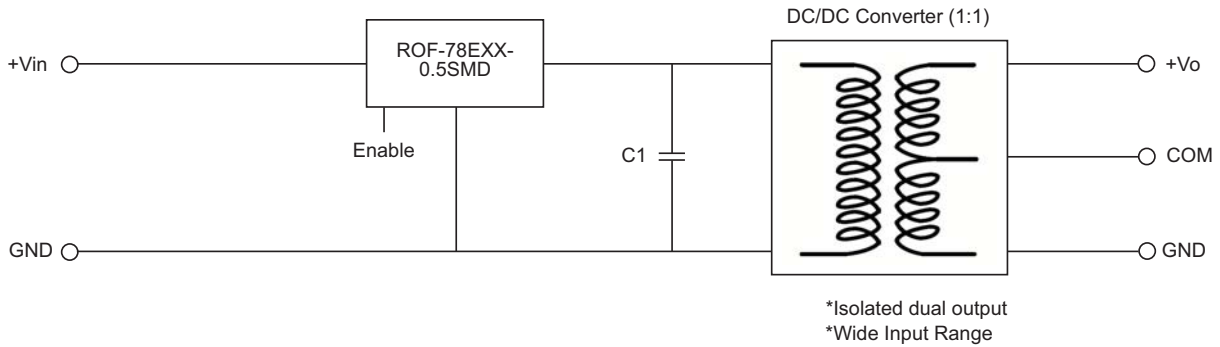
Standard Application Circuit



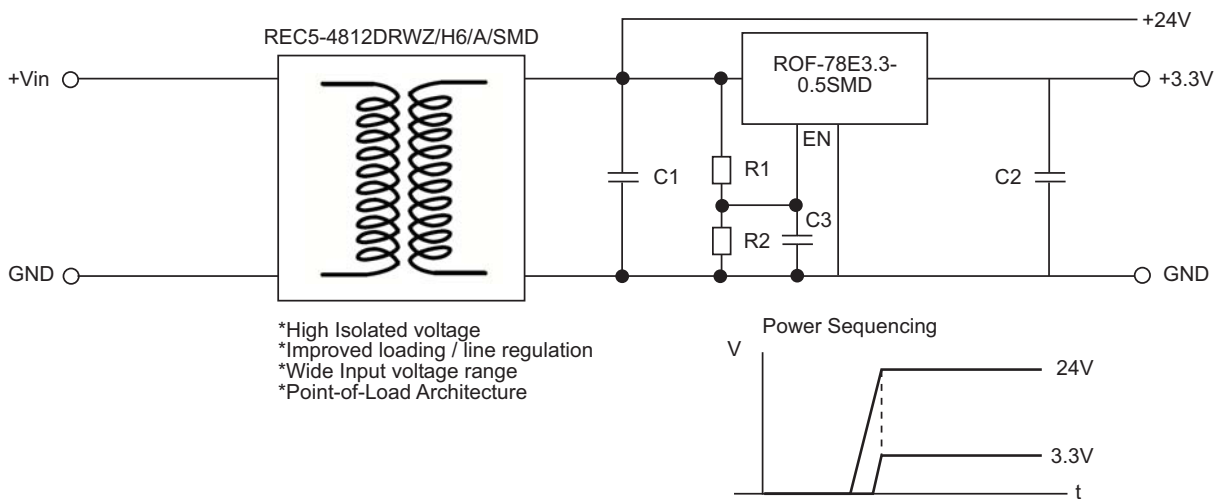
Applications

Application Examples

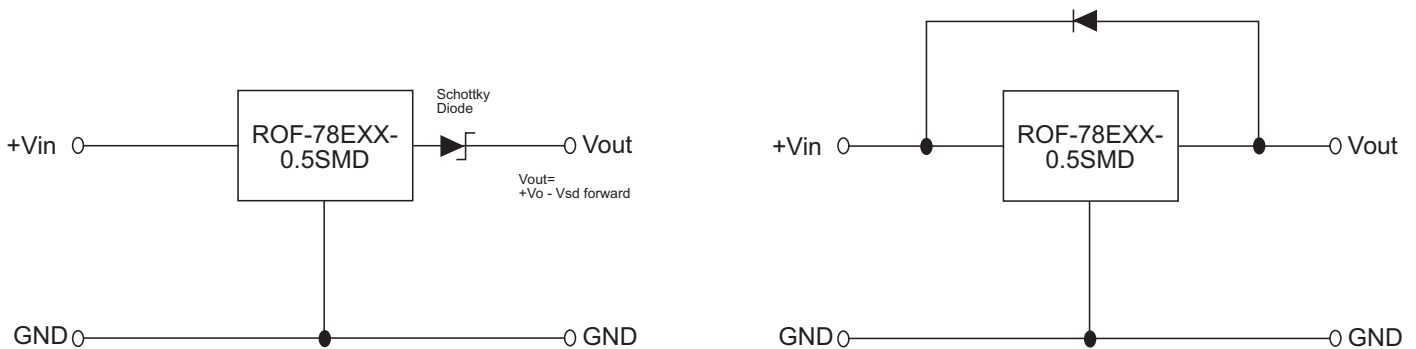
High efficiency, isolated, dual unregulated outputs



Isolated (Up to 6KV), wide input range regulated output



Optional Protection Circuit



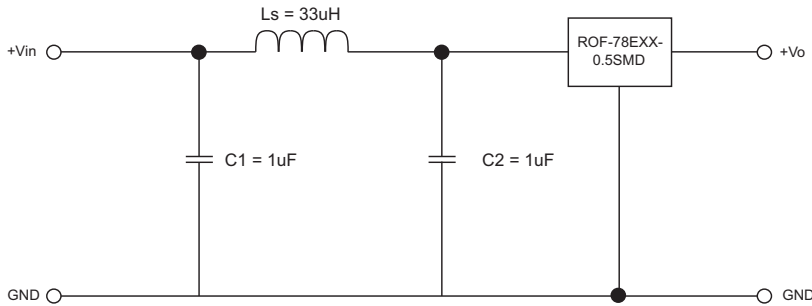
Add a blocking diode to Vout if current can flow backwards into the output, as this can damage the converter when it is powered down.

The diode can either be fitted across the device if the source is low impedance or fitted in series with the output.

Applications

Conduction / Radiation Emission Filter Suggestion

Suggestion for conduction Emission Class A, meet radiation emission Class B

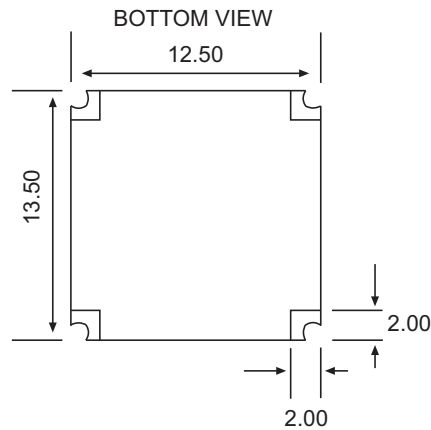
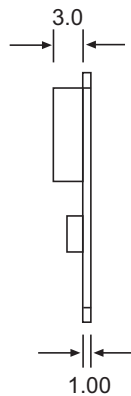
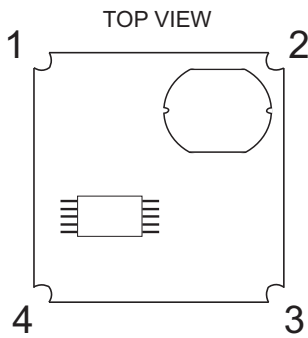


The capacitors used are ceramic capacitors, rated voltage 50V

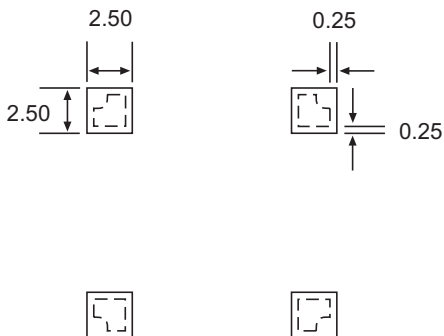
Package Style and Pinning (mm)

ROF-78EXX-0.5SMD
Surface Mount Package

ROF-78E



Recommended Footprint Details



Pin Connections

Pin #	Out
1	+Vin
2	GND
3	+Vout
4	EN

XX.X ± 0.5 mm
XX.XX ± 0.25 mm

The product information and specifications are subject to change without prior notice. RECOM products are not authorized for use in safety-critical applications (such as life support) without RECOM's explicit written consent. A safety-critical application is defined as an application where a failure of a RECOM product may reasonably be expected to endanger or cause loss of life, inflict bodily harm or damage property. The buyer shall indemnify and hold harmless RECOM, its affiliated companies and its representatives against any damage claims in connection with the unauthorized use of RECOM products in such safety-critical applications.