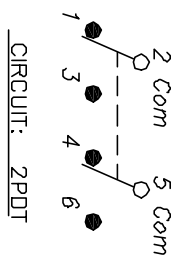


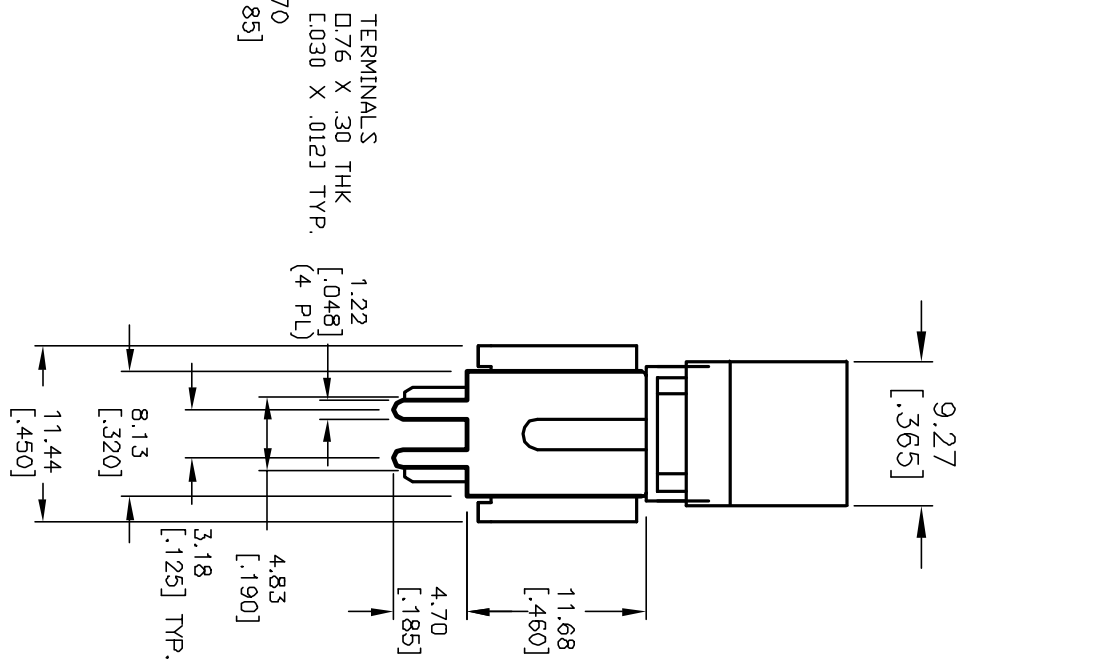
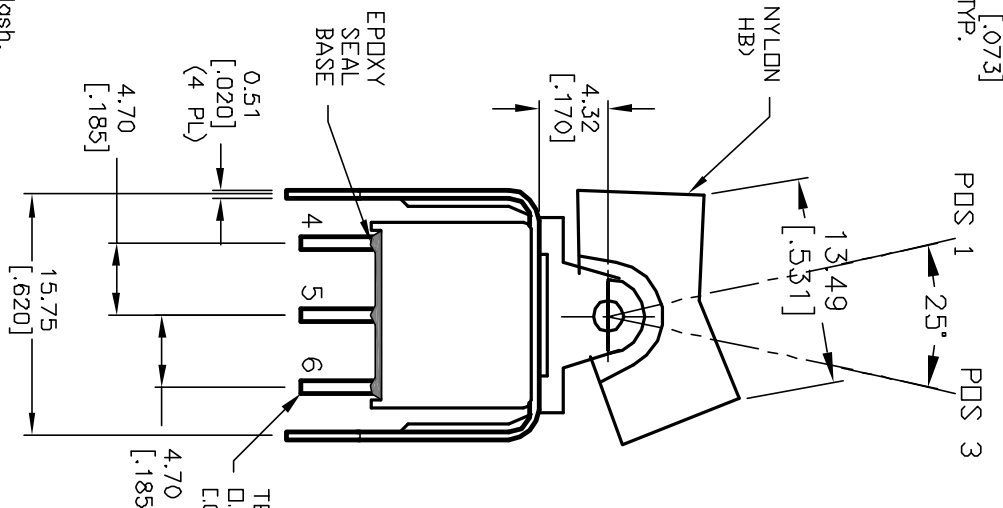
RECOMMENDED P.C.B. LAYOUT



SWITCH FUNCTION		
PDS 1	PDS 2	PDS 3
DN	DFF	DN
2-3,5-6	OPEN	2-1,5-4

NOTES:  
 ( ) =Mentorary

1. ALL DIMENSIONS IN MM [INCH]
2. GENERAL TOLERANCE: X.X=±0.4 X.XX=±0.25
3. TERM. NOS. FOR REF. ONLY
4. RATING: 5A @120VAC OR 28VDC; 2A @250VAC
5. MATERIAL: FIXED TERMINAL & MOVING CONTACT  
 Copper Alloy w/SILVER PLATE over Gold flash.
6. CONTACT RESISTANCE: 10mILLI Ohms max initial @2-4VDC, 100mA for AG & AU
7. ELECTRICAL LIFE: 30,000 make-and-break cycles at full load.
8. INSULATION RESISTANCE: 1,000M ohm min.
9. DIELECTRIC STRENGTH: 1000V RMS @sed level
10. OPERATING TEMP.: -30°C to 85°C



REV.	ECN No.	DESCRIPTION	DATE	CHKD
A	12454	RELEASED FOR PRODUCTION	9/30/02	CJB

TITLE	SCALE	DATE	DR	DWG	REV
3004 WDP-3 J1 V52 Q E	2:1	9/30/02	CJB	T302112	A

**E-SWITCH®**

THE INFORMATION CONTAINED IN THIS DOCUMENT IS PROPRIETARY TO E-SWITCH AND IS NOT TO BE COPIED OR TRANSMITTED