

THIS DRAWING IS UNPUBLISHED. RELEASED FOR PUBLICATION
 © COPYRIGHT BY TYCO ELECTRONICS CORPORATION. ALL RIGHTS RESERVED.

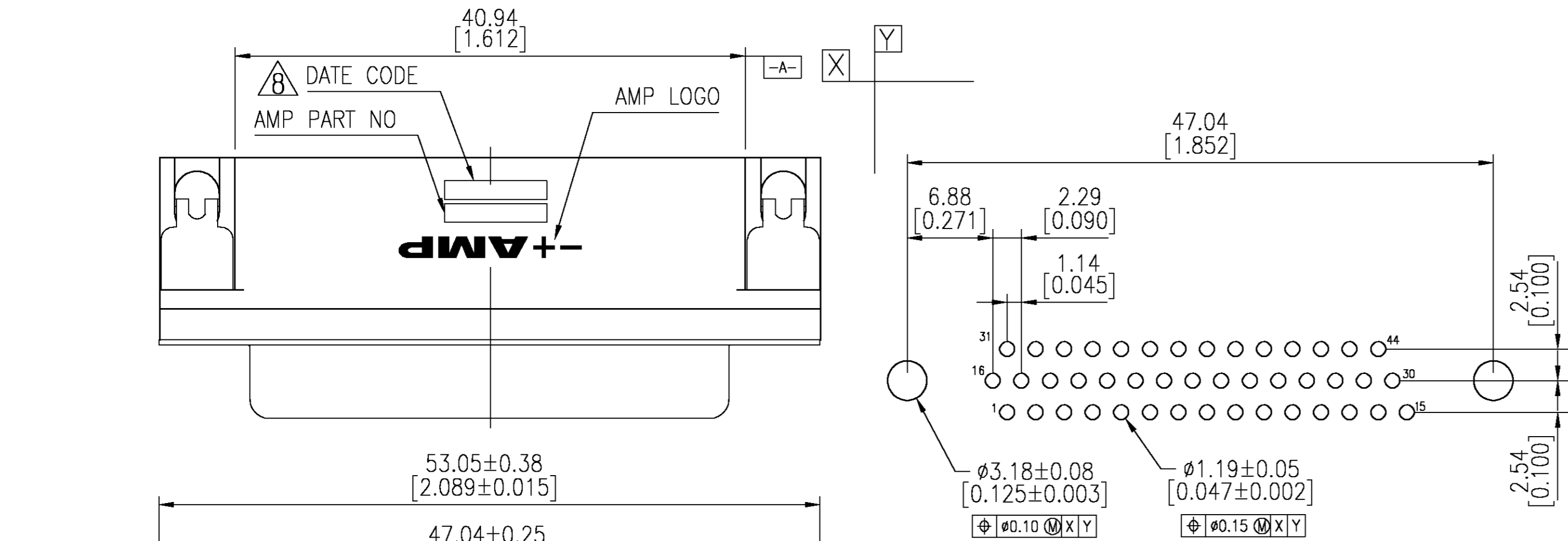
Loc		DIST		REVISIONS			
GP	00	P	LTR	DESCRIPTION	DATE	DWN	APVD
		AG		REVISED PER EC OS13-0277-03	23JUN03	JG	CC

MATERIAL:

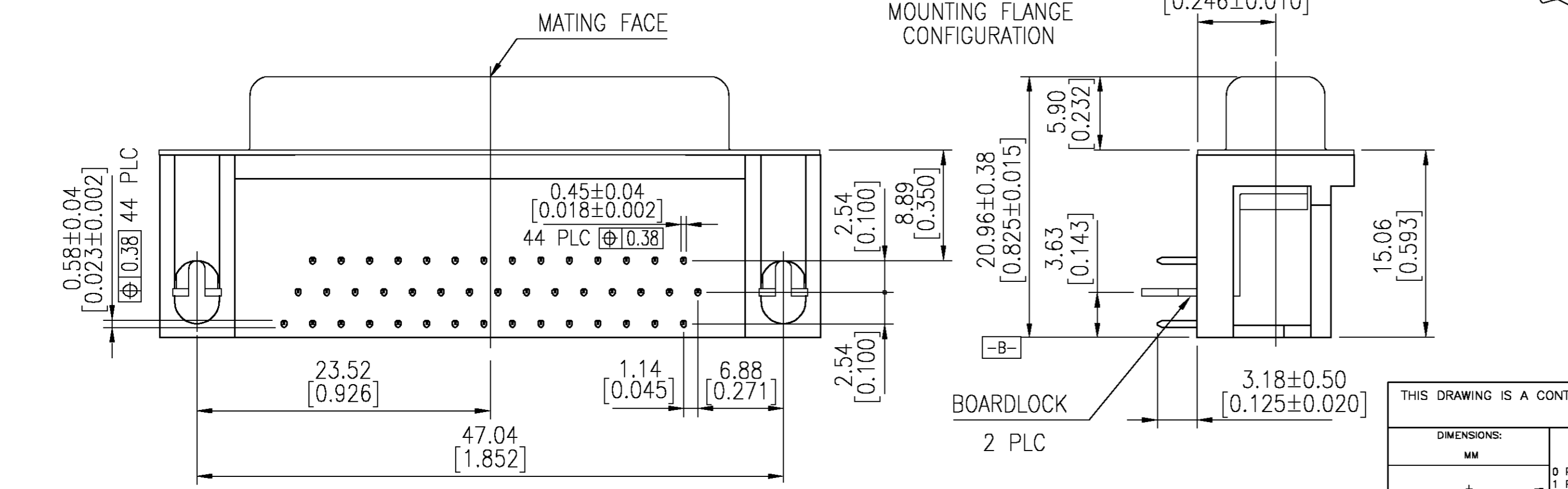
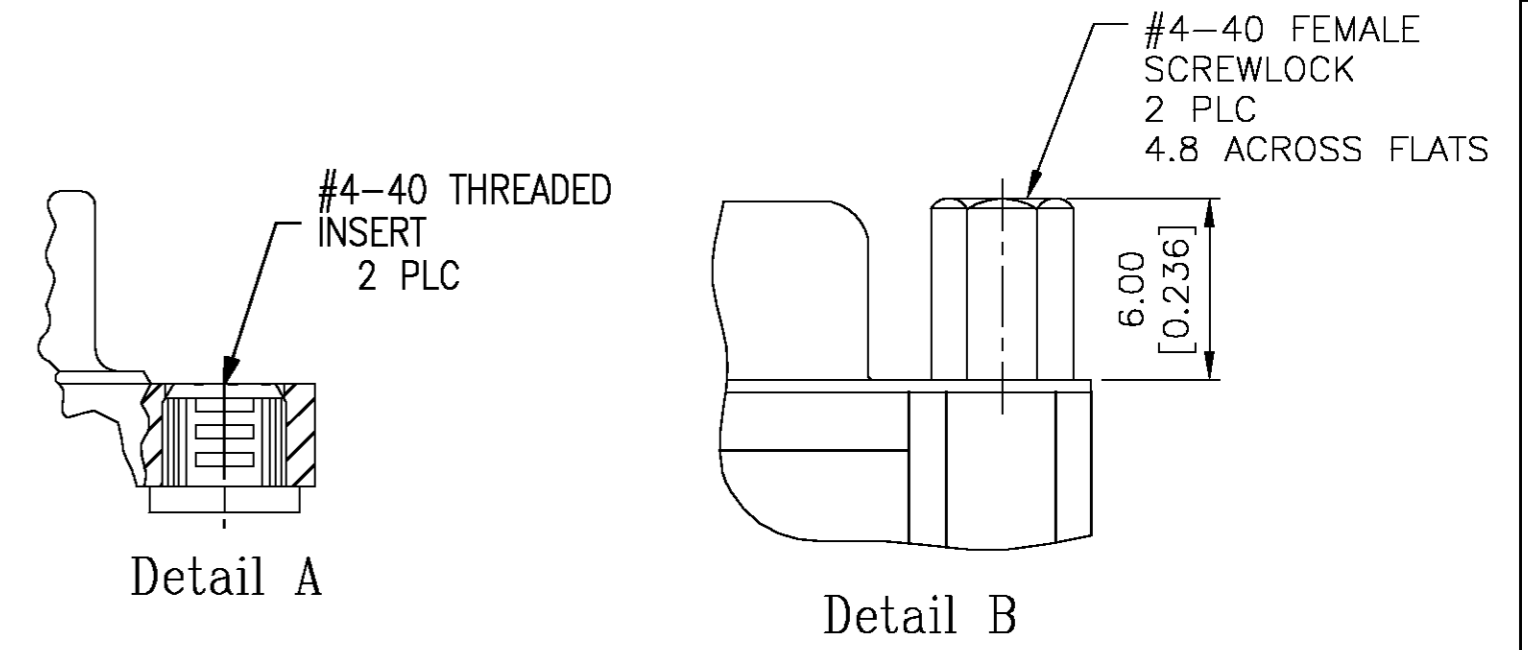
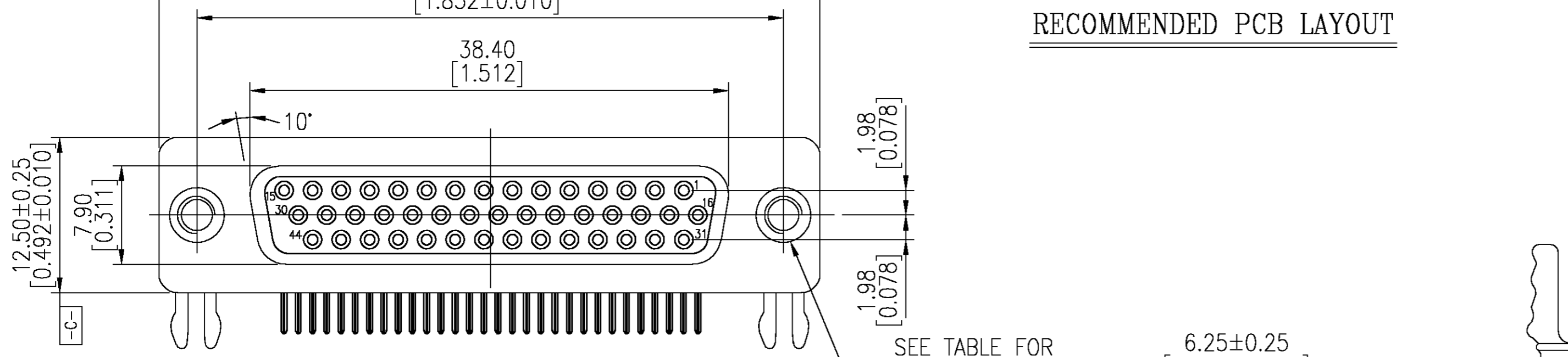
- Housing: PBT , 30 % G.F polyester, Black. (UL 94V-0 Rated)
- Contact: Phos. Bronze.
- Contact Plated: Gold Plated over 50u" Nickel underplated.
- Solder Tail: Sn/Pb Plated 120u" over 50u" Nickel underplated.
- Shell: Steel, Nickel Plated.
- Boardlocks: Brass, Tin or Sn/Pb Plated 100u".
- Screwlocks: Brass, Nickel Plated 30u".

△ Four digit date code in this format.

01
45
 Year Manufacturing Week



RECOMMENDED PCB LAYOUT



Tray	Detail B	15 μ"	2-748482-5
Tray	Detail A	Gold flash	2-748482-4
Tray	Detail A	15 μ"	2-748482-3
Tray	Detail A	30 μ"	748482-5
Packaging	Mounting Flange	Contact Finish	AMP Part NO.

THIS DRAWING IS A CONTROLLED DOCUMENT.		DWN	J. BURWELL	11JUL2002	Tyco Electronics Corporation NAME AMPLIMITE HD-22, 44 POSITION RECEPTACLE, RIGHT ANGLE				
DIMENSIONS: MM		CHK	C. CASH	11JUL2002					
TOLERANCES UNLESS OTHERWISE SPECIFIED:		APVD	C. CASH	11JUL2002					
0 PLC ± - 1 PLC ± 0.30 2 PLC ± 0.20 3 PLC ± 0.10 4 PLC ± - ANGLES ± 2°		PRODUCT SPEC							
MATERIAL	FINISH	APPLICATION SPEC			SIZE	CAGE CODE	DRAWING NO	RESTRICTED TO	
					A2	00779	C=748482		
CUSTOMER DRAWING				SCALE	3:1	SHEET	1 OF 1	REV	AG