

General Description

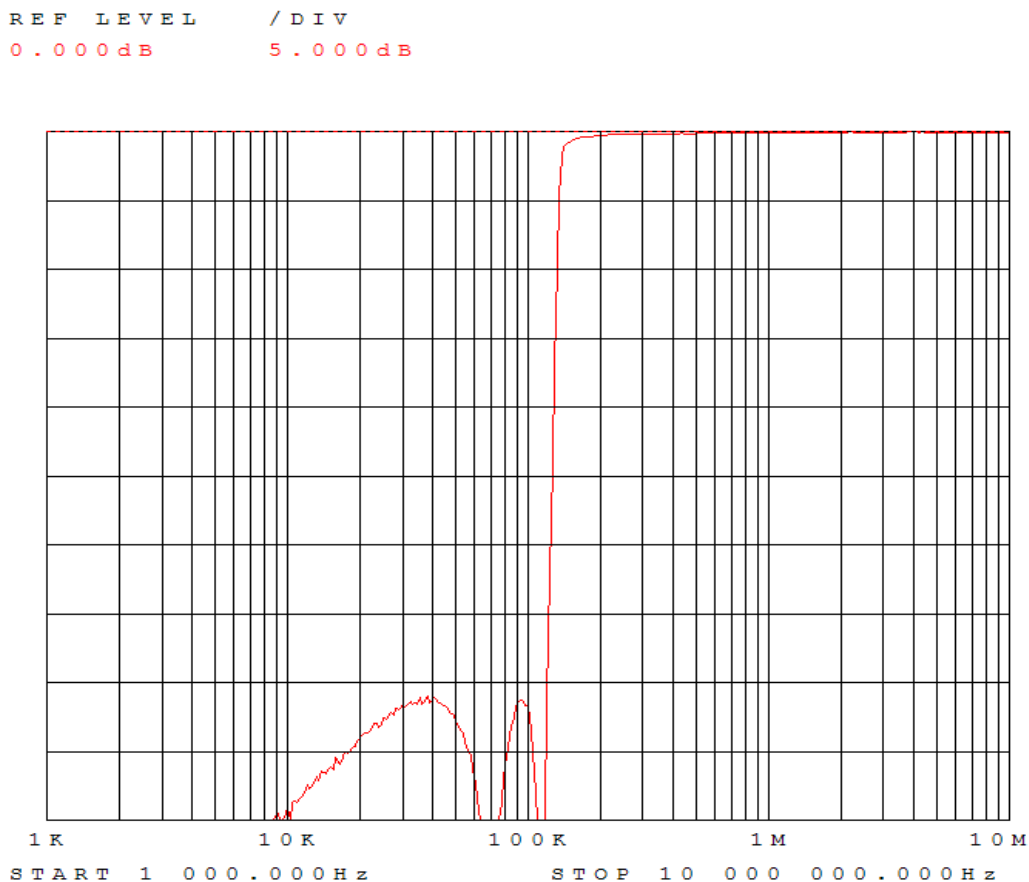
KR Electronics part number 3210-N is a 140 KHz highpass filter. The filter is an elliptic type filter with a sharp transition to the stopband and attains 40 dB rejection by 120 KHz. Other frequencies and package styles are available. Please consult the factory.

Features

- 140 KHz Highpass Filter
- Sharp Elliptic Type Response
- 40 dB min Rejection at 120 KHz
- 50 Ω Source and Load
- N Connectors
- Other Configurations Available

Typical Performance

Overall Response
(5 dB/div)



KR Electronics, Inc.
91 Avenel Street
Avenel, NJ 07001

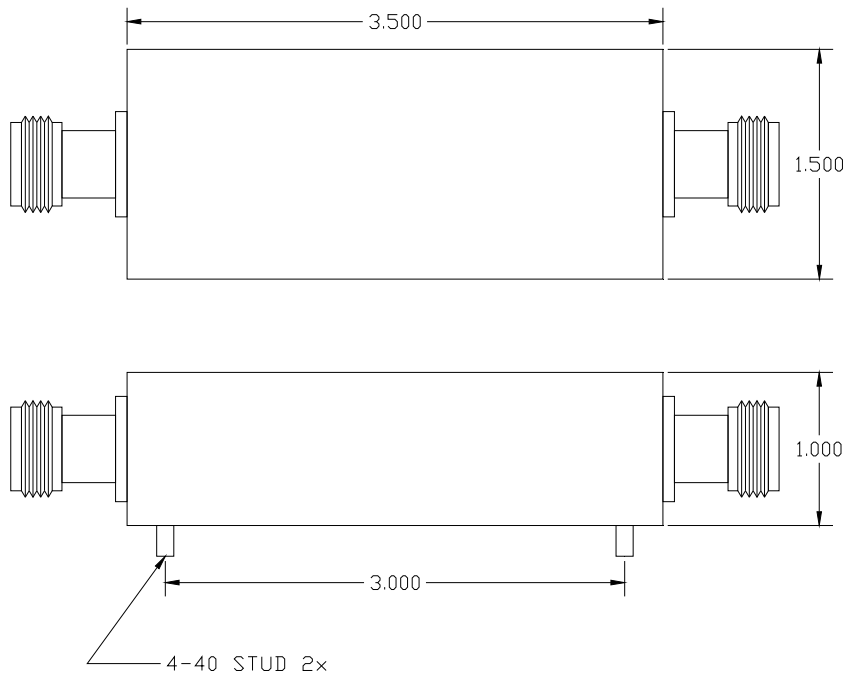
Web www.krfilters.com
Email sales@krfilters.com
Phone (732) 636-1900
Fax (732) 636-1982

KR Electronics 3210-N

Specifications

Parameter	Specification	
Filter type	Highpass	
Start of Passband (2 dB max)	140 KHz	1.4 dB typical
Rejection 0 to 120 KHz	40 dB min	
Source and Load	50 Ω	

Physical Dimensions



Notes:

1. Dimensions in inches
2. Connectors N(F) In/Out
3. Rectangular case

KR Electronics, Inc.
 91 Avenel Street
 Avenel, NJ 07001

Web www.krfilters.com
 Email sales@krfilters.com
 Phone (732) 636-1900
 Fax (732) 636-1982