

Rev	AWO #	Description	Date	Appr
-		RELEASED	12/03/09	

6

5

4

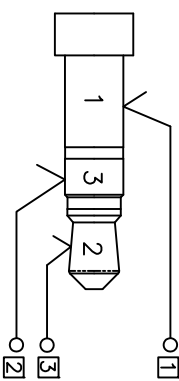
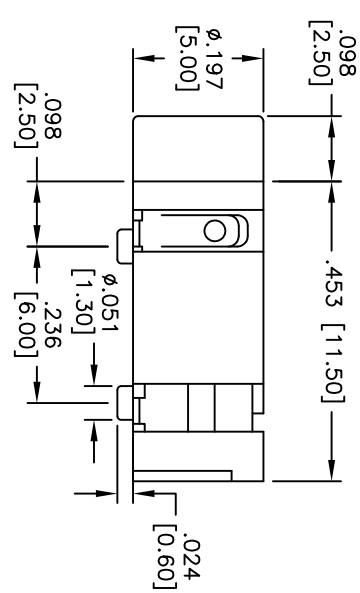
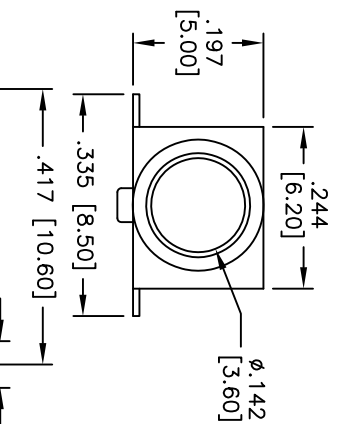
3

2

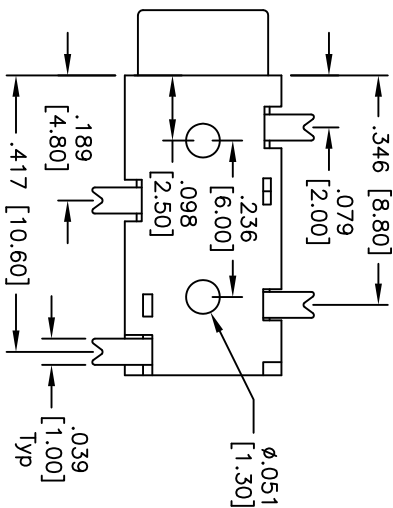
1

APPROVED: _____

DATE: _____ TITLE: _____



PART NO.	ASJ-117-C
SCHMATIC	



RECOMMENDED PCB LAYOUT
(COPPER-SIDED VIEW)

SPECIFICATIONS:

- Material: Insulator: PA9T, rated UL 94V-0
- Insulator color: Black
- Contacts: Copper Alloy
- Plating: Silver over Copper underplate

Electrical:

- Operating voltage: 30 VDC max.
- Current rating: 0.5 Amp max.
- Contact resistance: 30 mohms max. Initial
- Insulation resistance: 100 Mohms min.
- Dielectric withstanding voltage: 500 VAC for 1 minute
- Temperature Rating: Operating temperature: -65°C to +125°C

Environmental:
Lead free, RoHS compliant.
Recommended soldering temp: 260°C for 5 sec.



ADAM TECH

909 Railway Avenue, Union, NJ 07083
Phone: 908-687-5000 Fax: 908-687-5710

3.5 PHONE JACK

UNLESS OTHERWISE SPECIFIED ALL DIMENSIONS ARE IN INCHES [MM]	
TOLERANCES: EXCEPT AS NOTED	
.X	± .10
.XX	± .020
.XXX	± .015
.XXX	± .010
APPROVALS	DATE
DRAWN	DY
CHECKED	
APPROVED	

SIZE	PART NO.	REV.
X	ASJ-117-C	
REF: S0002C	SCALE: NTS	SHEET 1 OF 1

6

5

4

3

2

1