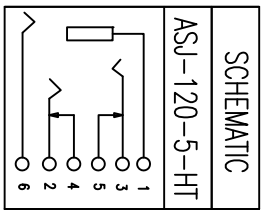
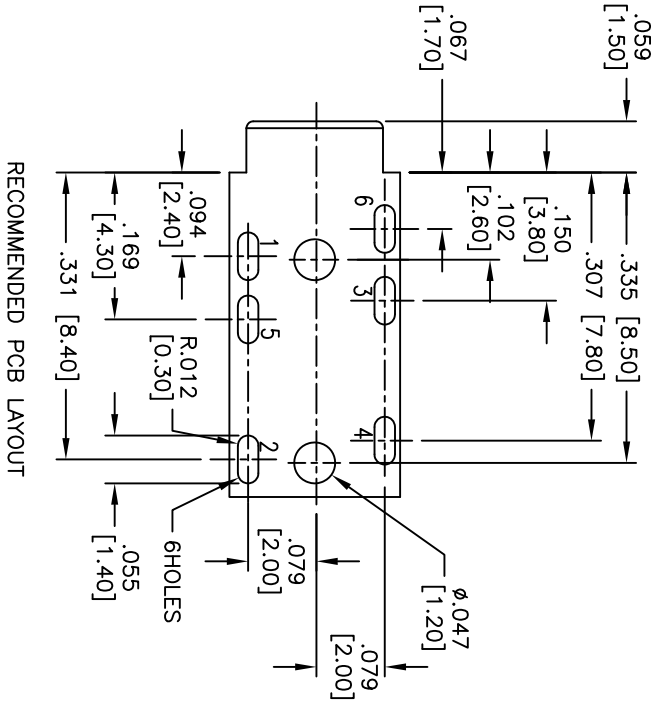
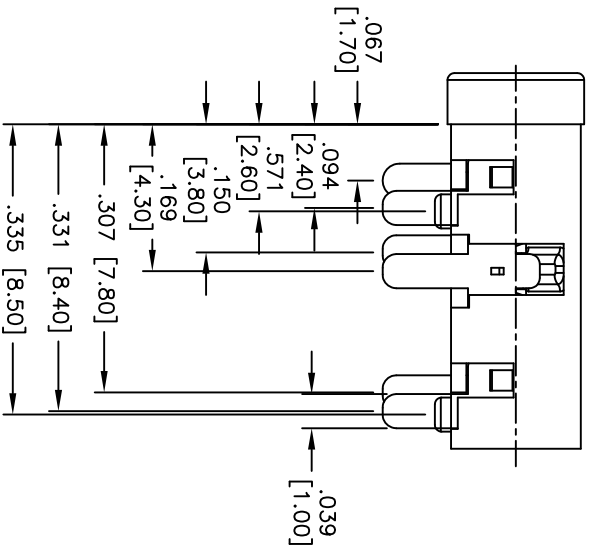
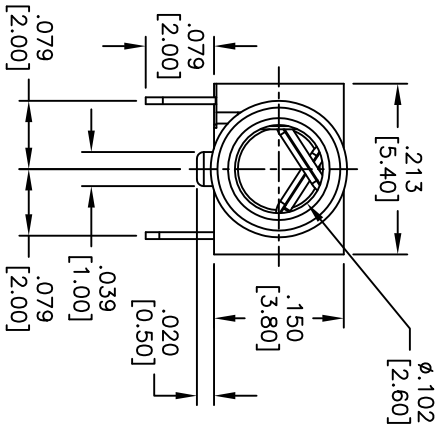
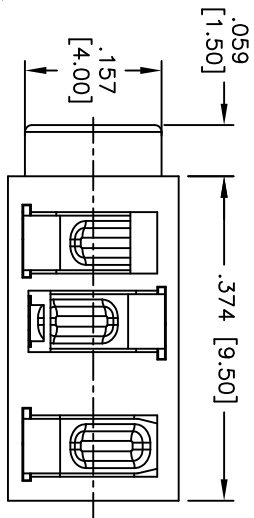


Rev	AWO #	Description	Date	Appr
-		RELEASED	2/08/10	

APPROVED: \_\_\_\_\_  
 DATE: \_\_\_\_\_ TITLE: \_\_\_\_\_



**SPECIFICATIONS:**

Material: Insulator: PA9T, rated UL 94V-0  
 Insulator color: Black  
 Contacts: Copper Alloy  
 Plating: Silver over Copper underplate

Electrical:  
 Operating voltage: 30 VDC max.  
 Current rating: 0.5 Amp max.  
 Contact resistance: 30 mohms max. initial  
 Insulation resistance: 100 Mohms min.  
 Dielectric withstanding voltage: 500 VAC for 1 minute  
 Temperature Rating: Operating temperature: -65°C to +125°C

Environmental:  
 Lead free, RoHS compliant.  
 Recommended soldering temp: 260°C for 5 sec.



**ADAM TECH**  
 909 Rahway Avenue, Union, NJ 07083  
 Phone: 908-687-5000 Fax: 908-687-5710

UNLESS OTHERWISE SPECIFIED ALL DIMENSIONS ARE IN INCHES [MM]	
TOLERANCES: EXCEPT AS NOTED	HOLDS
.X ± .10	ØXX ± .10
.XX ± .020	ØXXX ± .015
.XXX ± .015	ØXXXX ± .010
APPROVALS	DATE
DRAWN	DY
CHECKED	
APPROVED	

TITLE: <b>MINIATURE JACK</b>	
SIZE: X	PART NO.: ASJ-120-5-HT
REF: S00027T	SCALE: NTS
	SHEET 1 OF 1