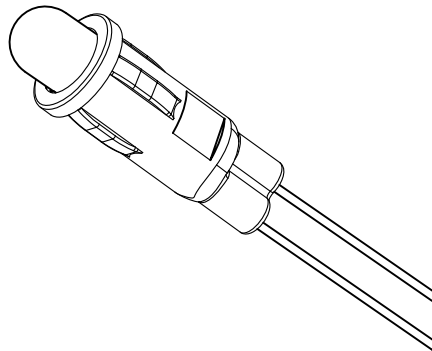
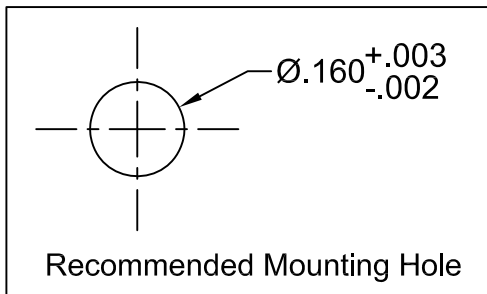
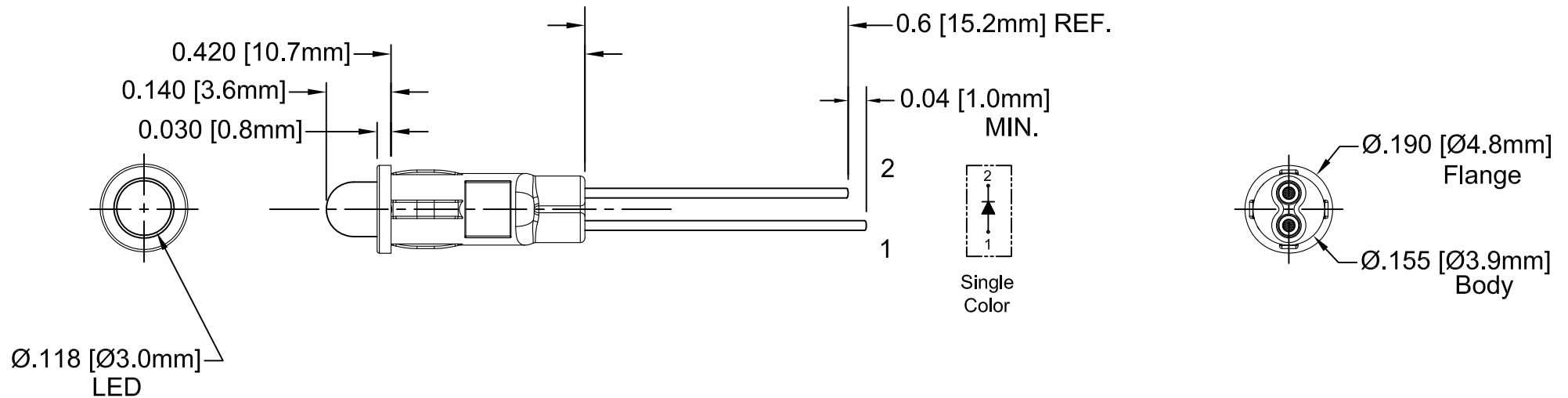


# 354 Series

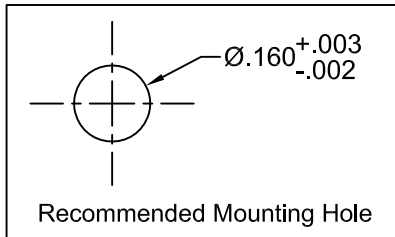
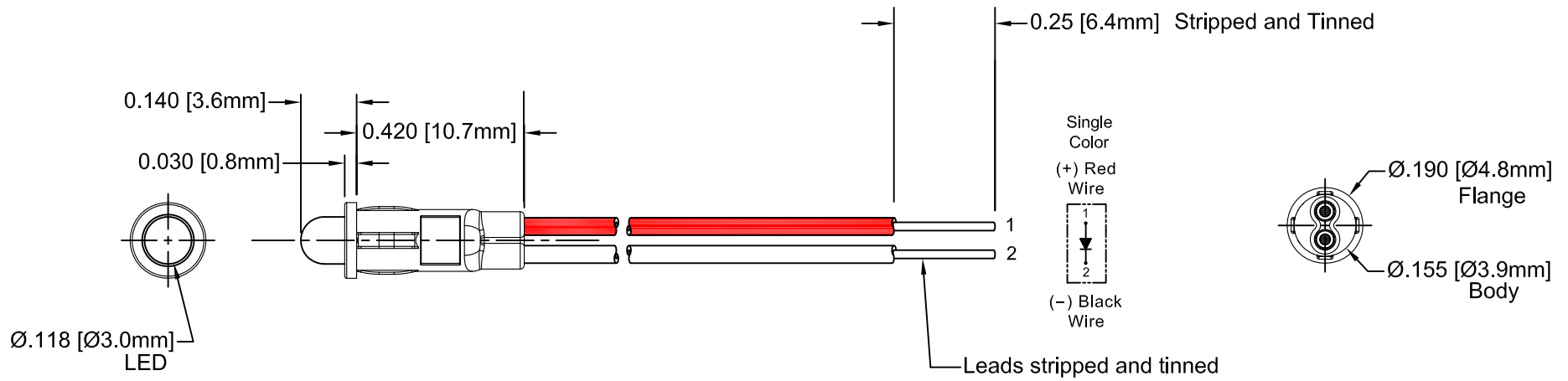


## ABSOLUTE MAXIMUM RATINGS (Ta = 25°C)

REVERSE VOLTAGE	_____	5V
REVERSE CURRENT ( VR=5V)	_____	100µA
OPERATING TEMPERATURE RANGE	_____	-25°C ~ 85°C
STORAGE TEMPERATURE	_____	-30°C ~ 100°C
LEAD SOLDERING TEMPERATURE (1/16" FROM BODY)	_____	260°C for 5 Seconds


STANDARD TOLERANCE ( UNLESS OTHERWISE SPECIFIED )		<b>MARL</b>	MARL BUSINESS PARK, ULVERSTON, UK. LA12 9BN Tel: +44 (0)1229 582 430. Web: www.leds.co.uk
DECIMALS	ANGULAR		
.X ± .1	X° ± 1°		
.XX ± .02		<b>TITLE:</b> STD PANEL MOUNT INDICATORS	
.XXX ± .010		<b>PART NO:</b> 354 Series	
<b>Provisional</b>		<b>SHEET # 1 OF 3</b>	
CAD GENERATED DOCUMENT, DO NOT MEASURE DRAWING.			

# 354 Series (Flying Leads version)



STANDARD TOLERANCE ( UNLESS OTHERWISE SPECIFIED )		<b>MARL</b>	MARL BUSINESS PARK, ULVERSTON, UK. LA12 9BN Tel: +44 (0)1229 582 430. Web: www.leds.co.uk
DECIMALS	ANGULAR		
.X ± .1	X° ± 1°		<b>TITLE:</b> STD PANEL MOUNT INDICATORS
.XX ± .02			<b>PART NO:</b> 354 Series
.XXX ± .010			<b>SHEET # 2 OF 3</b>
<b>Provisional</b>		CAD GENERATED DOCUMENT, DO NOT MEASURE DRAWING.	

Marl Part No.	Chip			Lens Appearance	Electro-Optical Data @20mA				Viewing Angle 2 Ø 1/2 (Deg)	LED P/N	Termination
	Material	Peak Wave Length	Emitted Colour		If (mA)	Vf (V)		Iv (mcd)			
						MAX	TYP				
354-320-04	GaN/SiC	430	BLUE	DIFFUSED	25	4	4.5	10	40	320	PINS
354-320-04-40											12IN FLYING LEADS
354-314-04	GaP/GaP	568	GREEN	DIFFUSED	30	2.1	2.8	25	40	314	PINS
354-314-04-40											12IN FLYING LEADS
354-305-04	GaP/GaP	700	RED	DIFFUSED	20	2.1	2.8	2	40	305	PINS
354-305-04-40											12IN FLYING LEADS
354-311-04	GaAsp/GaP	590	YELLOW	DIFFUSED	30	2	2.8	20	40	311	PINS
354-311-04-40											12IN FLYING LEADS

STANDARD TOLERANCE ( UNLESS OTHERWISE SPECIFIED )		<b>MARL</b>	MARL BUSINESS PARK, ULVERSTON, UK. LA12 9BN Tel: +44 (0)1229 582 430. Web: www.leds.co.uk
DECIMALS	ANGULAR		
.X ± .1	X° ± 1°		<b>TITLE:</b> STD PANEL MOUNT INDICATORS
.XX ± .02			<b>PART NO:</b> 354 Series
.XXX ± .010			<b>SHEET # 3 OF 3</b>
<b>Provisional</b>		CAD GENERATED DOCUMENT, DO NOT MEASURE DRAWING.	