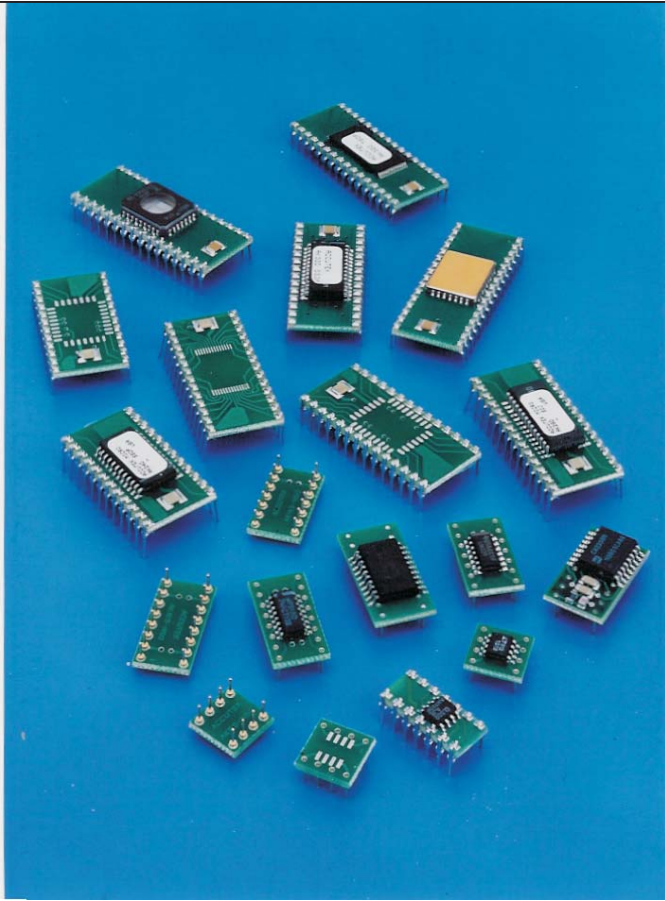


10 Pin to 14 Pin DIP Adapters

DIP ADAPTER MODULES ELIMINATE THE NEED TO REDESIGN MOTHERBOARDS OR MAY BE USED FOR BREADBOARD PROTOTYPING



This new family of Accutek DIP Adapter Modules converts surface mount IC's to pin compatible DIP packages for creating drop-in replacements for end-of-life DIP IC's. Package types supported are: SOJ, PLCC, SOIC, SOP, TSOP, QSOP, HSOP, MSOP, LLP (Leadless Leadframe Package), CSP (Chip Scale Package) and CLCC.

These DIP Adapters were developed for users with motherboard designs that require DIP's, now obsolete by manufacturers. These adapter modules save costly motherboard redesigns.

Available with machined or flat contact pins. Accutek DIP Adapter Modules feature 4 to 84 pins, are fully assembled and tested and may include a decoupling capacitor. These DIP Adapters can be manufactured turnkey or from customer supplied surface mount chips. Modules range in length from 0.200" to 4.200" depending on number of pins and incorporate 0.300", 0.400", 0.600", 0.900", 1.200" and 1.400" row-to-row spacing with 0.100" lead spacing.

Custom configurations up to 200 pins, multi-chip and double sided modules are also available for special functions. A variety of pin lengths with varying diameters as well as custom sizes and spacing can be specified with different materials and finishes. All modules are designed in-house using PCB CAD workstations. Automated assembly and 100% testing are also performed in-house.

FEATURES

- Saves costly redesign of current motherboards
- Fully tested with lifetime limited warranty
- May include an on board decoupling capacitor
- IC assembly and testing available
- EPROM and Flash programming available
- Custom lead lengths available
- Custom multi-chip and double-sided modules available

ORDERING OPTIONS

- Adapter only
- Customer supplies chips - Accutek assembles on Accutek adapters, tests and delivers finished product in antistatic tubes.
- Complete turnkey - Accutek purchases IC's and passives. Then assembles, tests and delivers finished product in antistatic tubes.

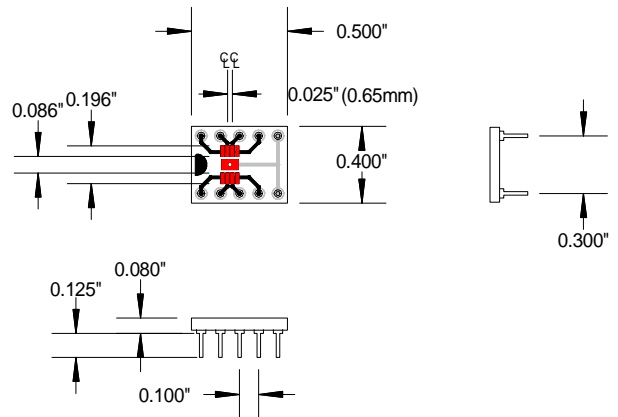
We can assemble your chips on to our adapter boards. Fully automated assembly and test at our Newburyport, Massachusetts facility.



No job is too large or too small.

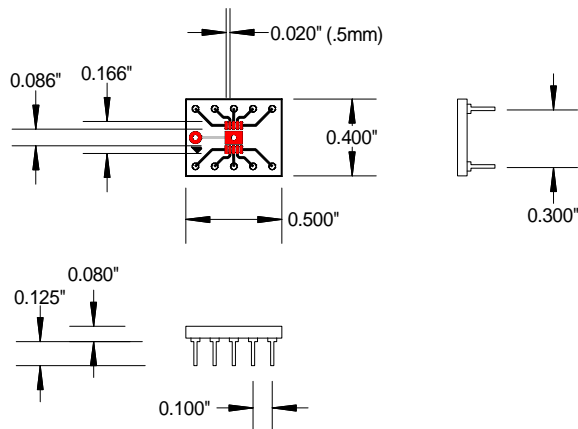
AK10D300-8SON .65mm

8 PIN .65mm XSON TO 10 PIN DIP



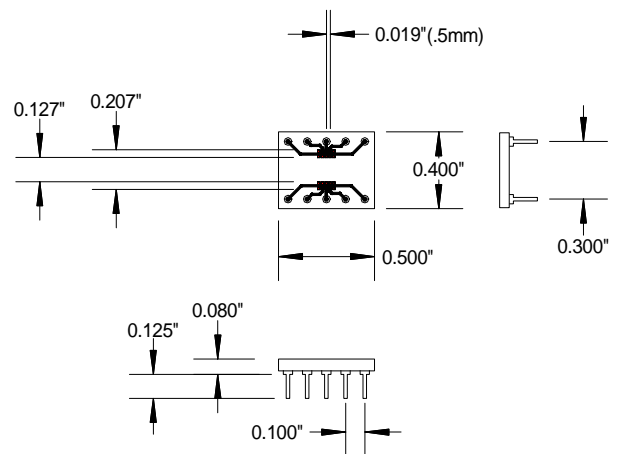
AK10D300-LLP3X3

LEADLESS LEADFRAME PACKAGE(3X3)
TO 10 PIN DIP



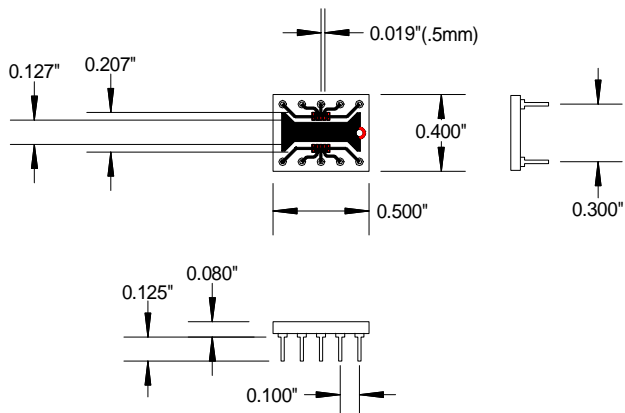
AK10D300-MSOP

10 PIN MSOP(micro-soic) TO DIP



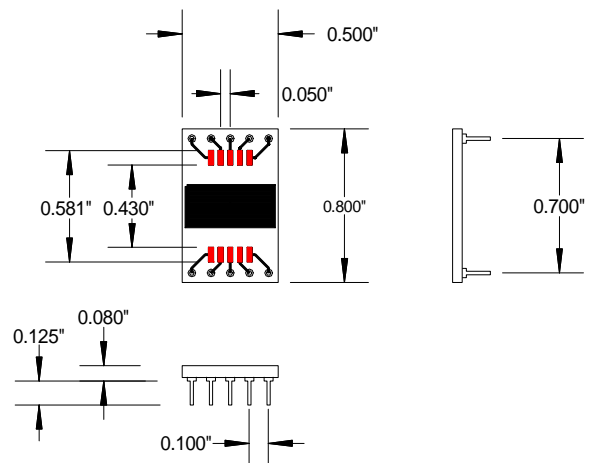
AK10D300-MSOP.5mmHS

10 PIN 0.5mm PITCH MSOP(micro-soic) WITH HEATSINK
TO DIP



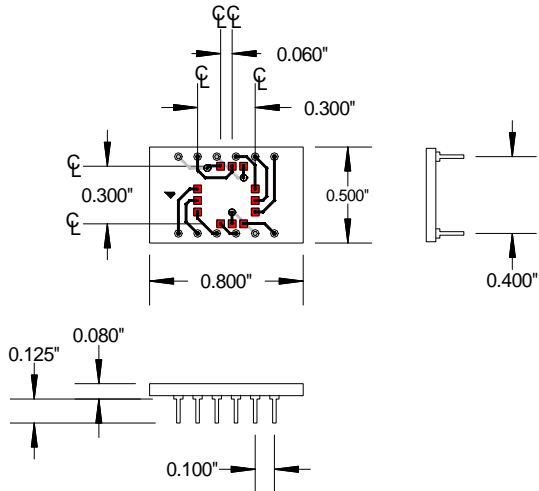
AK10D700-XF 1.27 SOP

10 PIN 1.27mm PITCH TRANSFORMER TO 0.700" DIP



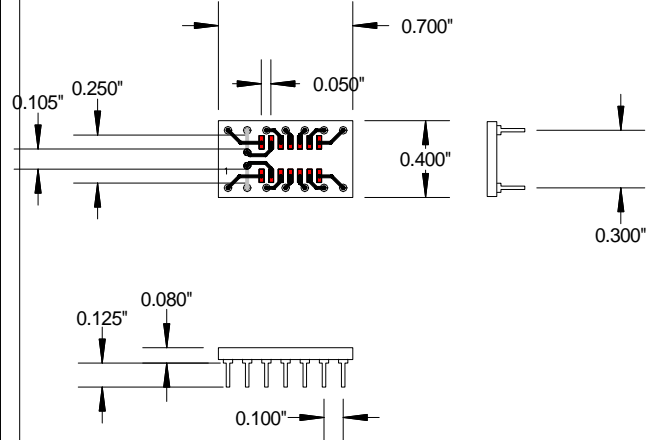
AK12D400-VCO

12 PIN VCO (voltage controlled oscillator) TO DIP



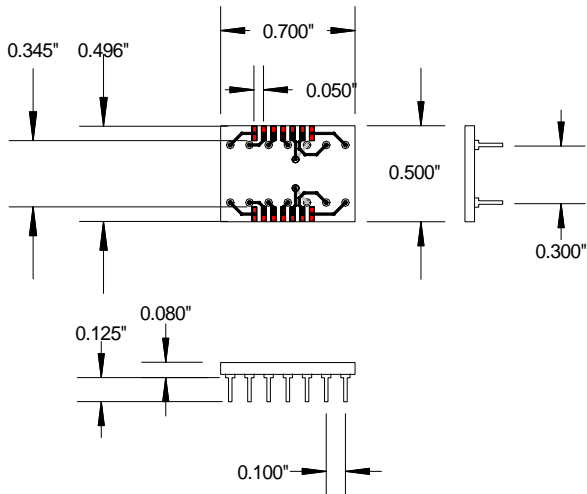
AK14D300-NSO

14 PIN SOIC TO DIP



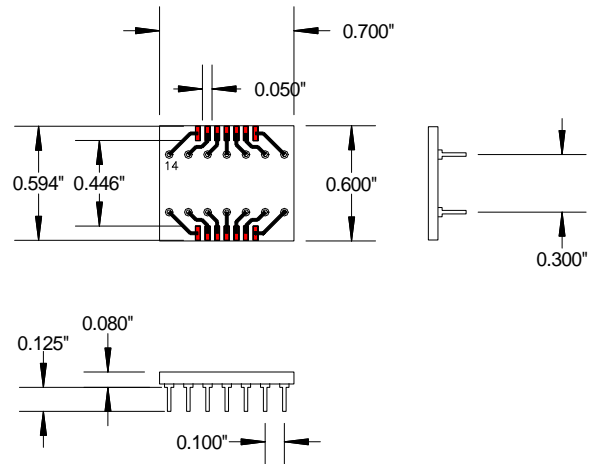
AK14D300-WSO

14 PIN WIDE SOIC TO DIP



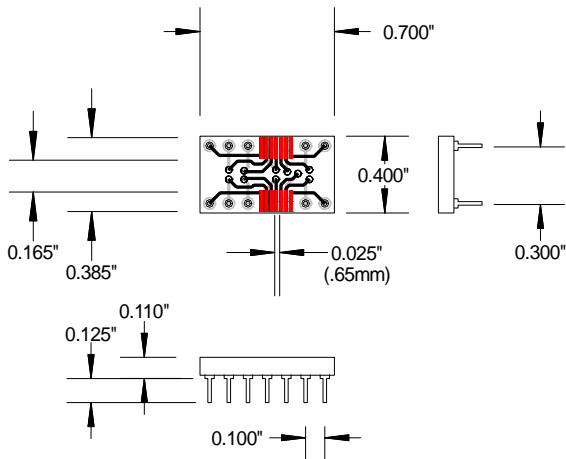
AK14D300-HSOP

14 PIN HSOP TO DIP



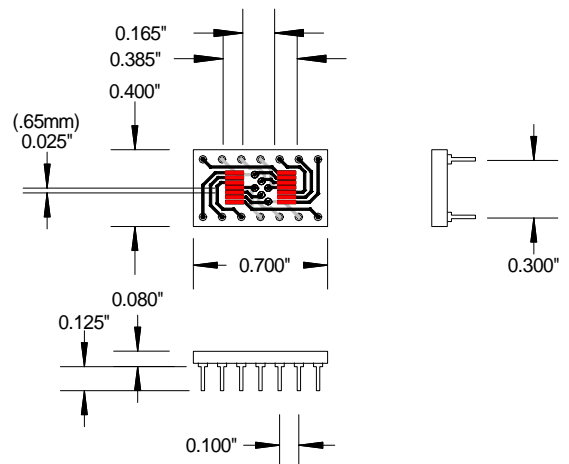
AK14D300-QSOP

14 PIN QSOP & SSOP TO DIP



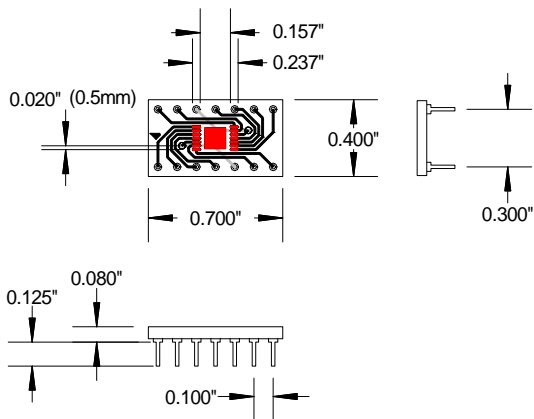
AK14D300-TSOP

14 PIN TSOP & SSOP TO DIP



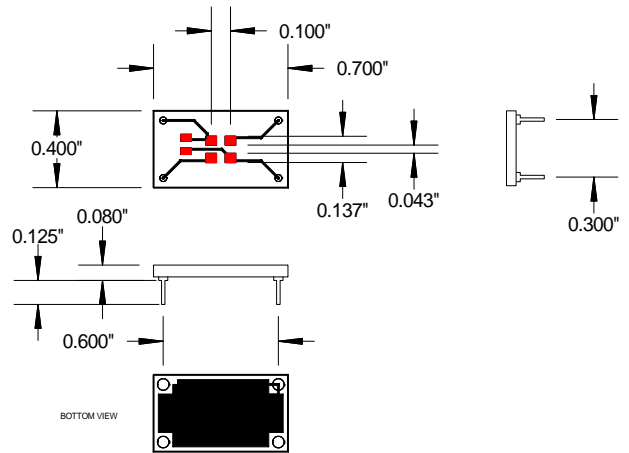
AK14D300-DFN5X5

LLP-DFN PACKAGE(5X5)
TO 14 PIN DIP



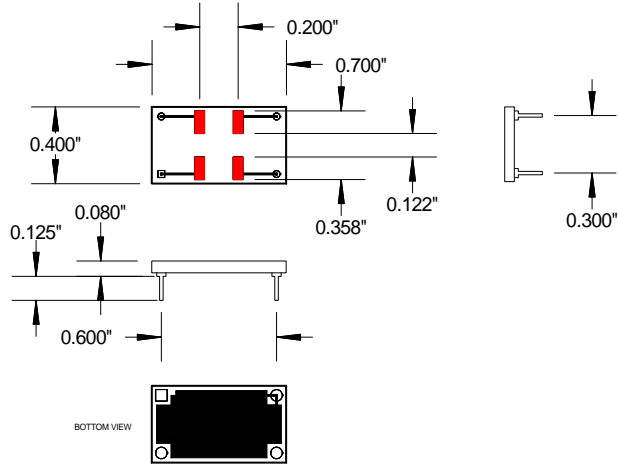
AK14D300-XTAL-04CLCC-BY

4 PIN CLCC CRYSTAL TO 4 PIN (14 PIN FULL SIZE) DIP
WITH SITE FOR BYPASS CAPACITOR



AK14D300-XTAL-04SOJ

4 PIN SOJ CRYSTAL TO 4 PIN (14 PIN FULL SIZE) DIP



AK14D300-XTAL-04SOJ-BY

4 PIN SOJ CRYSTAL TO 4 PIN (14 PIN FULL SIZE) DIP
WITH SITE FOR BYPASS CAPACITOR

