

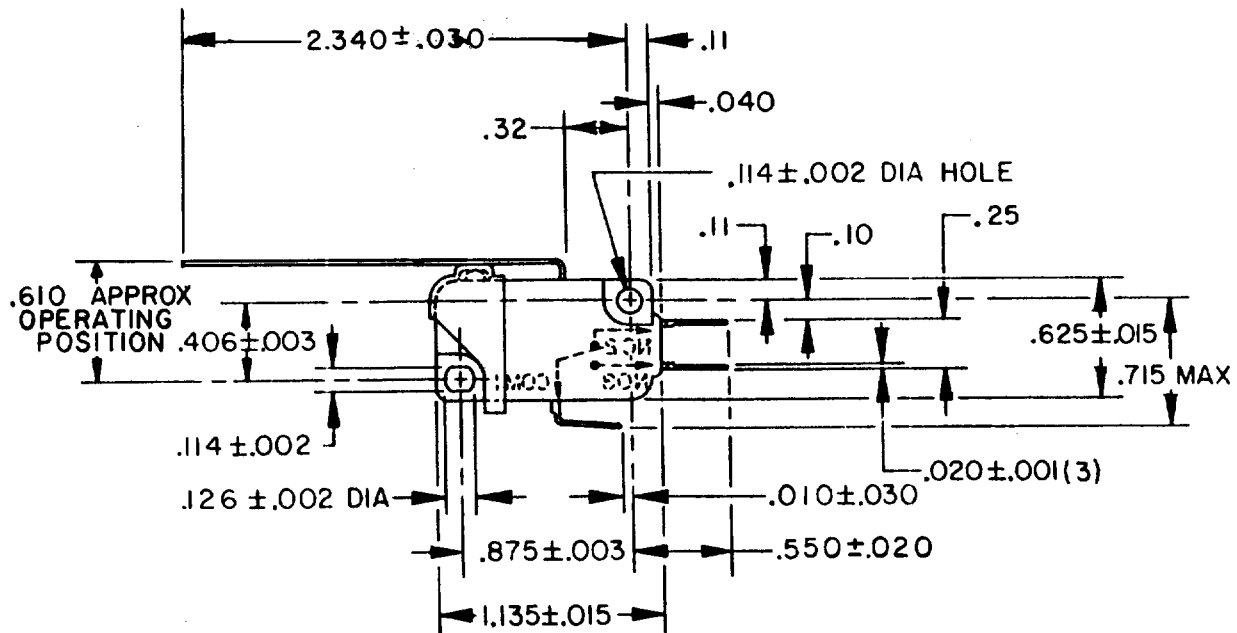
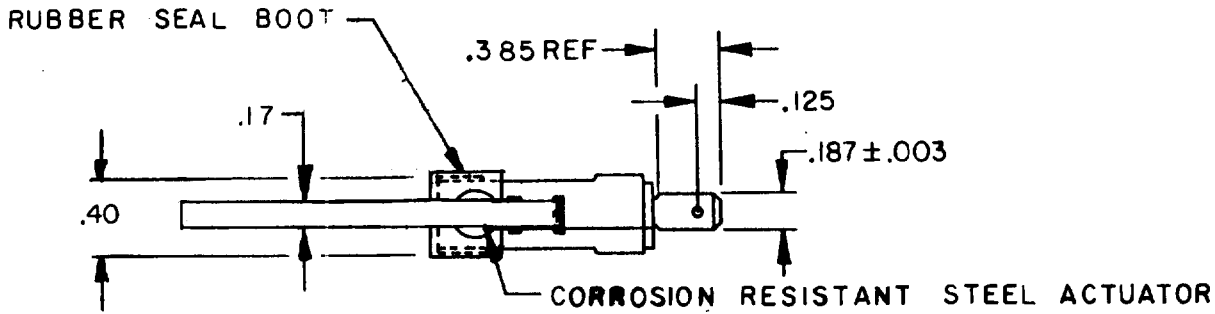
MICRO SWITCH

FREEPORT ILLINOIS, U.S.A
A DIVISION OF HONEYWELL INC.
FED. MFG. CODE 91929

SWITCH - BASIC

CATALOG LISTING
V7-IB17D8-048-S

CW-84719

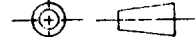


NOTES

- 1 - CAUTION: OVERTRAVEL FORCE ON LEVER MUST NOT RESULT IN AN OVERTRAVEL FORCE ON PLUNGER EXCEEDING 5 POUNDS
- 2 CHARACTERISTICS ARE APPROXIMATE WITHOUT RUBBER SEAL BOOT

THIS DRAWING COVERS A PROPRIETARY ITEM AND IS THE PROPERTY OF MICRO SWITCH, A DIVISION OF HONEYWELL. THIS DRAWING IS NOT TO BE COPIED OR USED WITHOUT THE APPROVAL OF MICRO SWITCH.

THIRD ANGLE PROJECTION



CHARACTERISTICS	ELECTRICAL DATA	SCALE FULL	DO NOT SCALE PRINT
OPERATING FORCE ----- 50 GRAM (APPROX)	CONTACT ARRANGEMENT S P D T		UNLESS OTHERWISE SPECIFIED TOLERANCES ARE
	L 156		ONE PLACE (.0) ± .030
	11A 1/3 HP 125, 250, 277 VAC		TWO PLACE (.00) ± .015
	1/2A 125 VDC, 1/4A 250 VDC		THREE PLACE (.000) ± .005
	4A 125 VAC "L"		ANGLES ±
	RUC		
		WEIGHT	

M V7-IB17D8-048-S
 DRAWING NUMBER
 ISSUE 5
 CHECK
 REVISIONS
 A 17032
 S D 10 JAN 89
 B CO 65617-A
 DCS 11 MAY 89
 C CO 76109
 JWB
 8 NOV 93
 D CO 77796
 DCS 23 MAR 94
 CHECK
 S D F10 JAN 89
 DRAWN
 FO-52848-B