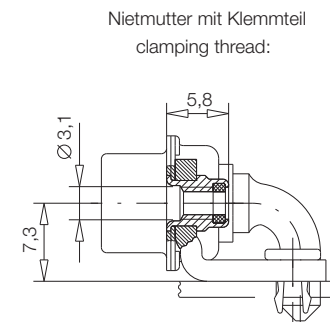
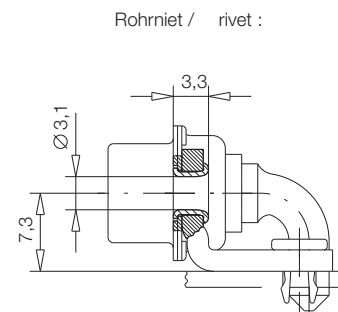
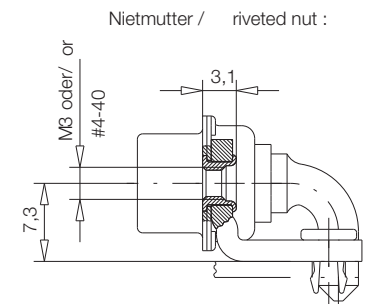
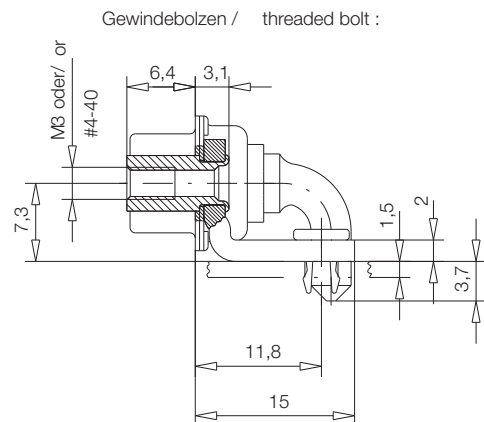


Schnitt A-A / cross section A-A



Ident-Nr. / Part No. : Refer to table on page 2

Polzahl / No. of contacts : Refer to table on page 2

Anschlußart / Terminal Type : Angled solder

Anschlußlänge / Terminal Length : -

Bauart / Type : 3W3

Anforderungsstufe / Class : 207=0.8µm (30 µin) Au CONTACT, TIN/LEAD TERMINAL

Aufdruck / Logo : ERNI

Zubehör / Accessory : Refer to table on page 2

Sonderausführung / Special : Refer to table on page 2

Leiterplattenlochbild 134100 / Board hole pattern 134100

Information:		Tolerances		Scale	2:1
All rights reserved. Only for information. To insure that this is the latest version of this drawing, please contact one of the ERNI companies before using.		Subject to modification without prior notice. Drawing will not be updated.		Designation	
ERNI		www.ERNI.com		TMC-P 3W3-LP07-3	
Index		Date		054981	
M:00022942.SZN		TMCP		I	

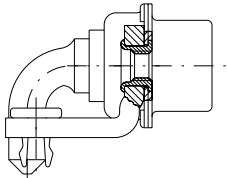
Consider protection memo from DIN 54

## Ordering Information

### D-Sub Connector High Power Solder Right Angle Male

Number of Pins

3W3



Accessory Termination Side: Rivet nut M3

134464

Accessory Termination Side: Rivet nut #4-40

134465