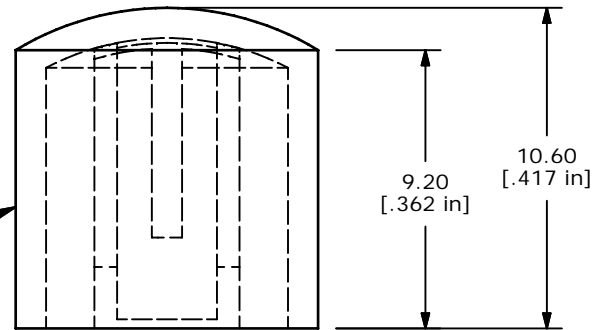


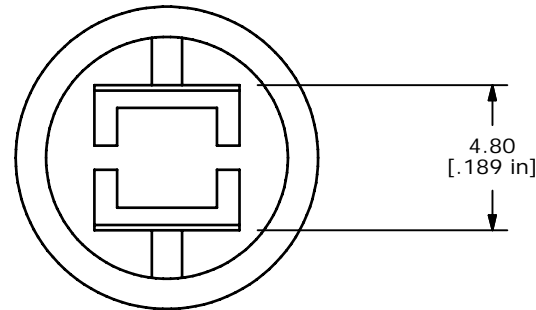
Ø10.00
[.394 in]

▲
EXTERNAL SURFACES
ARE TO BE FREE OF
BLEMISHES AND
VISUAL DEFECTS



9.20
[.362 in]

10.60
[.417 in]



4.80
[.189 in]

NOTES:

1. ALL DIMENSIONS IN MM [INCH]
2. GENERAL TOLERANCE: X.XX=±0.15
3. MATERIAL: POLYCARBONATE
4. COLOR: TRANSPARENT
5. ▲DENOTES CRITICAL PARAMETER.



| | | | | |
|--------------|-----------|----|---------|-----|
| TITLE R05CLR | | | | |
| SCALE | DATE | DR | DWG | REV |
| 4=1 | 1/19/2010 | rc | B410000 | A |

| | | | | |
|-----|--------|-------------|---------|----|
| A | 18805 | New-Release | 1/20/10 | rc |
| REV | PCR NO | DESCRIPTION | DATE | BY |

THE INFORMATION CONTAINED IN THIS DOCUMENT IS PROPRIETARY TO E-SWITCH AND IS NOT TO BE COPIED OR TRANSFERRED