

**Fast Time Response (Especially Narrow T.T.S.)
13 mm (1/2 Inch) Diameter, 10-stage, Bialkali Photocathode, Head-on Type**

GENERAL

Parameter		Description / Value	Unit
Spectral Response		300 to 650	nm
Wavelength of Maximum Response		420	nm
Photocathode	Material	Bialkali	—
	Minimum Effective Area	φ10	mm
Window Material		Borosilicate glass	—
Dynode	Structure	Linear focused	—
	Number of Stages	10	—
Base		13-pin glass base	—
Operating Ambient Temperature		-30 to +50	°C
Storage Temperature		-80 to +50	°C
Weight		Approx. 7	g
Suitable Socket		E678-13F (supplied)	—

MAXIMUM RATINGS (Absolute Maximum Values)

Parameter		Value	Unit
Supply Voltage	Between Anode and Cathode	1250	V
	Between Anode and Last Dynode	250	V
Average Anode Current		0.03	mA

CHARACTERISTICS (at 25 °C)

Parameter		Min.	Typ.	Max.	Unit
Cathode Sensitivity	Luminous (2856 K)	40	100	—	μA/lm
	Radiant at 420 nm	—	80	—	mA/W
	Blue Sensitivity Index (CS 5-58)	—	10	—	—
Anode Sensitivity	Luminous (2856 K)	30	100	—	A/lm
Gain		—	1.0 × 10 ⁶	—	—
Anode Dark Current (After 30 minute storage in darkness)		—	1	15	nA
Time Response	Anode Pulse Rise Time	—	1.1	—	ns
	Electron Transit Time	—	12	—	ns
	Transit Time Spread (FWHM)	—	0.5	—	ns

VOLTAGE DISTRIBUTION RATIO AND SUPPLY VOLTAGE

Electrodes	K	Dy1	Dy2	Dy3	Dy4	Dy5	Dy6	Dy7	Dy8	Dy9	Dy10	P
Ratio	3	1	1.5	1	1	1	1	1	1	1	1	1

Supply Voltage: 1000 Vdc, K: Cathode, Dy: Dynode, P: Anode

PHOTOMULTIPLIER TUBE R4124

Figure 1: Typical Spectral Response

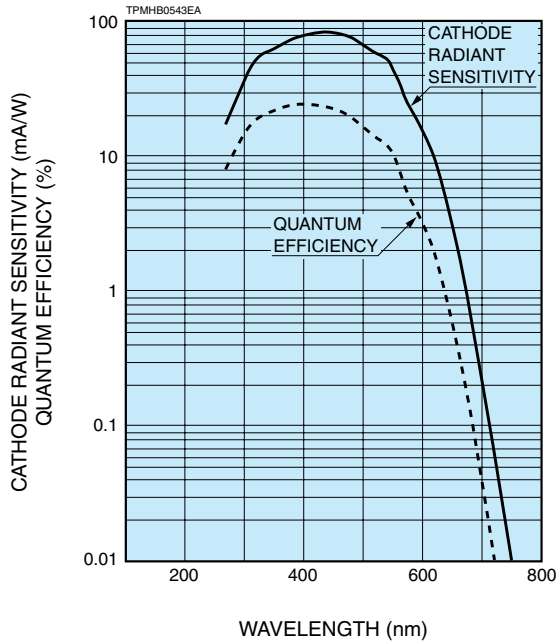


Figure 2: Typical Gain

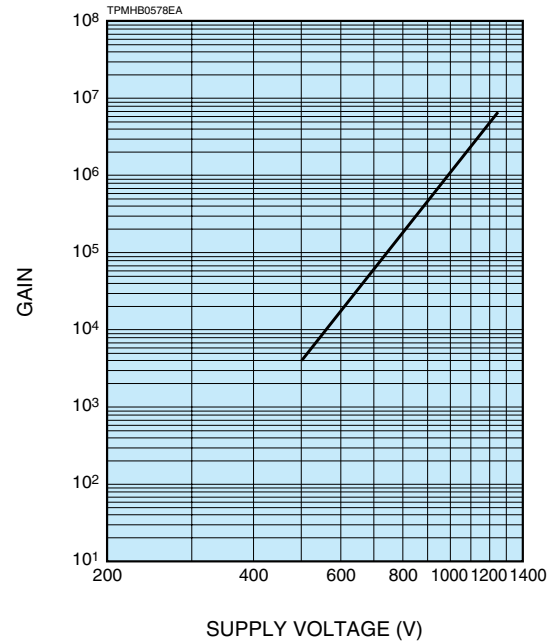
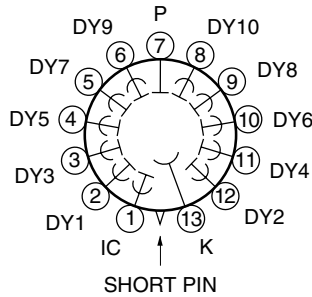
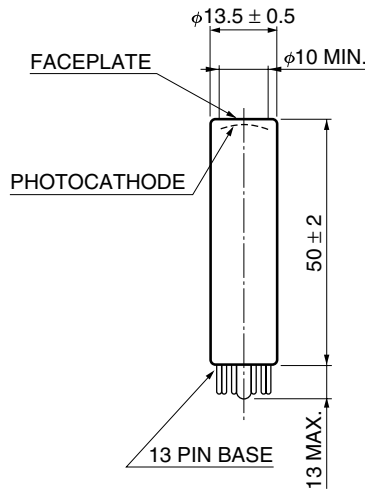
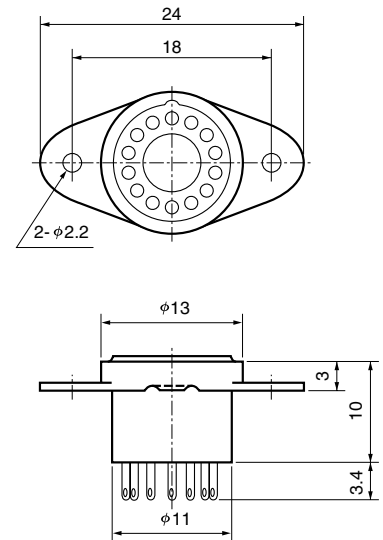


Figure 3: Dimensional Outline and Basing Diagram (Unit: mm)



TPMHA0102EA

Socket E678-13F (Supplied)



TACCA0005EA

HAMAMATSU PHOTONICS K.K. www.hamamatsu.com

HAMAMATSU PHOTONICS K.K., Electron Tube Division

314-5, Shimokanzo, Iwata City, Shizuoka Pref., 438-0193, Japan, Telephone: (81)539/62-5248, Fax: (81)539/62-2205

U.S.A.: Hamamatsu Corporation, 360 Foothill Road, P. O. Box 6910, Bridgewater, N.J. 08807-0910, U.S.A., Telephone: (1)908-231-0960, Fax: (1)908-231-1218 E-mail: usa@hamamatsu.com

Germany: Hamamatsu Photonics Deutschland GmbH, Arzbergerstr. 10, D-82211 Herrsching am Ammersee, Germany, Telephone: (49)8152-375-0, Fax: (49)8152-2658 E-mail: info@hamamatsu.de

France: Hamamatsu Photonics France S.A.R.L., 19, Rue du Saule Trapu, Parc du Moulin de Massy, 91882 Massy Cedex, France, Telephone: (33)1 69 53 71 00, Fax: (33)1 69 53 71 10 E-mail: infos@hamamatsu.fr

United Kingdom: Hamamatsu Photonics UK Limited, 2 Howard Court, 10 Tewin Road Welwyn Garden City Hertfordshire AL7 1BW, United Kingdom, Telephone: 44-(0)1707-294888, Fax: 44(0)1707-325777 E-mail: info@hamamatsu.co.uk

North Europe: Hamamatsu Photonics Norden AB, Smidesvägen 12, SE-171-41 SOLNA, Sweden, Telephone: (46)8-509-031-00, Fax: (46)8-509-031-01 E-mail: info@hamamatsu.se

Italy: Hamamatsu Photonics Italia: S.R.L., Strada della Moia, 1/E, 20020 Arese, (Milano), Italy, Telephone: (39)02-935 81 733, Fax: (39)02-935 81 741 E-mail: info@hamamatsu.it

TPMH1233E02
DEC. 2010 IP