



## RLTMRL-660 1-2W



## Red Diode Pumped Solid State Laser

All solid state 660 nm red laser featuring of compact size, long lifetime, and low cost, which is widely used in measurement, spectrum analysis, laser lightning show, etc.



Specifications	
Wavelength	660 ±2 nm
Output Power	1 - 2 W
Transverse Mode	Near TEM <sub>00</sub>
Operating Mode	CW
Power Stability (rms, over 4 hours)	< 3%, < 5%, < 10%
Warm-up time	< 10 min
M <sup>2</sup> factor	< 2.5
Beam Divergence (full angle)	3.0 - 6.0 mrad
Beam Diameter (at the aperture)	~ 4.0 mm
Beam Height (from base plate)	93.5 mm
Polarization ratio	> 100:1
Operating Temperature	10 - 35 °C
Power Supply (90-260VAC)	PSU-W-FDA (included)
Expected Lifetime	10000 hours
<b>Warranty period</b>	<b>1 year</b>

Options	
PSU-LED	Adjustable output power supply with current display
TTL/Analog modulation	Up to 10 KHz
Fiber coupling	Multi mode/single mode fiber, SMA-905/FC connector



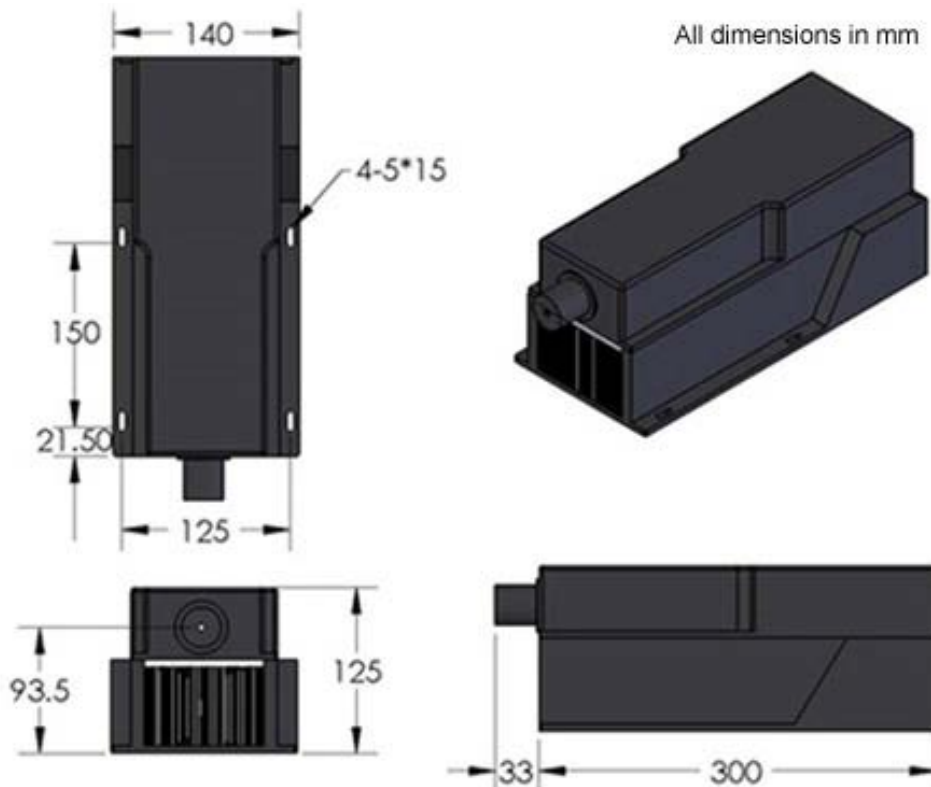
**LASER RADIATION**  
AVOID DIRECT EXPOSURE TO BEAM  
DO NOT STARE INTO BEAM  
NEVER VIEW THROUGH OPTICAL INSTRUMENTS



## RLTMRL laser head



333 x 140 x 125 mm<sup>3</sup>, 6.1 kg

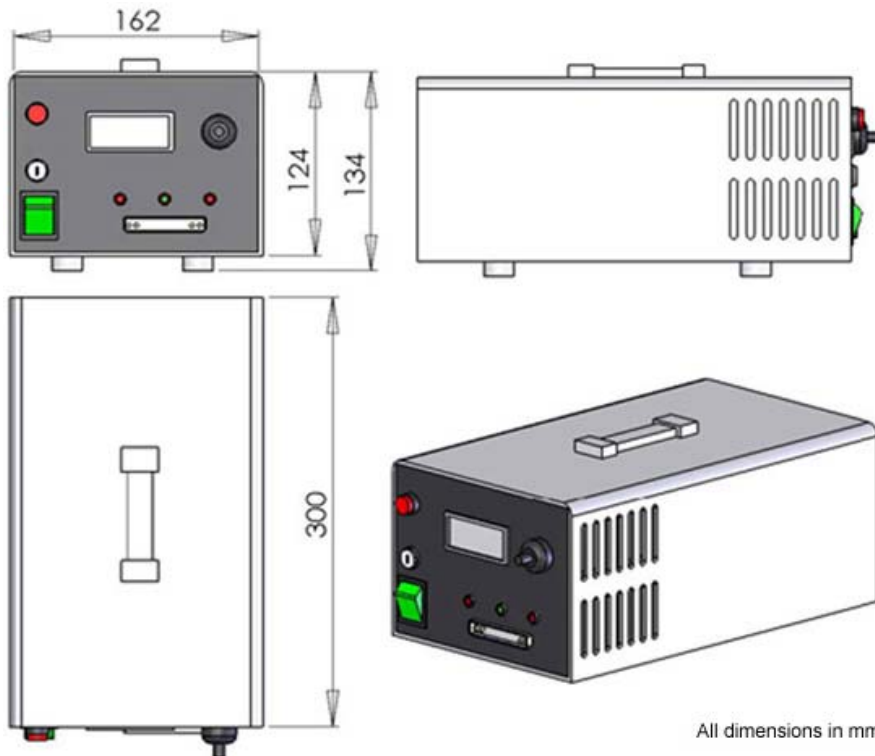




## PSU-W-LED power supply



300 x 162 x 134 mm<sup>3</sup>, 5.2 kg





## PSU-W-FDA power supply



307 x 168 x 123 mm<sup>3</sup>, 5.1 kg

