

DATA SHEET

SC28L202

Dual universal asynchronous
receiver/transmitter (DUART)

Product data sheet
Supersedes data of 2004 Apr 16

2005 Nov 01

Dual universal asynchronous receiver/transmitter (DUART)

SC28L202

DESCRIPTION	1
FEATURES	1
ORDERING INFORMATION	2
PIN CONFIGURATIONS	2
PIN CONFIGURATION FOR 80XXX BUS INTERFACE (INTEL)	3
CONFIGURATION FOR 68XXX BUS INTERFACE (MOTOROLA)	4
OVERALL DESCRIPTION	5
BRIEF DESCRIPTION OF FUNCTIONAL BLOCKS	5
Bus Interface	5
Timing Circuits	5
I/O ports	5
UARTs	5
Transmitters and Receivers	5
Character and Address Recognition	6
Flow Control	6
Test Modes and Software	6
DETAILED DESCRIPTIONS	6
Bus Interface	6
Timing Circuit	7
I/O Ports	8
UART Operation	8
Receiver Operation	9
Arbitrating Interrupt Structure	12
PROGRAMMING THE HOST INTERFACE	17
REGISTER DESCRIPTION AND PROGRAMMING NOTE	18
Registers that control Global Properties of the 28L202	18
GCCR – Global Configuration Control Register	18
GCCR(7:6) DACKN Assertion	18
GCCR(5:3): Reserved	18
GCCR(2:1): Interrupt vector configuration	18
GCCR(0): Interrupt Status Masking	18
SFSR A and B Special Feature & Status Register	19
SFSR(7:4) Reserved	19
SFSR(3) Status of loop back error check.	19
SFSR(0) Reserved	19
TRR Test and Revision Register.	19
TRR[7] Test 2 Enable	19
TRR[6:0] – Chip Revision Code	19
STCR – Scan Test Control Register.	19
SES – System Enable Status Register, A and B	19
EOS – Enhanced Operation Status Register	19
UART Registers	20
These registers are generally concerned with formatting, transmitting and receiving data.	20
MR0 – Mode Register 0, A and B	20
MR0[7] Fixed length Watchdog Timer	20
MR0[5:4] – Tx interrupt fill level.	20
MR0[3] – FIFO Size	20
MR0[2:0] – Legacy Baud Rate Group Selection	20
MR1 – Mode Register 1, A and B	21
MR1[7] – Receiver Request to Send (hardware flow control)	21
MR1[6] – Receiver interrupt control bit 1.	21
MR1 [5] – Error Mode Select and sub modes	21
MR1[4:3] – Parity Mode Select	21
MR1[2] – Parity Type Select	21
MR1[1:0] – Bits per Character Select	21
MR2 – Mode Register 2, A and B	22
MR2[7:6] – Mode Select	22
MR2[7:6] = b'00 Normal Mode	22
MR2[7:6] = b'01 Automatic Echo	22
MR2[7:6] = b'10 selects local loop back diagnostic mode. In this mode:	22
MR2 [7:6] = b'11 Selects the Remote Loop back diagnostic mode. In this mode:	22
MR2[5] Transmitter Request to Send Control	22
MR2[4] – Clear to Send Control	22
MR2[3:0] – Stop Bit Length Select	22

Dual universal asynchronous receiver/transmitter (DUART)

SC28L202

MR3 – Mode Register 3, A and B	23
MR3[7 & 6] Xon/Xoff Character Stripping	23
MR3[5:4] Reserved	23
MR3[3:2] Xon/Xoff Processing	23
MR3[1:0] Address Recognition	23
RxCSSR – Receiver Clock Select Register A and B	24
TxCSSR Transmitter Clock Select Register A and B	24
Rx and Tx Clock Select Table	24
CRx – Command Register Extension, A and B	25
CR[7] – Lock Tx and Rx enables.	25
CR[6] – Enable Transmitter	25
CR[5] – Enable Receiver	25
CR[4:0] – Miscellaneous Commands (See Table below)	25
COMMAND REGISTER EXTENSION TABLE A and B	26
SR – Channel Status Register A and B	27
SR[7] – Received Break	27
SR[6] – Framing Error (FE)	27
SR[5] – Parity Error (PE)	27
SR[4] – Overrun Error (OE)	27
SR [3] – Transmitter Idle (Tx Idle)	27
SR[2] – Transmitter Ready (TxRDY)	27
SR[1] – Rx FIFO Full (RxFULL)	27
SR[0] – Receiver Ready (RxRDY)	27
ISR – Interrupt Status Register A and B	28
ISR[7] – Input Change of State.	28
ISR[6] Fixed Watchdog Time-out.	28
ISR[5] – Address Recognition Status Change.	28
ISR[4] – Xon/Xoff Status Change.	28
ISR[3] – Counter Timer Status	28
ISR[2] – Change in Channel Break Status.	28
ISR[1] – RxINT. (Also Rx DMA hand shake at I/O pins)	28
ISR[0] – TxINT. (Also Tx DMA hand shake at I/O pins)	28
IMR – Interrupt Mask Register A and B	29
IMR[7] COS enable	29
IMR[6] Fixed Watchdog Enable	29
IMR[5] Address recognition enable	29
IMR[4] Xon/Xoff Enable	29
IMR[3] Counter/Timer Enable	29
IMR[1] Receiver (Rx) Enable	29
IMR[0] Transmitter (Tx) Enable	29
RxFIFO – Receiver FIFO, A and B	29
TxFIFO – Transmitter FIFO, A and B	29
RxFIL – Receiver FIFO Interrupt Level, A and B	29
RxFL – Receiver FIFO Fill Level Register	29
TxFIL – Transmitter FIFO Interrupt Level A and B	30
TxEL – Transmitter FIFO Empty Level Register	30
Registers for Character Recognition	30
XonCR – Xon/Xoff Character Register A and B	30
XoffCR – Xoff Character Register A and B	30
ARCR – Address Recognition Character Register A and B	30
XISR – Xon–Xoff Interrupt Status Register A and B (Reading this register clears XISR(7:4))	31
XISR[7:6] Received X Character Status.	31
XISR[5:4] Automatic transmission Status.	31
XISR[3:2] TxD Condition of the automatic flow control status.	31
XISR[1:0] TxD X character Status.	31
WCXER Watch Dog, Character, Address and X Enable Register – A and B	31
Programmable Counters, Timers and Baud Rate generators	32
PBRGPU – Programmable BRG Timer Reload Registers, Upper 0 and 1	32
PBRGPL – Programmable BRG Timer Reload Registers, Lower 0 and 1	32
CTCS 0 and 1 – Counter Timer clock source	32
CTVU – Counter Timer Value Registers, Upper 0 and 1	32
CTVL – Counter timer Value Registers, Lower 0 and 1	32
PBRGCS – Programmable BRG Clock Source	32
CTPU Counter Timer Preset Upper 0 and 1	33
CTPL Counter –Timer Preset Low 0 and 1	33

Dual universal asynchronous receiver/transmitter (DUART)

SC28L202

Registers of the Arbitrating Interrupt System and Bidding control	34
ICR – Interrupt Control Register	34
UCIR – Update CIR	34
CIR – Current Interrupt Register	34
IVR – Interrupt Vector Register	35
Modification of the IVR	35
GICR – Global Interrupting Channel Register	35
GIBCR – Global Interrupting Byte Count Register	35
GITR – Global Interrupting Type Register	35
GRxFIFO – Global Rx FIFO Register	35
GTxFIFO – Global Tx FIFO Register	35
BCRBRK – Bidding Control Register – Break Change, A and B	36
BCRCOS – Bidding Control Register – Change of State, A and B	36
BCRx – Bidding Control Register – Xon/Xoff, A and B	36
BCRA – Bidding Control Register – Address, A and B	36
BCR C/T – Bidding Control Register – C/T, 0 and 1	36
BCRLBE – Bidding Control Register – Received Loop Back Error	36
Registers of the I/O ports	36
IPCRL – Input Port Change Register Lower Nibble, A and B (n = A for A, n = B for B)	36
IPCRU – Input Port Change Register Upper Nibble, A and B (n = A for A, n = B for B)	36
IPR – Input Port Register, A and B (n = A for A, n = B for B)	36
IPCE – Input Change Detect Enable, A and B (n = A for A, n = B for B)	37
I/OPCR 0 – I/O Port Configuration Register	37
I/OPCR 1 – I/O Port Configuration Register	37
I/OPCR 2 – I/O Port Configuration Register	37
I/OPCR 3 – I/O Port Configuration Register	37
SOPR A and SOPR B – Set the Output Port Bits (OPR A and OPR B)	38
ROPR A and ROPR B – Reset ROPR Output Port Bits (OPR A and OPR B)	38
OPR – Output Port Register, A and B (n = A for A, n = B for B)	38
THE REGISTERS FOR COMPATIBILITY WITH PREVIOUS DUARTS	39
REGISTER DESCRIPTIONS Mode Registers	41
MR1 Mode Register 1	42
MR1 A[7] – Channel A Receiver Request-to-Send Control (Flow Control)	42
MR1[6] – Receiver interrupt control bit 1. See description under MR0[6].	42
MR1 A[5] – Channel A Error Mode Select	42
MR1 A[4:3] – Channel A Parity Mode Select	42
MR1 A[2] – Channel A Parity Type Select	42
MR1 A[1:0] – Channel A Bits Per Character Select	42
MR2 Mode Register 2	42
SR Status Register	43
SR A[7] – Received Break	43
SR A[6] – Channel A Framing Error	43
SR A[5] – Channel A Parity Error	43
SR A[4] – Channel A Overrun Error	43
SR A[3] – Channel A Transmitter Empty (TxEMT A)	43
SR A[2] – Channel A Transmitter Ready (TxRDY A)	43
SR A[1] – Channel A FIFO Full (FFULL A)	43
SR A[0] – Channel A Receiver Ready (RxRDY A)	43
SR B – Channel B Status Register	43
CSR A – Channel A Clock Select Register CSR A [7:4] – Channel A Receiver Clock Select	44
CSR Clock Select Register	44
CSR A [3:0] – Channel A EXTERNAL Transmitter Clock Select	44
CSR B [7:4] – Channel B Receiver Clock Select	44
CSR B [3:0] – Channel B Transmitter Clock Select	44
Rx FIFO Register. For characters shorter than 8 bits the unused bits are set to zero	44
Tx FIFO register. For characters shorter than 8 bits the unused bits are set to zero	44
CR A and B Command Register	45
CR Command Register	45
COMMAND REGISTER TABLE A and B	45
IPCR Input Port Configuration Register	46
IPCR [7:4] I/O3A, I/O2 A, I/O1 A, I/O0 A Change-of-State	46
IPCR [3:0] I/O3 A, I/O2 A, I/O1 A, I/O0 A logical level of I/O pin.	46
ACR Auxiliary Control Register	46
ACR[7] – Baud Rate Generator Set Select	46
ACR[6:4] – Counter/Timer Mode And Clock Source Select	46
ACR[3:0] – I/O3 A, I/O2 A, I/O1 A, I/O0 A Change-of-State Interrupt Enable	46

Dual universal asynchronous receiver/transmitter (DUART)

SC28L202

ISR – Interrupt Status Register	47
ISR[7] – Input Port Change Status	47
ISR[6] – Channel B Change In Break	47
ISR[5] – Rx B Interrupt	47
ISR[4] – Tx B Interrupt	47
ISR[3] – Counter Ready	47
ISR[2] – Channel A Change in Break	47
ISR[1] – Rx A Interrupt	47
ISR[0] – Tx A Interrupt	47
IMR – Interrupt Mask Register	48
CTPU Counter Timer Preset Upper (Counter/Timer 0)	48
CTPL Counter –Timer Preset Lower (Counter/Timer 0)	48
CTVU Counter Timer Value Upper (Counter/Timer 0)	48
CTVL Counter –Timer Value Lower (Counter/Timer 0)	48
IVR Interrupt Vector register in 68K mode and General purpose read write register in the x86 mode	48
IPR Input Port Register I/O(6:0) A	48
OPCR Output Port Configuration Register. Controls [7:2] B	49
SOPR – Set Bits in the OPR	50
ROPR – Reset Bits in the OPR	50
OPR Output Port Register	50
REGISTER MAPS	51
REGISTER MAP DETAIL (based on 28L92)	51
REGISTER MAP	52
REGISTER MAP	53
REGISTER MAP	54
GENERAL TIMING CONSIDERATIONS FOR THE SC28L202	55
ABSOLUTE MAXIMUM RATINGS	55
DC ELECTRICAL CHARACTERISTICS (NOMINAL 5 VOLTS)	55
AC CHARACTERISTICS (NOMINAL 5 VOLTS)	56
DC ELECTRICAL CHARACTERISTICS (NOMINAL 3.3 VOLTS)	58
AC CHARACTERISTICS (NOMINAL 3.3 VOLTS)	59
TIMING DIAGRAMS	60

Dual universal asynchronous receiver/transmitter (DUART)

SC28L202

LIST OF FIGURES

Figure 1.	80xxx TSSOP56	2
Figure 2.	68xxx TSSOP56	2
Figure 3.	Active area in 68K mode.	61
Figure 4.	Reset Timing (80XXX mode)	62
Figure 5.	Reset Timing (68XXX mode)	62
Figure 6.	Bus Timing (80XXX mode)	62
Figure 7.	Bus Timing (Read Cycle) (68XXX mode)	63
Figure 8.	Bus Timing (Write Cycle) (68XXX mode)	63
Figure 9.	Interrupt Cycle Timing (68XXX mode)	64
Figure 10.	Port Timing	64
Figure 11.	Interrupt Timing (80xxx mode)	65
Figure 12.	Clock Timing	65
Figure 13.	Transmitter External Clocks	66
Figure 14.	Receiver External Clock	66
Figure 15.	Transmitter Timing	66
Figure 16.	Receiver Timing	67
Figure 17.	Wake-Up Mode	67
Figure 18.	Test Conditions on Outputs	68
TSSOP56:	plastic thin shrink small outline package; 56 leads; body width 6.1 mm (SOT364-1)	69

LIST OF TABLES

Table 1.	Interrupt Values	14
Table 2.	SC28L202 REGISTER BIT DESCRIPTIONS	19
Table 3.	Receiver FIFO Interrupt Fill Level MR0(3)=0	21
Table 4.	Receiver FIFO Interrupt Fill Level MR0(3)=1	21
Table 5.	Transmitter FIFO Interrupt Fill Level MR0(3)=0	21
Table 6.	Transmitter FIFO Interrupt Fill Level MR0(3)=0	21
Table 7.	SC28L92 Register Addressing READ (RDN = 0) WRITE (WRN = 0)	39
Table 8.	Baud Rate Generator Characteristics	40
Table 9.	Receiver FIFO Interrupt Fill Level MR0(3)=0	41
Table 10.	Receiver FIFO Interrupt Fill Level MR0(3)=1	41
Table 11.	Transmitter FIFO Interrupt Fill Level MR0(3)=0	41
Table 12.	Transmitter FIFO Interrupt Fill Level MR0(3)=1	41
Table 13.	Baud Rate (Base on a 14.7456 MHz crystal clock)	44
Table 14.	ACR 6:4 Field Definition	46
Table 1.	Interrupt Values	14
Table 2.	SC28L202 REGISTER BIT DESCRIPTIONS	18
Table 3.	Receiver FIFO Interrupt Fill Level MR0(3)=0	20
Table 4.	Receiver FIFO Interrupt Fill Level MR0(3)=1	20
Table 5.	Transmitter FIFO Interrupt Fill Level MR0(3)=0	20
Table 6.	Transmitter FIFO Interrupt Fill Level MR0(3)=0	20
Table 7.	SC28L92 Register Addressing READ (RDN = 0) WRITE (WRN = 0)	39
Table 8.	Baud Rate Generator Characteristics	40
Table 9.	Receiver FIFO Interrupt Fill Level MR0[3] = 0	41
Table 10.	Receiver FIFO Interrupt Fill Level MR0[3] = 1	41
Table 11.	Transmitter FIFO Interrupt Fill Level MR0[3] = 0	41
Table 12.	Transmitter FIFO Interrupt Fill Level MR0[3] = 1	41
Table 13.	Baud Rate (Base on a 14.7456 MHz crystal clock)	44
Table 14.	ACR 6:4 Field Definition	46

Dual UART

SC28L202

DESCRIPTION

The 28L202 is a high performance dual UART. Its functional and programming features closely match but greatly extend those of previous Philips dual channel UARTs. Its configuration on power up is similar that of the SC26C92. Its differences from the SC26C92 are: 256-character receiver, 256 character transmit FIFOs, 3 V and 5 V compatibility, 8 I/O ports for each UART—16 total, arbitrating interrupt system and overall faster bus and data speeds. It is fabricated in an advanced 0.5 micron CMOS process.

It is a member of the IMPACT[®] line of Data Communications parts

Pin programming will allow the device to operate with either the Motorola or Intel bus interface by changing the function of some pins (reset is inverted, DACKN, and IACKN enabled for example).

The Philips Semiconductors 28L202 Dual Universal Asynchronous Receiver/Transmitter (DUART) is a single-chip CMOS-LSI communications device that provides two full-duplex asynchronous receiver/transmitter channels in a single package. It interfaces directly with microprocessors and may be used in a polled or interrupt driven system. The use of the Interrupt system provides intelligent interrupt vectors.

The operating mode and data format of each channel may be programmed independently. Additionally, each receiver and transmitter can select its operating speed as one of twenty-seven fixed baud rates; a 16X clock derived from one of two programmable counter/timers, or an external 1X or 16X clock. The baud rate generator and counter/timer can operate directly from a crystal or from external clock inputs. The ability to independently program the operating speed of the receiver and transmitter make the DUART particularly attractive for dual-speed channel applications such as clustered terminal systems and bridges.

Each receiver and transmitter is buffered by 256 character FIFOs to nearly eliminate the potential of receiver overrun, transmitter underrun and to reduce interrupt overhead in interrupt driven systems. In addition, a flow control capability (Xon/Xoff and RTS/CTS) is provided to disable a remote transmitter when the receiver buffer is full.

Also provided on the 28L202 is a multipurpose 8-bit I/O for each channel. These can be used as general-purpose I/O ports or can be assigned specific functions (such as clock inputs or status and interrupt outputs) under program control. Normally they will be used for modem control and DMA interface. All ports have change of state detectors and input sections are always active making output signals available to the internal circuits and the control processor.

The 28L202 is available in a 52-pin TSSOP package. For other package options, contact Philips.

FEATURES

- Member of IMPACT family: 3.3 V to 5.0 V , -40°C to +85°C and 80xx or 68k bus interface (I/M modes) for all devices.
- Bit-by-bit real time transmission error check for high data integrity systems.
- Dual full-duplex independent asynchronous receiver/transmitters
- 256 character FIFOs for each receiver and transmitter
- Powers up to 9600 baud, 1 stop bit, no parity, 1 stop bit, interrupt disabled, all I/O set to input.
- Pin programming to 68K or 80xxx bus interface
- Three character recognition system per channel, used as:
 - General purpose character recognition
 - Xon/Xoff character recognition
 - Address recognition Wake up (multi-drop or '9 bit') mode
 - System provides 4 levels of automation on a recognition event
- Programmable data format
 - 5 to 8 data bits plus parity and 9 bit mode
 - Odd, even, no parity or force parity
 - 9/16,1, 1.5 or 2 stop bits
- 16-bit programmable Counter/Timer
- Programmable baud rate for each receiver and transmitter selectable from:
 - 27 fixed rates: 50 to 2.0 Meg baud (includes MIDI[®] rate)
 - Other baud rates via external clocks and C/T
 - Programmable user-defined rates derived from a programmable Counter/timer
 - External 1X or 16X clock
- Parity, framing, and overrun error detection
- Line break detection and generation; false start bit detection
- Programmable channel mode
 - Normal (full-duplex)
 - Automatic echo
 - Local loop back
 - Remote loop back
 - Multi-drop mode (also called 'wake-up' or '9-bit')
- Multi-function 8 bit I/O input port per channel loosely assigned to each channel.
 - Can serve as clock or control inputs
 - Change of state detection on eight inputs
 - Inputs have typically >100 MΩ pull-up resistors
 - Modem and DMA interface
- Versatile arbitrating interrupt system
 - Interrupt system totally supports 'single query' polling
 - Output port can be configured to provide a total of up to six separate interrupt type outputs that may be wire-ORed (switched to open drain).
 - Each FIFO can be independently programmed for any of 256 interrupt levels
 - Watch dog timer for each receiver
- Maximum data transfer rates: 1X – 3 Mb/sec, 16X – 2 Mb/sec
- Automatic wake-up mode for multi-drop applications
- Start-end break interrupt/status
- Detects break which originates in the middle of a character
- On-chip crystal oscillator
- Power down mode at less than 10 μa
- Receiver time-out mode
- Single +3.3V or +5V power supply

Dual UART

SC28L202

ORDERING INFORMATION

Type number	Package			Temperature range
	Name	Description	Version	
Industrial, V _{CC} = +3.3 +5 V ± 10 %				
SC28L202A1DGG	TSSOP56	plastic thin shrink small outline package; 56 leads; body width 6.1 mm	SOT364-1	T _{amb} = -40 °C to +85 °C

PIN CONFIGURATIONS

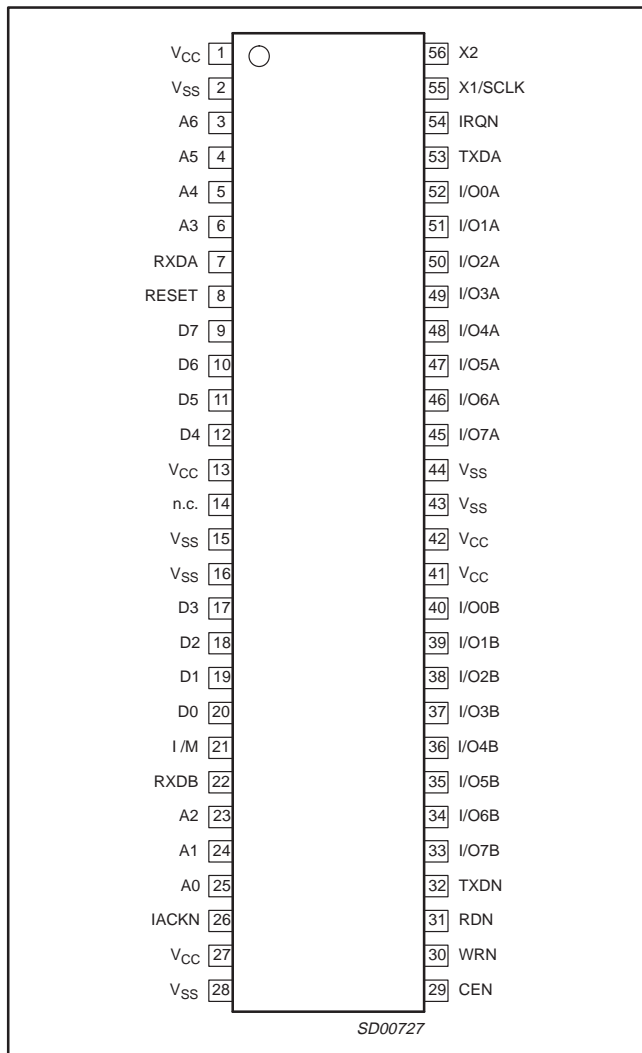


Figure 1. 80xxx TSSOP56

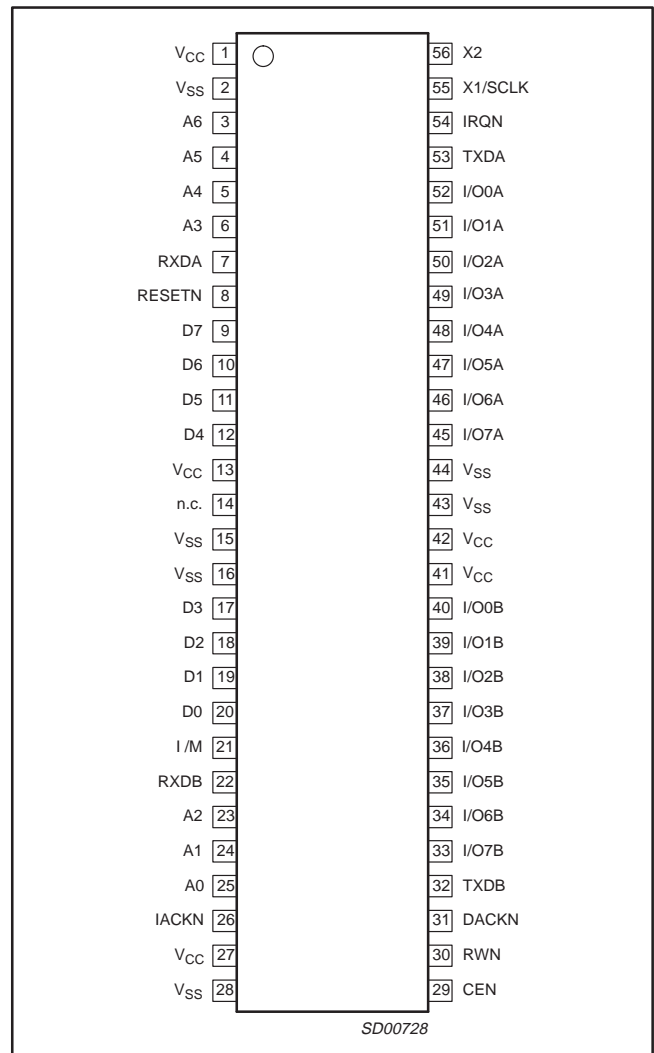


Figure 2. 68xxx TSSOP56

Dual UART

SC28L202

PIN CONFIGURATION FOR 80XXX BUS INTERFACE (INTEL) (see Figure 1)

Symbol	Pin no.	Pin type	Name and Function
I/M	21	I	Bus Configuration: When HIGH, configures the bus interface to the Conditions shown in this table.
D0–D7	20–17, 12–9	I/O	Data Bus: Bi-directional 3-State data bus used to transfer commands, data and status between the DUART and the CPU. D0 is the least significant bit.
CEN	29	I	Chip Enable: Active-LOW input signal. When LOW, data transfers between the CPU and the DUART are enabled on D0–D7 as controlled by the WRN, RDN and A6–A0 inputs. When HIGH, places the D0–D7 lines in the 3-State condition.
WRN	30	I	Write Strobe: When LOW and CEN is also LOW, the contents of the data bus is loaded into the addressed register. The transfer occurs on the rising edge of the signal.
RDN	31	I	Read Strobe: When LOW and CEN is also LOW, causes the contents of the addressed register to be presented on the data bus. The read cycle begins on the falling edge of RDN.
A6–A0	3–6, 23–25	I	Address Inputs: Select the DUART internal registers and ports for read/write operations.
RESET	8	I	Reset: A HIGH level clears internal registers (SR A, SR B, IMR, ISR, OPR, OPCR), places I/O[7:0] A and B at high impedance input state, stops the counter/timer, and puts Channels A and B in the inactive state, with the TxD A and TxD B outputs in the 'mark' (HIGH) state. Sets MR pointer to MR1 9600 baud, 1 start, no parity and 1 stop bit(s). (See Reset table)
IRQN	54	O	Interrupt Request: Active-LOW, open-drain, output which signals the CPU that one or more of the eighteen (18) maskable interrupting conditions are true.
IACKN	26	I	Interrupt Acknowledge: Active-LOW input indicates an interrupt acknowledge cycle. Usually asserted by the CPU in response to an interrupt request. When asserted places the interrupt vector on the bus.
X1/SCLK	55	I	Crystal 1: Crystal or external clock input. A crystal or clock of the specified limits must be supplied at all times. When a crystal is used, a capacitor must be connected from this pin to ground (see Figure 12).
X2	56	O	Crystal 2: Connection for other side of the crystal. When a crystal is used, a capacitor must be connected from this pin to ground (see Figure 12). If X1/Sclk is driven from an external source, this pin must be open or not driving more than 2 CMOS or TTL loads.
RxD A	7	I	Channel A Receiver Serial Data Input: The least significant bit is received first. 'Mark' is HIGH; 'space' is LOW.
RxD B	22	I	Channel B Receiver Serial Data Input: The least significant bit is received first. 'Mark' is HIGH; 'space' is LOW.
TxD A	53	O	Channel A Transmitter Serial Data Output: The least significant bit is transmitted first. This output is held in the 'mark' condition when the transmitter is disabled, idle or when operating in local loop back mode. 'Mark' is HIGH; 'space' is LOW.
TxD B	32	O	Channel B Transmitter Serial Data Output: The least significant bit is transmitted first. This output is held in the 'mark' condition when the transmitter is disabled, idle, or when operating in local loop back mode. 'Mark' is HIGH; 'space' is LOW.
I/O[7:0]A	45–52	I/O	General-purpose input and output ports channel A: The character of these pins is controlled by I/OPCR. They may be inputs or outputs and will present many internal clocks and interrupt signals: RTS, CTS, DTR, DSR etc. All have change of state detectors and the input is always active. These pins are set to input only when addressed from the low order 16 address space. When these pins are configured for interrupt type signals (RxRDY, TxRDY, C/TRDY) They switch to open drain outputs. Each of these pins have a small pull-up 'resistor' that supplies approximately 5 μ A of current.
I/O[7:0]B	33–40	I/O	General-purpose input and output ports channel B: The character of these pins is controlled by I/OPCR. They may be inputs or outputs and will present many internal clocks and interrupt signals: RTS, CTS, DTR, DSR etc. All have change of state detectors and the input is always active. These pins are set to output only when addressed from the low order 16 address space. When these pins are configured for interrupt type signals (RxRDY, TxRDY, C/TRDY) They switch to open drain outputs. Each of these pins have a small pull-up 'resistor' that supplies approximately 5 μ A of current.
V _{CC}	1, 13, 27, 41, 42	Power	Power Supply (5 pins): +3.3 V or +5 V supply input \pm 10%. Operation is assured from 2.97 V to 5.5 V. Timing parameters are specified with respect to the V _{CC} being at 3.3 V \pm 10% or 5.0 V \pm 10%.
V _{SS}	2, 15, 16, 28, 43, 44	Power	Ground (6 pins)
n.c.	14	–	not connected

Dual UART

SC28L202

CONFIGURATION FOR 68XXX BUS INTERFACE (MOTOROLA) (see Figure 2)

Symbol	Pin no.	Pin type	Name and Function
I/M	21	I	Bus Configuration: When LOW configures the bus interface to the Conditions shown in this table.
D0–D7	20–17, 12–9	I/O	Data Bus: Bi-directional 3-State data bus used to transfer commands, data and status between the DUART and the CPU. D0 is the least significant bit.
CEN	29	I	Chip Enable: Active-LOW input signal. When LOW, data transfers between the CPU and the DUART are enabled on D0–D7 as controlled by the R/WN and A0–A6 inputs. When HIGH, places the D0–D7 lines in the 3-State condition.
R/WN	30	I	Read/Write: Input Signal. When CEN is LOW R/WN HIGH input a read cycle, when LOW a write cycle.
IACKN	26	I	Interrupt Acknowledge: Active-LOW input indicates an interrupt acknowledge cycle. Usually asserted by the CPU in response to an interrupt request. When asserted places the interrupt vector on the bus and asserts DACKN.
DACKN	31	O	Data Transfer Acknowledge: An open-drain active-LOW output asserted in a write, read, or interrupt acknowledge cycle to indicate proper transfer of data between the CPU and the DUART.
A6–A0	3–6, 23–25	I	Address Inputs: Select the DUART internal registers and ports for read/write operations.
RESETN	8	I	Reset: A LOW level clears internal registers (SR A , SR B, IMR, ISR, OPR, OPCR), places I/O[7:0] A and B at high impedance input state, stops the counter/timer, and puts Channels A and B in the inactive state, with the TxD A and TxD B outputs in the mark (HIGH) state. Sets MR pointer to MR1, 9600 baud, 1 start, no parity and 1 stop bit(s). (See Reset Table)
IRQN	54	O	Interrupt Request: Active-LOW, open-drain, output which signals the CPU that one or more of the eighteen (18) maskable interrupting conditions are true.
X1/SCLK	55	I	Crystal 1: Crystal or external clock input. A crystal or clock of the specified limits must be supplied at all times. When a crystal is used, a capacitor must be connected from this pin to ground (see Figure 12).
X2	56	O	Crystal 2: Connection for other side of the crystal. When a crystal is used, a capacitor must be connected from this pin to ground (see Figure 12). If Sclk is driven from an external source, this pin must be left open.
RxD A	7	I	Channel A Receiver Serial Data Input: The least significant bit is received first. 'Mark' is HIGH; 'space' is LOW.
RxD B	22	I	Channel B Receiver Serial Data Input: The least significant bit is received first. 'Mark' is HIGH; 'space' is LOW.
TxD A	53	O	Channel A Transmitter Serial Data Output: The least significant bit is transmitted first. This output is held in the 'mark' condition when the transmitter is disabled, idle or when operating in local loop back mode. 'Mark' is HIGH; 'space' is LOW.
TxD B	32	O	Channel B Transmitter Serial Data Output: The least significant bit is transmitted first. This output is held in the 'mark' condition when the transmitter is disabled, idle, or when operating in local loop back mode. 'Mark' is HIGH; 'space' is LOW.
I/O[7:0]A	45–52	I/O	General-purpose input and output ports channel A: The character of these pins is controlled by I/OPCR. They may be inputs or outputs and will present many internal clocks and interrupt signals: RTS, CTS, DTR, DSR etc. All have change of state detectors and the input is always active. These pins are set to input only when addressed from the low order 16 address space. When these pins are configured for interrupt type signals (RxRDY, TxRDY, C/TRDY) They switch to open drain outputs. Each of these pins have a small pull-up 'resistor' that supplies approximately 5 μ A of current.
I/O[7:0]B	33–40	I/O	General-purpose input and output ports channel B: The character of these pins is controlled by I/OPCR. They may be inputs or outputs and will present many internal clocks and interrupt signals: RTS, CTS, DTR, DSR etc. All have change of state detectors and the input is always active. These pins are set to output only when addressed from the low order 16 address space. When these pins are configured for interrupt type signals (RxRDY, TxRDY, C/TRDY) They switch to open drain outputs. Each of these pins have a small pull-up 'resistor' that supplies approximately 5 μ A of current.
Vcc	1, 13, 27, 41, 42	Power	Power Supply (5 pins): +3.3 or +5V supply input \pm 10% (4 Vcc Pins)). Operation is assured from 2.97 V to 5.5 V. Timing parameters are specified with respect to the Vcc being at 3.3 V \pm 10% or 5.0 V \pm 10%.
Vss	2, 15, 16, 28, 43, 44	Power	Ground (6 Vss Pins)
n.c.	14		not connected

Dual UART

SC28L202

OVERALL DESCRIPTION

The SC28L202 is composed of several functional blocks. They are listed in the approximate order of hierarchy as seen from the pins of the device.

- Bus interface. 68K or x86 format
- Timing Circuits
- I/O Ports
- UARTs
- Transmitters and Receivers
- Transmitter real time error test
- FIFO Structures
- Arbitrating Interrupt Structure
- Character & Address Recognition
- Flow Control
- Test and Software compatibility with previous Philips (Signetics) UARTs

BRIEF DESCRIPTION OF FUNCTIONAL BLOCKS**Bus Interface****The Two basic modes of Bus Interface**

The bus interface operates in '68K' or 'x86' format as selected by the I/M pin. The signals used by this section are the Address, Data bus, Chip select, read/write, Data acknowledge and Interrupt acknowledge and Interrupt request. Assertion of DACKN requires two edges of the Sclk after the assertion of CEN. The default mode is the x86 mode. Pin or register programming may change it to the 68K mode.

Timing Circuits**Crystal Oscillator**

The crystal oscillator is the main timing element for the 28L202. It is nominally set at 14.7456 MHz. Operation with a crystal as a frequency standard is specified from 7 MHz to 16.2 MHz. The use of an external clock allows all frequencies to 50 MHz. Clock prescalers are provided to match various available system clocks to those needed for baud rate generation.

NOTE: if an external clock is used X2 should not drive more than 2 CMOS or 2 TTL equivalents.

Fixed Rate BRG

The BRG is the baud rate generator, is driven by the X1/Sclk input through a programmable prescale divider. It generates all of the 27 'fixed' internal baud rates. This baud rate generator is designed to generate the industry standard baud rates from a 14.7456 MHz crystal or clock frequency. X1/Sclk frequencies different from 14.7456 MHz will cause the 'fixed' baud rates to change by exactly the ratio of 14.7456 to the different frequency.

Counter-Timer

The two counter-timers are programmable 16 bit 'down' counters. It provides miscellaneous baud rates, timing periods and acts as an extra watchdog timer for the receivers. It has 8 programmable clock sources derived from internal and external signals. It may also act as a character counter for the receiver. Interrupts from the counter timer are generated as it passes through zero.

Programmable BRG (PBRG)

This is another 16 bit programmable counter to generate only baud rates or miscellaneous clock frequencies. Its output is available to

the receivers and transmitters and may be delivered to I/O ports. It has 8 programmable clock sources derived from internal and external signals.

I/O ports

The SC28L202 is provided with 16 I/O ports. These ports are true input and/or output structures and are equipped with a change of state detector. The input circuit of these pins is **always** active. Under program control the ports may display internal signals or static logic levels. The functions represented by the I/O ports include hardware flow control. Modem signals, signals for interrupt conditions or various internal clocks and timing intervals. Noisy inputs to the I/O ports are filtered (de-bounced) by a 38.4 KHz clock. Change of state detectors are provided for each pin and are always available.

UARTs

The UARTs are fully independent, full duplex and provide all normal asynchronous functions: 5 to 8 data bits, parity odd or even, programmable stop bit length, false start bit detection. Also provided are 256 byte FIFOs Xon/Xoff software flow. The BRG, Counter-timer, or external clocks provide the baud rates. The receivers and transmitters may operate in either the '1x' or '16x' modes.

The control section recognizes two address schemes. One is the subset of the other: a four (4) bit and an eight (7) bit address spaces. The purpose of this is to provide a large degree of software compatibility with previous Philips/Signetics UARTs.

Transmitters and Receivers

The transmitters and receivers are independent devices capable of full duplex operation. Baud rates, interrupt and status conditions are under separate control. Transmitters have automatic simplex 'turnaround'. Receivers have RTS and Xon/Xoff flow control and a three character recognition system.

Transmitter Real Time Error Check

This is a circuit used to verify that the correct data arrived at the destination. It is done real time with one or two bit times of programmable delay. The purpose is to relieve the processor of the burden of byte-by-byte checking and the delay in sending a block of data back for processor checking.

The function is that the receiver returns the data received back to the transmitting station where it is compared to a delayed version of the data sent. If an error occurs, an interrupt may be generated for the particular bit that is in error. This is essentially a loop back condition where circuits internal to the UART delay and compare the data.

It is suggested that a very high priority be set in the interrupt arbitration bid control register for this interrupt when in use.

FIFO Structures

The FIFO structure is 256 bytes for each of the four FIFOs in the DUART. They are organized as 11 bit words for the receiver and 8 byte words for the transmitter. The interrupt level may be set at any value from 0 to 255. The interrupt level is independently set for each FIFO.

FIFO interrupt and DMA fill/empty levels are controlled by the RxFIL and TxFIL registers which may set any level of the from 0 to 255. The signals associated with the FIFO fill levels are available to the I/O pins (for interrupt or DMA) and to the arbitrating interrupt system for 'fine tuning' of the arbitration authority.

Intelligent Interrupt Arbitration

The interrupt system uses a highly programmable arbitrating technique to establish when an interrupt should be presented to the

Dual UART

SC28L202

processor. The advantageous feature of this system is the presentation of the context of the interrupt. It is presented in both a current interrupt register and in the interrupt vector. The context of the interrupt shows the interrupting channel, identifies which of the 18 possible sources in requesting interrupt service and in the case of a receiver or transmitter gives the current fill level of the FIFO.

The content of the current interrupt register also drives the Global Registers of the interrupt system. These registers are indirect addresses (pointers) to the interrupt source requesting service.

Programming of Bid Control Registers allows the interrupt level of any source to be varied at any time over a range of 256 levels.

Character and Address Recognition

The character recognition system is designed as a general-purpose system. There is one for each UART. Each recognition block stores up to three characters. The recognition is done on a byte boundary and sets status and interrupt when recognition events occur. Three modes of automatic operation are provided for the in-band flow control and three modes of automatic operation are provided for address recognition. Both in-band flow control and address recognition may also be completely under the control of the host processor.

A subset of the recognition system is Xon/Xoff character recognition and the recognition of the multi-drop address character. If Xon/Xoff or multi-drop function is enabled the recognition system passes the information about the recognition event to the appropriate receiver or transmitter state machine for execution. In any case the information about a recognition event is available to the interrupt system and to the control processor.

Flow Control

Flow control is implemented in either the traditional RTS/CTS protocol or in the 'inbound' Xon/Xoff method. Both may be controlled by fully/partially automatic methods or by interrupt generation.

Test Modes and Software

Four test modes are provided to verify UART function and processor interface integrity. The first three are Auto echo, Local Loop Back, and Remote Loop Back. Through local loop back the software developer may verify all of the interrupt, flow control; the hardware designer verify all of the timing and pin connections. This information is obtained **without** any recourse to external test equipment, logic analyzers or terminals.

The fourth, Receiver Error Loop back verification, employs a method of automatic checking (accounting for transmission delays) of the transmitted data to as echoed back through the remote receiver. Errors generate interrupt and status events.

DETAILED DESCRIPTIONS

NOTE: For the convenience of the reader some paragraphs of the following sections are repeated in descriptions of closely linked functions described in other sections.

Bus Interface

The bus interface operates in two modes selected by the I/M pin. If this pin is HIGH the signals DACKN signal is not generated or used and data flow to and from the chip is controlled by the state the CEN, RDN, WRN pin combination. If the I/M pin is tied low the data is written to the device when the DACKN pin is asserted low by the DUART. Read data is presented by a delay from CEN active.

The Host interface is comprised of the signal pins CEN, WRN, RDN, (or R/WN) IACKN, DACKN, IRQN, 6 address pins and 8 three-state

data bus pins. Addressing of the various functions of the DUART is through the address bus A(6:0). Data is presented on the 8-bit data bus.

DACKN Cycle

When operating in the '68K' mode, bus cycle completion is indicated by the DACKN pin (an open-drain signal) going LOW. The timing of DACKN is controlled by GCCR[7:6] where three time delays area available. The delay begins with the falling edge of CEN. DACKN is presented after 1/2 to three periods of the X1/SCLK. The minimum time will be two edges of the X1/SCLK and will be realized when the bus cycle begins just before the transition of X1/SCLK. Usually in this mode the address and data are set up with respect to the leading edge of the bus cycle. Timing diagrams for this mode are drawn with DACKN in consideration. When CEN is withdrawn before DACKN occurs, the generation of the DACKN signal and bus cycle will be terminated. In this case, the bus timing will return to that of Intel type timing for that particular cycle. This timing should not be less than the minimum read or write pulse.

The DACKN pin is an open-drain driver. At the termination of an access to the L202 DACKN drives the pin to high impedance until the next DACKN cycle. This will occur at the termination of the CEN or IACKN cycle.

NOTE: The faster X86 timing may be used in the 68K mode IF the bus cycles are faster than 1/2 period of the Sclk clock. Withdrawing CEN before DACKN prevents the generation of DACKN. In this case bus timing is effectively that of the X86 mode.

When operating in the 'x86' mode DACKN is not generated. Data is written on the termination of CEN or WRN whichever one occurs first. Read data is presented from the leading edge of the read condition (CEN and RDN both low).

In the 68K mode data is written to the registers on the rise of CEN or the fall of DACKN, whichever one occurs first. Data on a read cycle will become valid with respect to the fall of CEN. It will always be valid at the fall of DACKN.

IACKN Cycle, Update CIR

When the host CPU responds to the interrupt, it will usually assert the IACKN signal low. This will cause the intelligent interrupt system of the DUART to generate an IACKN cycle in which the condition of the interrupting source is determined. When IACKN asserts, the last valid of the interrupt arbitration cycle is captured in the CIR. The value captured presents all of the important details of the highest priority interrupt at the moment the IACKN (or the 'Update CIR' command) was asserted. Due to system interrupt latency the interrupt condition captured by the CIR may not be the condition that caused the initial assertion of the interrupt.

The Dual UART will respond to the IACKN cycle with an interrupt vector. The interrupt vector may be a fixed value, the content of the Interrupt Vector Register, or when 'Interrupt Vector Modification' is enabled via ICR, it may contain codes for the interrupt type and/or interrupting channel. This allows the interrupt vector to steer the interrupt service **directly** to the proper service routine. The interrupt value captured in the CIR remains until another IACKN or 'Update CIR' command is given to the DUART. The interrupting channel and interrupt type fields of the CIR set the current 'interrupt context' of the DUART. The channel component of the interrupt context allows the use of Global Interrupt Information registers that appear at fixed positions in the register address map. For example, a read of the Global Rx FIFO will read the channel B Rx FIFO if the CIR interrupt context is channel B receiver. At another time read of the GRx FIFO may read the channel A Rx FIFO (CIR holds a channel A receiver interrupt) and so on. Global registers exist to facilitate qualifying the

Dual UART

SC28L202

interrupt parameters and for writing to and reading from FIFOs without explicitly addressing them.

The CIR will load with 0x00 if IACKN or Update CIR is asserted when the arbitration circuit is NOT asserting an interrupt. In this condition there is no arbitration value that exceeds the threshold value. When Interrupt vector modification is active in this situation the interrupt vector bits associated with the CIR will all be zero. A zero type field indicates nothing with in the DUART is requiring processor service.

NOTE: IACKN is essentially a special read action where the value of the interrupt vector is presented to the data bus.

Timing Circuit Crystal Oscillator

The crystal oscillator operates directly from a crystal, tuned between 7.0 MHz and 16.2 MHz connected across the X1/Sclk and X2 inputs with a minimum of external components. BRG values listed for the clock select registers correspond to a 14.7456 MHz crystal frequency. Use of different frequencies will change the 'standard' baud rates by precisely the ratio of 14.7456 MHz to the different crystal frequency.

An external clock up to 50 MHz frequency range may be connected to X1/Sclk pin. If an external clock is used instead of a crystal, X1/Sclk **must** be driven and X2 left floating or driving a load of not more than 2 CMOS or TTL equivalents. The X1/Sclk clock serves as the basic timing reference for the baud rate generator (BRG) and is available to the programmable BRG (PBRG), counter-timers, control logic and the UART receivers and transmitters.

Baud Rate Generator BRG

The baud rate generator operates from the oscillator or external X1/Sclk clock input and generates 27 commonly used data communications baud rates (including MIDI) ranging from 50 baud to 921.6K baud. These common rates may be increased (up to 3000K baud) when faster clocks are used on the X1/Sclk clock input. (See Receiver and Transmitter Clock Select Register descriptions.) All of these are available simultaneously for use by any receiver or transmitter. The clock outputs from the BRG are at 16X the actual baud rate.

Please see counter timer description for a description of the frequency error that the asynchronous protocol may tolerate. Depending on character length it varies from 4.1% to 6.7%.

Counter-Timer

The two Counter/Timers are programmable 16 bit dividers that are used for generating miscellaneous clocks or generating timeout periods or counting characters received by the receivers. Interrupts may be generated any time the counter passes through 0x00. These clocks may be used by any or all of the receivers and transmitters in the DUART or may be directed to an I/O pin for miscellaneous use.

Counter/Timer programming

The counter timer is a 16-bit programmable divider that operates in one of four modes: character count, counter, timer, and time out. Character count counts characters. The timer mode generates a square wave. In the counter mode it generates a time delay. In the time out mode it monitors the time between received characters. The C/T uses the numbers loaded into the Counter/Timer Lower Register (CTPL) and the Counter/Timer Upper Register (CTPU) as its divisor. The counter timer is controlled with six commands: Start/Stop C/T, Read/Write Counter/Timer lower register and Read/Write Counter/Timer upper register. These commands have slight differences depending on the mode of operation. Please see the detail of the commands under the CTPL/CTPU Register descriptions.

Whenever these timers are selected via the receiver or transmitter Clock Select register their output will be configured as a 16x clock for the respective receiver or transmitter. Therefore one needs to program the timers to generate a clock 16 times faster than the data rate. The formula for calculating 'n', the number loaded to the CTPU and CTPL registers, based on a particular input clock frequency is shown below.

For the timer mode the formula is as follows:

$$n = \frac{\text{C/T clock input frequency}}{(2 \times 16 \times (\text{desired baud rate}))}$$

(If the pulse mode is selected, then '2' in the divisor should be '1'. This doubles the C/T output speeds for any given input clock.)

NOTE: 'n' may assume a value of 1. In previous Philips data communications controllers this value was not allowed. The Counter/Timer Clock Select Register (CTCS) controls the Counter/Timer input frequency.

The frequency generated from the above formula will be at a rate 16 times faster than the desired baud rate. The transmitter and receiver state machines include divide by 16 circuits, which provide the final frequency and provide various timing edges used in the qualifying the serial data bit stream. Often this division will result in a non-integer value: 26.3 for example. One may only program integer numbers to a digital divider. There for 26 would be chosen. If 26.7 were the result of the division then 27 would be chosen. This gives a baud rate error of 0.3/26.3 or 0.3/26.7 that yields a percentage error of 1.14% or 1.12% respectively, well within the ability of the asynchronous mode of operation. Higher input frequency to the counter reduces the error effect of the fractional division.

One should be cautious about the assumed benign effects of small errors since the other receiver or transmitter with which one is communicating may also have a small error in the precise baud rate. In a 'clean' communications environment using one start bit, eight data bits and one stop bit the total difference allowed between the transmitter and receiver frequency is approximately 4.6%. Less than eight data bits will increase this percentage.

Programmable Baud Rate Generators. PBRG

Two PBRG Counters (Used only for random baud rate generation) The two PBRG Timers are programmable 16 bit dividers that are used for generating miscellaneous clocks. These clocks may be used by any or all of the receivers and transmitters in the SC28L202 or output to the general purpose I/O pins.

Each timer unit has eight different clock sources available to it as described in the PBRG clock source Register. Note that the timer run and stop controls are also contained in this register. The PBRG counters generate a symmetrical square wave whose half period is equal in time to the division of the selected PBRG Timer clock source by the number loaded to the PBRGPU and PBRGPL Preset Registers. Thus, the output frequency will be the clock source frequency divided by twice the 16 bit value loaded to these registers. This is the result of counting down once for the high portion of the output wave and once for the low portion.

Whenever these timers are selected via the receiver or transmitter Clock Select register their output will be configured as a 16x clock for the respective receiver or transmitter. Therefore one needs to program the timers to generate a clock 16 times faster than the data rate. The formula for calculating 'n', the number loaded to the PBRGPL and PBRGPU registers, is the same as shown above.

Dual UART

SC28L202

I/O Ports

Eight I/O ports are 'loosely' provided for each channel. They may be programmed to be inputs or outputs. The input circuits are always active whether programmed as and input or an output. In general a 2-bit code in the *IOPCR* (I/O Port Control Register) controls what function these pins will present. All I/O ports default to high impedance input state on power up. All 16 I/O pins have a small pull-up 'resistor' that provides approximately 5 μ A current.

When calling software written for legacy two channel UARTs manufactured by Philips (Signetics), be sure I/O pins are set to input where the legacy software expected an input. Declare I/O pins as output where the legacy software expected an output.

Input Characteristics of the I/O ports

Eight I/O pins are provided for each channel. These pins are configured individually to be inputs or outputs. As inputs they may be used to bring external data to the bus, as clocks for internal functions or external control signals. Each I/O pin has a 'Change of State' detector. The change detectors are used to signal a change in the signal level at the pin (Either 0-to-1 or 1-to-0 transitions). The level change on these pins must be stable for 25 to 50 μ s (two edges of the internally generated 38.4 kHz baud rate clock) before the detectors will signal a valid change. These are typically used for interface signals from modems to the DUART and from there to the host.

Output Port of the I/O ports

The OPR, IOPCR, MR, and CR registers may control the I/O pins when configured as outputs. (For the control in the lower 16 position address space the control register is the OPCR) Via appropriate programming the pins of the output port may be configured as another parallel port to external circuits, or they may represent internal conditions of the UART. When this 8-bit port is used as a general-purpose output port, the output port pins drive inverse logic levels of the individual bits in the Output Port Register (OPR). The OPR register is set and reset by writing to the SOPR and ROPR addresses. (See the description of the SOPR and ROPR registers). The output pins will drive the same data polarity of the OPR registers. The IOPCR (or the OPCR) register conditions these output pins to be controlled by the OPR or by other signals in the chip. Output ports are driven high on hardware reset.

UART Operation

Receiver and Transmitter

The Dual UART has two full duplex asynchronous receiver/transmitters. The operating frequency for the receiver and transmitter can be selected independently from the baud rate generator, the counter, or from an external input. Registers that are central to basic full-duplex operation are the mode registers (MR0, MR1 and MR2), the clock select registers (RxCSSR and TxCSSR), the command register (CR), the status register (SR), the transmit holding register (TxFIFO), the receive holding register (RxTxFIFO), interrupt status register (ISR) and interrupt mask register (IMR). MR3 controls the automatic activity or the Xon/Xoff flow control, Address recognition, multi-drop ('9-bit' mode) and general purpose character recognition. Because MR3 does not exist in legacy UARTs, these features should be disabled before legacy code is loaded.

Transmitter Status Bits

The SR (Status Register, one per UART) contains two bits that show the condition of the transmitter FIFO. These bits are TxRDY and Tx Idle. TxRDY means the TxTxFIFO has space available for one or more bytes; Tx Idle means The TxTxFIFO is completely empty and the last stop bit has been completed—the transmitter is underrun. Tx Idle

can not be active without TxRDY also being active. These two bits will go active upon initial enabling of the transmitter.

The transmitter status bits are normally cleared by servicing the interrupt condition they represent or by Tx reset or Tx disable commands.

Transmission resumes and the Tx Idle bit is cleared when the CPU loads at least one new character into the TxTxFIFO. The TxRDY will not extinguish until the TxTxFIFO is completely full. The TxRDY bit will always be active when the transmitter is enabled and there is at least one open position in the TxTxFIFO.

The transmitter is disabled by a hardware reset, a transmitter reset in the command register or by the transmitter disable bit also in the command register (CR). The transmitter must be explicitly enabled via the CR before transmission can begin. Note that characters cannot be loaded into the TxTxFIFO while the transmitter is disabled, hence it is necessary to enable the transmitter and then load the TxTxFIFO. It is not possible to load the TxTxFIFO and then enable the transmission.

Note the difference between transmitter disable and transmitter reset.

Either hardware or software may cause the reset action. When reset the transmitter stops transmission immediately. The transmit data output will be driven high, transmitter status bits set to zero and any data remaining in the TxTxFIFO is effectively discarded.

The transmitter disable is controlled by the Tx Enable bit in the command register. Setting this bit to zero will not stop the transmitter immediately but will allow it to complete any tasks presently underway. It is only when the last character in the TxTxFIFO and its stop bit(s) have been transmitted that the transmitter will go to its disabled state. While the transmitter enable/disable bit in the command register is at zero the TxTxFIFO will not accept any more characters and the Tx Idle and TxRDY bits of the status register set to zero.

Transmission of 'break'

Transmission of a break character is often needed as a synchronizing condition in a data stream. The 'break' is defined as a start bit followed by all zero data bits by a zero parity bit (if parity is enabled) and a zero in the stop bit position. The forgoing is the minimum time to define a break. The transmitter can be forced to send a break (continuous low condition) by issuing a start break command via the CR. Once the break starts, the Tx output remains low until the host issues a command to 'stop break' via the CR or the transmitter is issued a software or hardware reset. In normal operation the break is usually much longer than one character time.

1x and 16x modes, Transmitter

The transmitter clocking has two modes: 16x and 1x. Data is **always** sent at the 1x rate. However the logic of the transmitter may be operated with a clock that is 16 times faster than the data rate or at the same rate as the data i.e. 1x. All clocks selected internally for the transmitter (and the receiver) will be 16x clocks. Only when an external clock is selected may the transmitter logic and state machine operate in the 1x mode. The 1x or 16x clocking makes little difference in transmitter operation. (**This is not true in the receiver**) In the 16X-clock mode the transmitter will recognize a byte in the TxTxFIFO within 1/16 to 2/16-bit time and thus begin transmission of the start bit. In the 1x mode this delay may be up to 2 bit times.

Transmitter FIFO

The FIFO configuration of the as 28L202 is 256 8-bit words. Interrupt levels may be set to any level within the FIFO size and may be set differently for each FIFO. Logic associated with the FIFO

Dual UART

SC28L202

encodes the number of empty positions for presentation to the interrupt arbitration system. The encoding value is the number of empty positions. Thus, an empty TxFIFO will bid with the value or 255; when full it will not bid at all; one position empty bids with the value 0. A Full TxFIFO will not bid since no character is available.

Normally TxFIFO will present a bid to the arbitration system whenever it has one or more empty positions. The Bits of the TxFIFO Interrupt Level in the MR0(5:4) allow the user to modify this characteristic so that bidding will not start until one of four levels (one or more filled, empty, 16 filled, 240 filled, full) have been reached. As will be shown later this feature may be used to make moderate improvements in the interrupt service efficiency. A similar system exists for the Receiver.

Transmitter

The 28L202 is conditioned to transmit data when the transmitter is enabled through the command register. The transmitter of the 28L202 indicates to the CPU that it is ready to accept a character by setting the ISR TxRDY bit in the status register. This condition can be programmed to generate an interrupt request at I/O4 or IRQN. When the transmitter is initially enabled the TxRDY and Tx Idle bits will be set in the status register. When a character is loaded to the transmit FIFO the Tx Idle bit will be reset. The Tx Idle bit will not set until the transmit FIFO is empty and the transmit shift register has finished transmitting the stop bit of the last character written to the transmit FIFO.

The TxRDY bit is set whenever the transmitter is enabled and the TxFIFO is not full. Data is transferred from the holding register to transmit shift register when it is idle or has completed transmission of the previous character. Characters cannot be loaded into the TxFIFO while the transmitter is disabled.

The transmitter converts the parallel data from the CPU to a serial bit stream on the TxD output pin. It automatically sends a start bit followed by the programmed number of data bits, an optional parity bit, and the programmed number of stop bits. The least significant bit is sent first. Following the transmission of the stop bits, if a new character is not available in the TxFIFO, the TxD output remains High and the Tx Idle bit in the Status Register (SR) will be set to 1. Transmission resumes and the Tx Idle bit is cleared when the CPU loads a new character into the TxFIFO.

If the transmitter is disabled, it continues operating until the character currently being transmitted is completely sent out. The transmitter can be forced to send a continuous Low condition by issuing a send break command. The transmitter can be reset through a software command. If it is reset, operation ceases immediately and the transmitter must be enabled through the command register before resuming operation.

If CTS option of hardware flow control is enabled (MR2 [4] = 1), the CTS input at I/O0 or I/O1 must be Low in order for the character to be transmitted. The transmitter will check the state of the CTS input at the beginning of each character transmitted. If it is found to be High, the transmitter will delay the transmission of any following characters until the CTS has returned to the low state. CTS going high during the serialization of a character will not affect that character.

It is an interesting point of the I/O system inputs being always active that by enabling transmitter to be sensitive the I/O0 or I/O1 and then controlling the I/O pin as an out put that one is able to control the transmitter flow via software control of the I/O pin.

The transmitter can also control the RTSN outputs, I/O0 or I/O1 via MR2 [5]. When this mode of operation is set (often referred to as the

RS-485 method) the meaning of the I/O0 B or I/O1 B signals is 'all bytes loaded to the transmitter's FIFO have been transmitted including the last stop bit(s). See the MR2(5) description for enabling this automatic function.

Receiver Operation**Receiver**

The receiver accepts serial data on the RxD pin, converts the serial input to parallel format, checks for start bit, stop bit, parity bit (if any), framing error or break condition, and presents the assembled character and its status condition to the CPU via the Rx FIFO. Three status bits are FIFOed with each character received. The Rx FIFO is really 11 bits wide: eight data and 3 status. Unused FIFO bits for character lengths less than 8 bits are set to zero.

It is important to note that in the asynchronous protocol the receiver logic considers the entire message to be contained within the start bit to the stop bit. It is not aware that a message may contain many characters. The receiver returns to its idle mode at the end of each stop bit! As described below it immediately begins to search for another start bit, which is normally, of course, immediately forthcoming.

1x and 16x mode, Receiver

The receiver operates in one of two modes: 1x and 16x. Of the two, the 16x is more robust and the preferred mode. Although the 1x mode may allow a faster data rate it does not provide for the alignment of the receiver 1x data clock to that of the transmitter. This strongly implies that the 1x clock of the remote transmitter is available to the receiver; the two devices are physically close to each other.

The 16x mode operates the receiver logic at a rate 16 times faster than the 1x data rate. This allows for validation of the start bit length, the validation of level changes at the receiver serial data input (RxD), and the validation of the stop bit length. Of most importance in the 16x mode is the ability of the receiver logic to align the phase of the internally generated receiver 1x data clock to that of the received start bit of the remote transmitter. This occurs with an accuracy of less than 1/16 bit time.

Receiver

The receiver of the 28L202 is conditioned to receive data when enabled through the command register. The receiver looks for a High-to-Low (mark-to-space) transition of the start bit on the RxD input pin. If a transition is detected, the state of the RxD pin is sampled each 16X clock for 7-1/2 clock periods (16X clock mode) or at the next rising edge of the bit time clock (1X clock mode). If RxD is sampled high, (that is the start bit was low less than 7/16 to 1/2 bit time) the start bit is judged invalid and the search for another valid start bit begins immediately. If RxD is still low, a valid start bit is assumed and the receiver then continues to sample the input at one-bit time intervals at the theoretical center of the bit. When the proper number of data bits and parity bit (if used) have been assembled, and one half-stop bit has been detected the receiver loads the byte to the FIFO. The least significant bit is received first. The data is then transferred to the Receive FIFO and the ISR RxRDY bit in the SR is set to a 1. This condition can be programmed to generate an interrupt at IRQN or I/O[4:5] for channels A or B respectively. If the character length is less than 8 bits, the most significant unused bits in the Rx FIFO are set to zero.

After the stop bit is detected, the receiver will immediately look for the next start bit. However, if a non-zero character was received with the stop bit at a zero level (framing error) and RxD remains Low for at least another one half bit time after the stop bit was sampled, then

Dual UART

SC28L202

the receiver operates as if a new start bit had been detected. It then continues assembling the next character.

The error conditions of parity error, framing error, and overrun error (if any) are written to the SR at the received character boundary. This is just before the RxRDY status bit is set.

A break condition is detected when RxD is Low for the entire character including the parity bit, if used, and stop bit. When a break is found a character consisting of all zeros will be loaded into the Rx FIFO, the received break bit in the SR and the 'change of break' bit in the ISR are set to 1 and the receiver ready is set in the SR. The RxD input must **return to high for two (2) clock edges** of the Rx C1x clock for the receiver to recognize the end of the break condition. At the end of the break condition the search for the next start bit begins.

Two edges of the Rx C1x clock will usually require a high time of one Rx C1x clock period or 3 Rx C1x edges since the clock of the controller is usually not synchronous to nor in phase with the Rx C1x clock.

Receiver Status Bits

There are five (5) status bits that are evaluated with each byte (or character) received: received break, framing error, parity error, overrun error, and change of break. The first three are appended to each byte and stored in the Rx FIFO. The last two are not necessarily related to the byte being received or a byte that is in the Rx FIFO. They are however developed by the receiver state machine.

The receiver status bits are normally cleared by servicing the interrupt condition they represent or by Rx reset or Rx disable commands or the several error reset commands in the Command Register (CR).

The 'received break' will always be associated with a zero byte in the Rx FIFO. It means that zero character was a break character and not a zero data byte. The reception of a break condition will always set the 'change of break' (see below) status bit in the Interrupt Status Register (ISR).

The Change of break condition is reset by a reset error status command in the command register

A framing error occurs when a non-zero character was seen and that character has a zero in the stop bit position.

The parity error indicates that the receiver-generated parity was not the same as that sent by the transmitter.

The framing, parity and received break status bits are reset when the associated data byte is read from the Rx FIFO since these 'error' conditions are attached to the byte that has the error

The overrun error occurs when the Rx FIFO is full, the receiver shift register is full, and another start bit is detected. At this moment the receiver has 257 valid characters and the start bit of the 258th has been seen. At this point the host has approximately 6/16 bit time to read a byte from the Rx FIFO or the overrun condition will be set. The 258th character then overruns the 257th and the 258th the 259th and so on until an open position in the Rx FIFO is seen. ('seen' meaning at least one byte was read from the Rx FIFO.)

Overrun is cleared by a use of the 'error reset' command in the command register.

The fundamental meaning of the **overrun** is that data has been lost. Data in the Rx FIFO remains valid. The receiver will begin placing characters in the Rx FIFO as soon as a position becomes vacant.

NOTE: Precaution must be taken when reading an overrun FIFO. There will be 256th valid characters in the receiver FIFO. There will be one character in the receiver shift register. However it will NOT be known if more than one 'over-running' character has been received since the overrun bit was set. The 257th character received and read as valid but it will not be known how many characters were lost between the two characters of the 256th and 257th reads of the Rx FIFO. In the 8-bit mode, the numbers 8 and 9 replace the numbers 256 and 257 above.

The 'Change of break' means that either a break has been detected or that the break condition has been cleared. This bit is available in the ISR. The break change bit being set in the ISR and the received break bit being set in the SR will signal the beginning of a break. At the termination of the break condition only the change of break in the ISR will be set. After the break condition is detected the termination of the break will only be recognized when the RxD input has returned to the high state for **two** successive edges of the 1x clock; 1/2 to 1 bit time. (see above)

The receiver is disabled by reset or via CR commands. A disabled receiver will not interrupt the host CPU under any circumstance in the **normal** mode of operation. If the receiver is in the multi-drop or special mode, it will be partially enabled and thus may cause an interrupt. Refer to section on Wake-Up and the register description for MR1 for more information.

Receiver FIFO

The receiver buffer memory is a 256 byte FIFO with three status bits appended to each data byte. (The FIFO is then 256 11-bit 'words'). The receiver state machine gathers the bits from the receiver shift register and the status bits from the receiver logic and writes the assembled byte and status bits to the Rx FIFO shortly after the stop bit has been sampled. Logic associated with the FIFO encodes the number of filled positions for presentation to the interrupt arbitration system. The encoding is always the number of filled positions. Thus, a full Rx FIFO will bid with the value of 255 and the Status Register Rx FULL bit is set. When empty it will not bid at all. One position occupied bids with the value 1. An empty FIFO will not bid since no character is available.

Normally Rx FIFO will present a bid to the arbitration system whenever it has one or more filled positions. The bits of the Rx FIFO Interrupt Offset Level (RxFIL) or the bits of the MR2(3:2) allow the user to modify this characteristic so that bidding will not start until one of four levels (one or more filled, 64 filled, 192 filled, full) have been reached. As will be shown later this feature may be used to make slight improvements in the interrupt service efficiency. A similar system exists in the transmitter.

Rx FIFO Status Bits. Status reporting modes

This description applies to the upper three bits in the 'Status Register'. These three bits are not 'in the status register'; they are part of the Rx FIFO. The three status bits at the output of the Rx FIFO are presented as the upper three bits of the status register included in each UART.

The error status of a character, as reported by a read of the SR (status register upper three bits) can be provided in two ways, as programmed by the error mode control bit in the mode register: 'Character mode' or the 'Block Mode'. The block mode may be further modified (via a CR command) to set the status bits as the characters enter the FIFO or as they are read from the FIFO.

In the 'character' mode, status is provided on a character by character basis as the characters are read from the Rx FIFO: the 'status' applies only to the character at the output of the Rx FIFO—The next character to be read.

Dual UART

SC28L202

In the 'block' mode (on entry) the status provided in the SR for these three bits is the logical OR of the status for all characters coming to the input of the Rx FIFO since the last reset error command was issued. In this mode each of the status bits stored in the Rx FIFO are passed through a latch as they are sequentially written to the receiver FIFO. If any of the characters has an error bit set that latch will set and remain set until it is reset with a 'receiver reset' issued from the command register or a chip reset is issued. The purpose of this mode is indicating an error in the data block as opposed to an error in a character. This mode improves receiver service efficiency. In modern systems with low error rates, it is more efficient to ask for retransmit of a block error data than to analyze it on a byte by byte system.

The above paragraph describes the block mode activity as the data is entered to the Rx FIFO. Normally the status would be read only once—at the beginning of the service to the receiver interrupt. If an error is not set then the entire amount of data in the Rx FIFO would be read without any more reading if the receiver status. This effectively doubles the efficiency of reading the receiver Rx FIFO.

The use of the block mode on Exit passes the data and error conditions as the Rx FIFO is read. Here the final read of the status register would be after the last byte was read from the Rx FIFO. This delays the knowledge of an error condition until after the data has been read.

The latch used in the block mode to indicate 'problem data' is usually set as the characters are read out of the Rx FIFO. Via a command in the CR the latch may be configured to set as error characters are loaded to the Rx FIFO. This gives the advantage of indicating 'problem data' up to 256 (or the FIFO size) characters earlier.

In either mode, reading the SR does not affect the Rx FIFO. The Rx FIFO address is advanced only when the Rx FIFO is read. Therefore, the SR should be read prior to reading the corresponding data character.

If the Rx FIFO is full when a new character is received, the character is held in the receiver shift register until a position is available in the Rx FIFO. At this time there are 257 valid characters in the Rx FIFO. If an additional character is received while this state exists, the contents of the Rx FIFO are not affected: the character previously in the shift register is lost and the overrun error status bit, SR [4], will be set upon receipt of the start bit of the new (overrunning) character.

Wake Up Mode (Also the '9-bit', 'multi-drop', 'party; line' or Special mode)

The SC28L202 provides four modes of this common asynchronous 'party line' protocol where the parity bit is used to indicate that a byte is address data or information data. Three automatic modes and the default Host operated mode are provided. The automatic mode has several sub modes (see below). In the full automatic the internal state machine devoted to this function will handle all operations associated with address recognition, data handling, receiver enables and disables. In both modes the meaning of the parity bit is changed. It is often referred to as the A/D bit or the address/data bit—sometimes the '9th' bit. It is used to indicate whether the byte presently in the receiver shift register is an 'address' byte or a 'data' byte. A '1' usually means address, a '0' data.

Its purpose is to allow several receivers connected to the same data source to be individually addressed. Of course addressing could be by group also. Normally the 'Master' would send an address byte to all receivers 'listening'. The remote receiver will be 'looking' at the data stream for its address. Upon recognition of its address it will

enable itself to receive the following data stream. Upon receipt of an address not its own it would then disable itself. As described below appropriate status bits are available to describe the operation. Again, for this mode an 'address byte' is a byte that has the bit in the parity position set to logical 1.

The use of the multi-drop mode usually implies a 'master and slave' configuration of the several UART stations so programmed. The software control should allow time for the slave stations to respond to the receipt of an address bit. Often a reply from the addressed station is expected to confirm the receipt of the address. Please see control the automatic features of the address recognition in MR3[1:0].

Enabling the Wake Up mode

(This mode is variously referred to as '9-bit' or 'Multi-drop'.)

This mode is selected by programming bits MR1 [4:3] (the parity bits) to '11'. The wake up feature has four modes of operation: one strictly under processor control and three automatic. These modes are controlled by bits 6, 1, 0 in the MR3 register. Bit 6 controls the loading of the address byte to the Rx FIFO and MR3[1:0] determines the sub mode as shown in the following list.

MR3[1:0] = 00 Normal Wake Up Mode (default) which is the same as previous DUARTs and is therefore controlled by the processor. The Host controls operation via interrupts it receives and commands it writes to the DUART command registers (CR).

Normal Wake up (The default configuration)

The enabling of the wake-up mode executes a partial enabling of the receiver state machine. Even though the receiver has been reset the wake up mode will over ride the disable and reset condition.

In the default (mode '00' above and the least efficient) configuration for this mode of operation, a 'master' station transmits an address character followed by data characters for the addressed 'slave' station. The slave stations, whose receivers are normally disabled (not reset), examine the received data stream. Upon recognition of its address bit (**this is the parity bit redefined to indicate the associated byte is an address byte – not the address itself**) interrupts the CPU (by setting RxRDY). The CPU (host) compares the received address to its station address and enables the receiver if it wishes to receive the subsequent data characters. Upon receipt of another address character, the CPU may disable the receiver to initiate the process again.

A transmitted character consists of a start bit; the programmed number of data bits, an address/data (A/D) bit and the programmed number of stop bits. The CPU selects the polarity of the transmitted A/D bit by programming bit MR1 [2]. MR1 [2] = 0 transmits a zero in the A/D bit position which identifies the corresponding data bits as **data**. MR1 [2] = 1 transmits a one in the A/D bit position which identifies the corresponding data bits as an **address**. The CPU should program the mode register prior to loading the corresponding data bytes into the Tx FIFO.

While in this mode, the receiver continuously looks at the received data stream, whether it is enabled or disabled. If disabled, it sets the RxRDY status bit and loads the character into the Rx FIFO if the received A/D bit is a one, but discards the received character if the received A/D bit is a zero. If the receiver is enabled, all received characters are transferred to the CPU via the Rx FIFO. In either case when the address character is recognized the data bits are loaded into the data FIFO while the A/D bit is loaded into the status FIFO position normally used for parity error (SR [5]). Framing error, overrun error, and break detect operate normally whether or not the receiver is enabled. When the automatic modes are in operation the loading of the address character to the FIFO is controlled by the MR0 (6) bit.

Dual UART

SC28L202

The several automatic controls. These modes are concerned with the recognition of the **address character** itself

- MR3 [1:0] = 01 Auto wake. Enable receiver on address recognition for this station. Upon recognition of its assigned address the local receiver will be enabled by the character recognition state machine and normal receiver communications with the host will be established.
- MR3 [1:0] = 10 Auto Doze. Disable receiver on address recognition, not for this station. Upon recognition of an address character that is not its own, in the Auto Doze mode, the receiver will be disabled by the character recognition state machine and the address just received either discarded or loaded to the RxFIFO depending on the programming of MR0 [6].
- MR3 [1:0] = 11 Auto wake and doze. Both modes described above. The programming of MR3 [1:0] to 11 will enable both the auto wake and auto doze features.

The enabling of the wake-up mode executes a partial enabling of the receiver state machine. Even though the receiver has been reset the wake up mode will over ride the disable and reset conditions.

Receiver Reset and Disable

Receiver disable stops the receiver immediately – data being assembled in the receiver shift register is lost. Data and status in the FIFO is preserved and may be read. A re-enable of the receiver after a disable will cause the receiver to begin assembling characters at the next start bit detected.

Receiver reset will discard the present shift register data, reset the receiver ready bit (RxDY), clear the status of the byte at the top of the FIFO and re-align the FIFO read/write pointers. This effectively 'clears' the receiver FIFO although the FIFO data is not altered.

Receiver Watchdog Timer

A 'watchdog timer' is associated with each receiver. Its interrupt is enabled by the 'watchdog' bits of the 'Watch Dog, Character Address, and X enable' register (WCXER). The purpose of this timer is to alert the control processor that characters are in the RxFIFO which have not been read and/or the data stream has stopped. This situation may occur at the end of a transmission when the last few characters received are not sufficient to cause an interrupt. This counter times out after 64 bit times. It is reset each time a read of the RxFIFO is executed.

Receiver Time-out Mode

In addition to the watch dog timer described in the receiver section, the counter/timer may be used for a similar function. Its programmability, of course, allows much greater precision of timeout intervals.

The time-out mode uses the received data stream to control the counter. Each time a received character is transferred from the shift register to the RxFIFO, the counter is restarted. If a new character is not received before the counter reaches zero count, the counter ready bit is set, and an interrupt can be generated. This mode can be used to indicate when data has been left in the RxFIFO for more than the programmed time limit. Otherwise, if the receiver has been programmed to interrupt the CPU when the receive FIFO is full, and the message ends before the FIFO is full, the CPU may not know there is data left in the FIFO. The CTPU and CTPL value would be programmed for just over one character time, so that the CPU would be interrupted as soon as it has stopped receiving continuous data.

This mode can also be used to indicate when the serial line has been marking for longer than the programmed time limit. In this case, the CPU has read all of the characters from the FIFO, but the last character received has started the count. If there is no new data during the programmed time interval, the counter ready bit will get set, and an interrupt can be generated.

Writing the appropriate command to the command register enables the time-out mode. Writing an 'Ax' to CR A or CR B will invoke the time-out mode for that channel. Writing a 0xCx to CR A or CR B will disable the time-out mode. CTPU and CTPL should be loaded with a count-down value that, with the selected clock, will generate a time period greater than the normal receive character period. The time-out mode disables the regular START/STOP Counter commands and puts the C/T into counter mode under the control of the received data stream. Each time a received character is transferred from the shift register to the RxFIFO, the C/T is stopped after 1 C/T clock, reloaded with the value in CTPU and CTPL and then restarted on the next C/T clock. If the C/T is allowed to end the count before a new character has been received, the counter ready bit, ISR [3], will be set. If IMR [3] is set, interrupt arbitration for the C/T will begin. Invoking the 'Set Time-out Mode On' command, CRx = 'Ax', clears the counter ready bit and stop the counter until the next character is received.

Exiting the time mode will clear the counter ready bit.

Arbitrating Interrupt Structure

(NOTE: The advantages and intelligence of this system may be completely defeated by merely setting the arbitration value in the ICR to 0x00 and not using the CIR. One would then rely on traditional interrupt service by searching and testing various status registers on the assertion of the IRQN.)

The interrupt system determines when an interrupt should be asserted through an arbitration (or bidding) system. This arbitration is exercised over the several systems within the DUART that may generate an interrupt. These will be referred to as 'interrupt sources'. There are 18 in all and may of those have several sub-levels. In general the arbitration is based on the fill level of the receiver FIFO or the empty level of the transmitter FIFO. The FIFO levels are encoded into an 8-bit number, which is concatenated to the channel number and source identification code. All of this is compared (via the bidding or arbitration process) to a user defined 'threshold'. Whenever a source exceeds the numerical value of the threshold the interrupt will be generated.

Interrupt sources that do not have a FIFO are each provided with a 'programmable field' that will determine their importance in the arbitration and type identification process. (See Table 1 below)

At the time of interrupt acknowledge (IACKN) the source which has the highest bid (not necessarily the source that caused the interrupt to be generated) will be captured in a 'Current Interrupt Register' (CIR). This register will contain the complete definition of the interrupting source: channel, types of interrupt (receiver, transmitter, change of state, etc.) and FIFO fill level. The value of the bits in the CIR are used to drive the interrupt vector and global registers such that controlling processor may be steered directly to the proper service routine. A single read operation to the CIR provides all the information needed to qualify and quantify the most common interrupt sources.

Dual UART

SC28L202

The interrupt sources for each channel are listed below.

- Receiver without error
- Receiver with error for each channel
- Receiver Watch Dog Time-out Event
- Transmitter
- Change in break received status per channel
- Rx loop back error
- Change of state on channel input pins
- Xon/Xoff character recognition
- Counter-Timer
- Address character recognition
- No interrupt active (very useful in polled service and as a test value to terminate interrupt service)

Transmit FIFO empty level and Receiver FIFO fill levels are unique for each channel and may be set at any level.

Associated with the interrupt system are the interrupt mask register (IMR) and the interrupt status register (ISR) resident in each UART. Programming of the IMR selects which of the above sources may enter the arbitration process. The IMR enables the interrupt. Only the bidders in the ISR whose associated bit in the IMR is set to one (1) will be permitted to enter the arbitration process. The ISR can be read by the host CPU to determine all currently active interrupting conditions. For convenience of reading the ISR the MR1 (6) bit, when set, allows the reading of the ISR masked by the bits of the IMR.

Enabling and Activating Interrupt sources

An interrupt source becomes enabled when writing a one to the proper Interrupt Mask Register bit (IMR) activates its interrupt capability. An interrupt source can never generate an IRQN or have its 'bid' or interrupt number appear in the CIR unless the source has been enabled by the appropriate bit in an IMR.

An interrupt source is active if it is presenting its bid to the interrupt arbiter for evaluation. Most sources have simple activation requirements. The watch-dog timer, break received, Xon/Xoff or Address Recognition and change of state interrupts become active when the associated events occur and the arbitration value generated thereby exceeds the threshold value programmed in the ICR (Interrupt Control Register).

The transmitter and receiver functions have additional controls to modify the condition upon which the initiation of interrupt 'bidding' begins: the TxINT and RxINT fields of the MR0 and MR2 registers. These fields can be used to start bidding or arbitration when the RxFIFO is not empty, 50% full, 75% full or 100% full. For the transmitter it is not full, 50% empty, 75% empty and empty.

Example: To increase the probability of transferring the contents of a nearly full RxFIFO, do not allow it to start bidding until 50% or 75%

full. This will prevent its relatively high priority from winning the arbitration process at low fill levels. A high threshold level could accomplish the same thing, but may also mask out low priority interrupt sources that must be serviced. Note that for fast channels and/or long interrupt latency times using this feature should be used with caution since it reduces the time the host CPU has to respond to the interrupt request before receiver overrun occurs.

Setting interrupt priorities

The bid or interrupt number presented to the interrupt arbiter is composed of character counts, channel codes, fixed and programmable bit fields. The interrupt values are generated for various interrupt sources as shown in Table 1. The value represented by the bits 11 to 4 in Table 1 are compared against the value represented by the 'Threshold'. The 'Threshold', bits 10 to 0 of the ICR (Interrupt Control Register), is aligned such that bit 0 of the threshold is compared to bit 1 of the interrupt value generated by any of the sources. Whenever the value of the interrupt source is greater than the threshold the interrupt will be generated.

The channel number arbitrates only against other channels. The threshold is not used for the channel arbitration. This results in channel B having the highest arbitration number. The decreasing order is B to A. If all other parts of an arbitration cycle are equal then the channel number will determine which channel will dominate in the arbitration process.

Note several characteristics of Table 1 in bits 4:1. These bits contain the identification of the bidding source as indicated below:

- x001 Receiver without error
- x101 Receiver with error (errors are: parity, framing and overrun. Break is not considered an error.
- x100 Receiver Watch Dog
- x010 Transmitter
- 1110 Change of Break
- 1111 Rx Loop Back Error
- 0110 Change of State on I/O Ports
- 0111 Xon/Xoff Event
- 1000 Counter timer
- 1011 Address Recognition
- 0000 No interrupt source active

The codes from bits 4:1 drive part of the interrupt vector modification and the Global Interrupt Type Register. The codes are unique to each source type and identify them completely. The channel numbering progresses from 'A' to 'B' as the binary numbers 0 to 1 and identify the interrupting channel uniquely. As the channels arbitrate 'B' will have the highest bidding value and 'A' the lowest.

Dual UART

SC28L202

Table 1. Interrupt Values

Type	Bit 11:4	Bit 3	Bit 2	Bit 1	Bit 0	
Receiver w/o error	RxFIFO filled Byte Count	0	0	1	Channel No.	
Receiver w/ error	RxFIFO filled Byte Count	1	0	1	Channel No.	
Receiver Watch-dog	RxFIFO filled Byte Count	1	0	0	Channel No.	
Transmitter	TxFIFO empty Byte Count	0	1	0	Channel No.	
Change of Break	Programmed Field	1	1	1	0	Channel No.
Rx Loop Back Error	Programmed Field	1	1	1	1	Channel No.
Change of State	Programmed Field	0	1	1	0	Port 0 or 1
Xon/Xoff	Programmed Field	0	1	1	1	Channel No.
Counter timer	Programmed Field	1	0	0	0	Counter 0 or 1
Address Recognition	Programmed Field	1	0	1	1	Channel No.
No interrupt	0	0	0	0	0	
Threshold	Bits 7:0 of Interrupt Control Register (ICR)	0	0	0	0	0

Interrupt Arbitration and IRQN generation

Interrupt arbitration is the process used to determine that an interrupt request should be presented to the host. The arbitration is carried out between the 'Interrupt Threshold' and the 'sources' whose interrupt bidding is enabled by the IMR. The interrupt threshold is part of the ICR (Interrupt Control Register) and is a value programmed by the user. The 'sources' present a value to the interrupt arbiter. That value is derived from four fields: the channel number, type of interrupts source, FIFO fill level, and a programmable value. The interrupt request (IRQN) will be asserted only when one or more of these values exceeds the threshold value in the interrupt control register will.

Following assertion of the IRQN the host will either assert IACKN (Interrupt Acknowledge) or will use the command to 'Update the CIR'. At the time either action is taken the CIR will capture the value of the source that is prevailing in the arbitration process. (Call this value the winning bid).

The Sclk drives the arbitration process. It evaluates the 12 bits of the arbitration bus at 1/2 the Sclk rate developing a value for the CIR every two Sclk cycles. New arbitration values presented to the arbitration block during an arbitration cycle will be evaluated in the next arbitration cycle.

For sources other than receiver and transmitters the user may set the high order bits of an interrupt source's bid value, thus tailoring the relative priority of the interrupt sources. The fill level of their respective FIFOs controls the priority of the receivers and transmitters. The more filled spaces in the RxFIFO the higher the bid value; the more empty spaces in the TxFIFO the higher its priority. Channels whose programmable high order bits are set will be given interrupt priority higher than those with zeros in their high order bits, thus allowing increased flexibility. The transmitter and receiver bid values contain the character counts of the associated FIFOs as high order bits in the bid value. Thus, as a receiver's RxFIFO fills, it bids with a progressively higher priority for interrupt service. Similarly, as empty space in a transmitter's TxFIFO increases, its interrupt arbitration priority increases.

The programmable fields allow the software to adjust the authority or value of the bid for those devices not having a FIFO.

For example: The break condition is sometimes used to signal a starting point in a continuous stream of data. A Continuous running

weather report or stock market 'ticker-tape' report needs breaks in the data so that a receiver knows where the data starts. Once start of the break is detected it is important to reset the 'change of break' interrupt so that this bit can signal the condition of the break ending. This is signaled by the 'L202 the setting another change of break event in the ISR. Since it is assumed the data will be starting very soon after the end of break it is important to give the change of break condition a high priority. This may be accomplished by setting the arbitration value for the 'change of break' to a high value. The value in the 'change of break programmable field' in Table 1 would be 0x7F.

IACKN Cycle, Update CIR

When the host CPU responds to the interrupt, it will usually assert the IACKN signal low. This will cause the DUART to generate an IACKN cycle in which the condition of the interrupting device is determined. When IACKN asserts, the last valid interrupt number is captured in the CIR. The value captured presents most of the important details of the highest priority interrupt at the moment the IACKN (or the 'Update CIR' command) was asserted.

The Dual UART will respond to the IACKN cycle with an interrupt vector. The interrupt vector may be a fixed value, the content of the Interrupt Vector Register, or when 'Interrupt Vector Modification' is enabled via ICR, it may contain codes for the interrupt type and/or interrupting channel. This allows the interrupt vector to steer the interrupt service **directly** to the proper service routine. The interrupt value captured in the CIR remains until another IACKN cycle occurs or until an 'Update CIR' command is given to the DUART. The interrupting channel and interrupt type fields of the CIR set the current 'interrupt context' of the DUART. The channel component of the interrupt context allows the use of Global Interrupt Information registers that appear at fixed positions in the register address map. For example, a read of the Global RxFIFO will read the channel B RxFIFO if the CIR interrupt context is channel B receiver. At another time read of the GRxFIFO may read the channel A RxFIFO (CIR holds a channel A receiver interrupt) and so on. Global registers exist to facilitate qualifying the interrupt parameters and for writing to and reading from FIFOs without explicitly addressing them.

The CIR will load with x'00 if IACKN or Update CIR is asserted when the arbitration circuit is NOT asserting an interrupt. In this condition there is no arbitration value that exceeds the threshold value. When Interrupt vector modification is active in this situation the interrupt vector bits associated with the CIR will all be zero.

Dual UART

SC28L202

Global Registers

The 'Global Registers', 10 in all, are driven by the interrupt system. They are defined by the content of the CIR (Current Interrupt Register) as a result of an interrupt arbitration. In other words they are indirect registers pointed to by the content of the CIR. The list of global register follows:

- GIBCR The byte count of the interrupting FIFO
- GICR Channel number of the interrupting channel
- GITR Type identification of interrupting channel
- GRxFIFO Pointer to the interrupting receiver FIFO
- GTxFIFO Pointer to the interrupting transmitter FIFO

A read of the GRxFIFO will give the content of the RxFIFO that presently has the highest bid value. The purpose of this system is to enhance the efficiency of the interrupt system. The global registers and the CIR update procedure are further described in the Interrupt Arbitration system

Polling, (Normal and using the CIR)

The 'arbitrating interrupt system' will reduce the polling overhead to only two bus cycles. It only requires an update CIR command and a CIR read to find if service is needed, and if needed to show what needs to be serviced.

Many users prefer polled to interrupt driven service where there are not a large number of fast data channels and/or the host CPU's other interrupt overhead is low. The Dual UART is functional in this environment.

The most efficient method of polling is the use of the 'update CIR' command (with the interrupt threshold set to zero) followed by a read of the CIR. This dummy write cycle will perform the same CIR capture function that an IACKN falling edge would accomplish in an interrupt driven system. A subsequent read of the CIR, at the same address, will give information about an interrupt, if any. If the CIR type field contains 0s, no interrupt is awaiting service. If the value is non-zero, the fields of the CIR may be decoded for type; channel and character count information. Optionally, the global interrupt registers may be read for particular information about the interrupt status or use of the global RxD and TxD registers for data transfer as appropriate. The interrupt context will remain in the CIR until another update CIR command or an IACKN cycle is initiated by the host CPU occurs. The CIR loads with x'00 if Update CIR is asserted when the arbitration circuit has NOT detected an arbitration value that exceeds the threshold value of the ICR. The global registers and CIR may be used as 'vectors' to the service type required.

Traditional methods of polling status registers may also be used. Their lower efficiency may be greatly offset by use of the UCIR command and the read of the CIR. They reduce the many reads and tests of status registers to only one read and one write. This would normally be accomplished by setting the interrupt threshold to zero. Then the moment any system within the DUART needs service the next poll of the CIR would return a non zero value and the type field will inform the processor which of the possible 18 systems needs service. In the case of the FIFOs the number of bytes to be written or read is also available.

Character and Address Recognition**(Also used for Multi-drop, Xon/Xoff systems)**

Character recognition is specific to each of the two UARTs. Three programmable characters are provided for the character recognition for each channel. The three are general purpose in nature and may be set to only cause an interrupt or to initiate some rather complex

operations specific to 'Multi-drop' address recognition or in-band Xon/Xoff flow control.

Character recognition system continually examines the incoming data stream. Upon the recognition of a character bits appropriate for the character recognized are set in the Xon/Xoff Interrupt Status Register (XISR) and in the Interrupt Status Register (ISR). The setting of these bit(s) will initiate any of the automatic sequences or and/or an interrupt that may have enabled via the MR3 register.

NOTE: Reading the XISR Clears the status bits associated with the recognition.

The characters of the recognition system are fully programmable. The Xon/Xoff characters will be set to the standard characters if the hardware or software reset is used.

The character recognition circuits are basically designed to provide general-purpose character recognition. Additional control logic has been added to allow for Xon/Xoff flow control and for recognition of the address character in the multi-drop or 'wake-up' mode. This logic also allows for the generation of interrupts in either the general-purpose recognition mode or the specific conditions mentioned above.

The generality of the above provides a modicum of compatibility to BOP (Bit Oriented Protocol) where the generation and detection of 'flags' is required. Parts of usually synchronous BOP protocols (HDLC in particular) are beginning to show up in asynchronous formats.

Character Stripping

The MR0[7:6] register provides for stripping the characters used for character recognition. Recall that the character recognition may be conditioned to control several aspects of the communication. However this system is first a character recognition system. The status of the various states of this system is reported in the XISR and ISR registers. The character stripping of this system allows for the removal of the specified control characters from the data stream: two for the Xon /Xoff and one for the wake up. Via control in the MR0[7:6] register these characters may be discarded (stripped) from the data stream when the recognition system 'sees' them or they may be sent on the RxFIFO. Whether they are stripped or not the recognition system will process them according to the action requested; flow control, wake up, interrupt generation, etc. Care should be exercised in programming the stripping option if noisy environments are encountered. If a normal character were corrupted to a Xoff character the transmitter would be stopped. If that character were now stripped from the FIFO stack, then that stripping action would make it difficult to determine the cause of transmitter stopping.

When character stripping is invoked and a recognition character is received that has **an error bit set** that character is sent to the RxFIFO even though character stripping is active.

Flow Control (Xon/Xoff)

This section describes in-band flow control or Xon/Xoff signaling. For the RTS/CTS hardware (out-of-band) control see MR1(7) and MR2(4) descriptions.

The flow control is accomplished via the character recognition system giving recognition information to the flow control processor. Xon and Xoff are special characters used by a receiver to start and stop the remote transmitter that is sending it data. As described below several modes of manual and automatic flow control are available by program control.

Dual UART

SC28L202

The modes of control are described in MR3[3:2]

- 00 = Host mode
- 01 = Auto transmit
- 10 = Auto Receive
- 11 = Auto receive and transmit

Mode control

Xon/Xoff mode control is accomplished via the MR3[3:2].

- 00 Xon/Xoff processing disabled. The host will control Rx, Tx.
- 01 Auto Tx control. Tx is stopped/started when Xoff/Xon is received.
- 10 Auto Rx control. Receiver commands Tx to send Xoff at trigger level.
- 11 Auto Rx and Tx control. Receiver commands Tx to send Xoff as the receiver fills and commands the Tx to send Xon when Rx FIFO fill level is lowered. This results in total automatic control. No processor interrupt is required.

Note that MR3[7] controls the stripping of Xoff/Xon characters.

- 0 Xon/Xoff characters are sent to the Rx FIFO
- 1 Xon/Xoff characters are discarded.

The MR3[7] functions regardless of the setting of MR3[3:2]. This allows for general purpose character recognition and processing. (See 'Character Stripping'.)

Xon Xoff Characters

The programming of these characters is usually done individually. The standard Xon/Xoff characters are . Xon is 0x11, Xoff 0x13. Any enabling of the Xon/Xoff functions will use the contents of the Xon and Xoff character registers as the basis on which recognition is predicated.

Host mode

When neither the auto-receiver or auto-transmitter modes are set, the Xon/Xoff logic is operating in the host mode. In host mode, all activity of the Xon/Xoff logic is initiated by commands to the CRx. The Xoff command forces the transmitter to disable exactly as though a Xoff character had been received by the Rx FIFO. The transmitter will remain disabled until the chip is reset or the CR (7:3) = 10110 (Xoff resume) command is given. In particular, reception of a Xon or disabling or re-enabling the transmitter will **NOT** cause resumption of transmission. Redundant CRTXxx commands, i.e. CRTXon, CRTXon, are harmless, although they waste time. A CRTXon may be used to cancel a CRTXoff (and vice versa) but both may be transmitted depending on the command timing with respect to that of the transmitter state machine.

Auto-transmitter mode

When a channel receiver loads a Xoff character into the Rx FIFO, the channel transmitter will finish transmission of the current character and then stop transmitting. A transmitter so idled can be restarted by the receipt of a Xon character by the receiver or by a hardware or software reset. The last option results in the loss of the untransmitted contents of the Tx FIFO. When operating in this mode the Command Register commands for the transmitter are not effective.

While idle data may be written to the Tx FIFO and it continue to present its fill level to the interrupt arbiter and maintains the integrity of its status registers.

Use of '00' as a Xon/Xoff character is complicated by the Receiver break operation which loads a '00' character on the Rx FIFO. The Xon/Xoff character detectors do not discriminate in this case from a Xon/Xoff character received through the RxD pin.

NOTE: To be recognized as a Xon or Xoff character, the receiver must have room in the Rx FIFO to accommodate the character. An Xon/Xoff character that is received resulting in a receiver overrun does not effect the transmitter nor is it loaded into the Rx FIFO, regardless of the state of the Xon/Xoff transparency bit, MR3[7].

Receiver Mode

Since the receiving FIFO resources in the Dual UART are limited, some means of controlling a remote transmitter is desirable in order to lessen the probability of receiver overrun. The Dual UART provides two methods of controlling the data flow. There is a hardware-assisted means of accomplishing control, the so-called out-of-band flow control, and an in-band flow control method.

The out-of-band flow control is implemented through the CTSN-RTSN signaling via the I/O ports. The operation of these hardware handshake signals is described in the receiver and transmitter discussions.

In-band flow control is a protocol for controlling a remote transmitter by embedding special characters within the message stream, itself. Two characters, Xon and Xoff, which do not represent normal printable character take on flow control definitions when the Xon/Xoff capability is enabled. Flow control characters received may be used to gate the channel transmitter on and off. This activity is referred to as Auto-transmitter mode. To protect the channel receiver from overrun, fixed fill levels (hardware set at 240 characters) of the Rx FIFO may be employed to automatically insert Xon/Xoff characters in the transmitter's data stream. This mode of operation is referred to as auto-receiver mode. Commands issued by the host CPU via the CR can simulate all these conditions.

Auto Receive and Transmit

This is a combination of both modes.

NOTE: Xon /Xoff characters

The Xon/Xoff character with errors will be accepted as valid. The user has the option sending or not sending these characters to the FIFO. Error bits associated with Xon/Xoff will be stored normally to the receiver FIFO.

The channel's transmitter may be programmed to automatically transmit a Xoff character without host CPU intervention when the Rx FIFO fill level exceeds a fixed limit (240). In this mode it will transmit a Xon character when the Rx FIFO level drops below a second fixed limit (16). A character from the Tx FIFO that has been loaded into the TxD shift register will continue to transmit. Character(s) in the Tx FIFO that have not been loaded to the transmitter shift register are unaffected by the Xon or Xoff transmission. They will be transmitted after the Xon/Xoff activity concludes.

If the fill level condition that initiates Xon activity negates before the flow control character can begin transmission, the transmission of the flow control character will not occur. That is, either of the following sequences may be transmitted depending on the timing of the FIFO level changes with respect to the normal character times:

Fix This

Character	Xoff	Xon	Character
Character	Character		

Hardware keeps track of Xoff characters sent that are not rescinded by a Xon. This logic is reset by writing MR3[3:2] to '00'. If the user drops out of Auto-receiver mode while the XISR shows Xoff as the

Dual UART

SC28L202

last character sent the Xon/Xoff logic would **not** automatically send the negating Xon.

The kill CRTX command (of the command register) can be used to cleanly terminate any pending CRTX commands.

NOTE: In **no** case will a Xon/Xoff character transmission be aborted. Once the character is loaded into the TX Shift Register, transmission continues until completion or a chip reset or transmitter reset is encountered. The kill CRTX command has no effect in either of the Auto modes.

Xon/Xoff Interrupts

The Xon/Xoff logic generates interrupts **only** in response to recognizing either of the characters in the XonCR or XoffCR (Xon or Xoff Character Registers). The transmitter activity initiated by the Xon/Xoff logic or any CR command does **not** generate an interrupt. The character comparators operate regardless of the value in MR3[3:2]. Hence the comparators may be used as general-purpose character detectors by setting MR3[3:2]= '00' and enabling the Xon/Xoff interrupt in the IMR.

The Dual UART can present the Xon/Xoff recognition event to the interrupt arbiter for IRQN generation. The IRQN generation may be masked by setting bit 4 of the Interrupt Mask Register, IMR. The bid level of a Xon/Xoff recognition event is controlled by the Bidding Control Register X, BCRx, of the channel. The interrupt status can be examined in ISR[4]. If cleared, no Xon/Xoff recognition event is interrupting. If set, a Xon or Xoff recognition event has been detected. The X Interrupt Status Register, XISR, can be read for details of the interrupt and to examine other, non-interrupting, status of the Xon/Xoff logic. Refer to the XISR in the Register Descriptions.

The character recognition function and the associated interrupt generation is disabled on hardware or software reset.

Multi-drop or Wake up or 9 bit mode

This mode is used to address a particular UART among a group connected to the same serial data source. Normally it is accomplished by redefining the meaning of the parity bit such that it indicates a character as address or data. While this method is fully supported in the SC28L202 it also supports recognition of the character itself. Upon recognition of its address the receiver will be enabled and data loaded onto the RxFIFO.

Further the Address recognition has the ability, if so programmed, to disable (not reset) the receiver when an address is seen that is not recognized as its own. The particular features of 'Auto Wake and Auto Doze' are described in the detail descriptions under 'Receiver Operation' above.

NOTE: Care should be taken in the programming of the character recognition registers. Programming x'00, for example, may result in a break condition being recognized as a control character. This will be further complicated when binary data is being processed.

PROGRAMMING THE HOST INTERFACE

The SC28L202 is designed for a very close compatibility with legacy software written for other Philips/Signetics 2 channel UARTs. The part will initialize to the SC28L92 function. This function is controlled in the low 16 address positions.

A reset (both hardware and software) will return the part to this mode with the control registers set for 9600 baud, 8 bits, no parity and one stop bit. Interrupt will be set for Receiver Ready and transmitter Empty. Transmitters and receivers will not be enabled. Basic operation should be obtained by a single write of 0xE0 to the command register. That will enable the receiver and transmitter.

Addressing outside of the lower 16 address spaces will enable all the advanced features. In general, before calling legacy code, advanced features should be disabled (character stripping, for example).

Writing control words into the appropriate registers programs the operation of the DUART. Operational feedback is provided via status registers that can be read by the CPU. The addressing of the registers is described in the Register Map.

The contents of certain control registers are initialized to zero on RESET. Care should be exercised if the contents of a register are changed during operation, since certain changes may cause operational problems.

For example, changing the number of bits per character while the transmitter is active may cause the transmission of an incorrect character. In general, the contents of the MR, the CSR, and the OPCR should only be changed while the receiver(s) and transmitter(s) are not enabled, and certain changes to the ACR should only be made while the C/T is stopped.

Each channel has 3 mode registers (MR0, 1, 2) which control the basic configuration of the channel. Mode, command, clock select, and status registers are duplicated for each channel to provide total independent operation and control. Refer to Table 2 for register bit descriptions.

Dual UART

SC28L202

REGISTER DESCRIPTION AND PROGRAMMING

NOTE

Programmers may use either of two register sets or mix the features of each. It is suggested that only the extended register set be used in new designs. However if a system needed to use a block of communications code written for an older system then that code could merely be called. This is similar to calling a DOS[®] program in a WINDOWS[®] environment. Before calling legacy code it is recommended (but not required) to execute 'Reset to C92' command. Also consideration must be given to the I/O pins to avoid contention of drivers of the pins and an external driver.

Two control register descriptions and maps are implemented in the SC28L92: one represents the previous 4-bit address and the other the new 7-bit address space representing the all the new features of the new design.

The Design of the SC28L202 allows for high degree with former Philips two channel communications controllers—DUARTs.

To facilitate this feature the complete register function and control of the SC26C92 is replicated in the SC28L202. That is code written for the SCN2681, SCN68681, SCC2692, SCC68692 and SC26C92 will operate with this device.

With the execution of code written for previous DUARTs and immediately after a hardware reset or a 'Reset to C92' command the following configuration will exist:

1. The size of all FIFOs is set to 8 bytes (for legacy code).
2. FIFO interrupt levels are controlled by the bits of the MR registers
3. All I/O ports are set to input.
4. Receiver FIFO set to interrupt on FIFO ready.
5. Transmitter FIFO set to interrupt on FIFO empty.
6. Baud selection follows previous 4 bit programming and baud rate grouping controlled by the MR and ACR registers.

Table 2. SC28L202 REGISTER BIT DESCRIPTIONS

Registers that control Global Properties of the 28L202

GCCR – Global Configuration Control Register

THIS IS A VERY IMPORTANT REGISTER! IT SHOULD BE THE FIRST REGISTER ADDRESSED DURING INITIALIZATION.

Hex	Bit [7:6]	Bit [5:3]	Bit [2:1]	BIT 0
Addr	DACKN Assertion	Reserved	IVC Interrupt Vector Control	ISR Read Mode
	00 = 2 – 3 Sclk 01 = 1 – 2 Sclk 10 = 1/2 – 1 Sclk 11 = Reserved	Set to 0	00 = no interrupt vector 01 = IVR[7:0] 10 = IVR[7:1] + channel code 11 = IVR[7:5] + interrupt type + channel code	0 = ISR Unmasked 1 = ISR Read Masked by IMR

GCCR(7:6) DACKN Assertion

Motorola bus cycle time can be controlled by selecting a DACKN assertion time based on X1/Sclk speed. The time programmed should not be less than the minimum read or write pulse width.

See examples below.

X1/SCLK	#SCLK Cycles	Delay
3.6864 MHz	1/2–1	136–272 ns
7.3728 MHz	1/2–1	68–136 ns
14.7456 MHz	1/2–1	34–68 ns
29.4912 MHz	1–2	34–68 ns
33.1776 MHz	2–3	60–90 ns
44.2368 MHz	2–3	46–68 ns

GCCR(5:3): Reserved

GCCR(2:1): Interrupt vector configuration

The IVC field controls if and how the assertion of IACKN (the interrupt acknowledge pin) will form the interrupt vector for the DUART. If b'00, no vector will be presented during an IACKN cycle. The bus will be driven high (0xFF). If the field contains a b'01, the contents of the IVR, Interrupt Vector Register, will be presented as the interrupt vector without modification.

If IVC = 0x10, the channel code will replace the LSB of the IVR; if IVC = b'11 then a modified interrupt type and channel code replace the 3 LSBs of the IVR. **NOTE:** The modified type field IVR[2:1] is:

- 10 Receiver w/o error
- 11 Receiver with error
- 01 Transmitter
- 00 All remaining sources

GCCR(0): Interrupt Status Masking

This bit controls the readout mode of the Interrupt Status Register, ISR. If set, the ISR reads the current status masked by the IMR, i.e. only interrupt sources enabled in the IMR can ever show a '1' in the ISR. If cleared, the ISR shows the current status of the interrupt source without regard to the Interrupt Mask setting.

Dual UART

SC28L202

SFSR A and B Special Feature & Status Register

	Bit 7	Bit 6	Bit 5	BIT 4	BIT 3	BIT 2:1	BIT 0
	Reserved	Reserved	Reserved	Reserved	Loop Back Error	Remote Loop Error Check	Reserved
					0 = No 1 = Yes (read Only)	00 = Disabled 01 = Enabled, RxC ← TxC 10 = Enabled, RxC ← TxCN	

SFSR(7:4) Reserved

SFSR(3) Status of loop back error check.

A '1' indicates a loop back error occurred, which will be entered for interrupt arbitration.

It can be cleared by the processor by a write to this register with D(3) equal to '1'.

SFSR(2:1) Certification of returned data as Valid (This feature implies the transmitted data is being returned by the remote receiver.)

Sets automatic checking of returned data. This mode stores transmitted data and compares it to data returned from the remote receiver. It is used where relative short delay times are available, up

to two characters in time . This mode will totally relieve the processor of this task where certainty of transmission and reception is required. The transmitted data is looped back by the remote station with a half-bit time delay. The local transmitted data is internally sent to the local receiver for comparison. An interrupt is generated in the case of an error (data mismatch, parity or framing).

00 = The checking is disabled

01 = Return data is clocked in on rise of TxC

10 = Return data is clocked on of rise of TxCN

00 = Reserved

SFSR(0) Reserved

TRR Test and Revision Register.

TRR	Bit 7	Bit 6:0
	Test 2	Revision Code

TRR[7] Test 2 Enable

Bypass divide by 16 counter in all TxC and RxC.

TRR[6:0] – Chip Revision Code

Indicates the revision of the chip. Initial code will be **0000000**. The revision code bits [6:0] are hard wired. The default setting of the test bits is all zero.

STCR – Scan Test Control Register.

Addr	BIT 7	BIT 6	BIT 5	BIT 4	BIT 3	BIT 2	BIT 1	BIT 0
77						Memory Test	Scan Test	Iddq Test

STCR(0) Iddq Test – Turns off all pull-up devices on the I/O pins.

SES – System Enable Status Register, A and B

	Bit 7	Bit 6	Bit 5	Bit 4	Bit 3	Bit 2	Bit 1	Bit 0
	Reserved	Reserved	Transmitter Enabled	Receiver Enabled	Watch Dog Timer	Address Recognition	Xon	Xoff
	Set to 0	Set to 0	0 = No 1 = Yes	0 = No 1 = Yes	0 = No 1 = Yes	0 = No 1 = Yes	0 = No 1 = Yes	0 = No 1 = Yes

This register reports the enabled status of the several sub systems in the DUART. These systems are sometimes controlled by the state machines of the receiver FIFOs.

EOS – Enhanced Operation Status Register

	Bit 7	Bit 6	Bit 5	Bit 4	Bit 3	Bit 2	Bit 1	Bit 0
	Reserved	I/O Port Operation	Reserved	Counter/Timer 0 Clock Select	Channel B Rx/Tx Clock Selection	Channel A Rx/Tx Clock Selection	Channel B FIFO Interrupt Level Control	Channel A FIFO Interrupt Level Control
		0 = Default 1 = Enhanced		0 = Default 1 = Enhanced	0 = Default 1 = Enhanced	0 = Default 1 = Enhanced	0 = Default 1 = Enhanced	0 = Default 1 = Enhanced

This register reports the status of the Enhanced operation in several sub systems in the DUART.

Dual UART

SC28L202

UART Registers

These registers are generally concerned with formatting, transmitting and receiving data.

The user must exercise caution when changing the mode of running receivers, transmitters, PBRG or counter/timers. The selected mode will be activated immediately upon selection, even if this occurs during the reception or transmission of a character. It is also possible to disrupt internal controllers by changing modes at critical

times, thus rendering later transmission or reception faulty or impossible.

An exception to this policy is switching from auto-echo or remote loop back modes to normal mode. If the deselection occurs just after the receiver has sampled the stop bit (in most cases indicated by the assertion of the channel's RxRDY bit) and the transmitter is enabled, the transmitter will remain in auto-echo mode until the end of the transmission of the stop bit.

MR0 – Mode Register 0, A and B

MR0 can be accessed directly at H'20' and H'28' in the Extended section of the address map, or by means of the 'MR Pointers' at the 0x00 and 0x08 address pointers used by legacy code.

		Bit 7	BIT 6	BIT (5:4)	BIT 3	BIT 2	BIT 1	BIT 0
	MR0 A, MR0 B, and MR0 B[3:0] are reserved	Rx Watchdog * 0 = Disable 1 = Enable	RxINT BIT 2 See Tables in MR0 description	TxINT (1:0) See Table 13	FIFO Size 0 = 8 bytes 1 = 256 bytes	BAUD RATE EXTENDED II 0 = Normal 1 = Extend II	Reserved Set to 0	BAUD RATE EXTENDED I 0 = Normal 1 = Extend

*This bit control is duplicated at WCXER[7:6], the Watch Dog, Character, Address and X Enable Register.

MR0[7] Fixed length Watchdog Timer

This bit controls the receiver watchdog timer. 0 = disable, 1 = enable. When enabled, the watch dog timer will generate a receiver interrupt if the receiver FIFO has not been accessed within 64 bit times of the receiver 1X clock. This is used to alert the control processor that data is in the Rx FIFO that has not been read. This situation may occur when the byte count of the last part of a message is not large enough to generate an interrupt.

MR0[6] – Bit 2 of receiver FIFO interrupt level. This bit along with Bit 6 of MR1 sets the fill level of the 8 byte FIFO that generates the receiver interrupt.

MR0[6] and MR1[6] Note that this control is split between MR0 and MR1. This is for backward compatibility to the SC2692 and SCN2681.

Table 3. Receiver FIFO Interrupt Fill Level MR0(3)=0

MR0[6] MR1[6]	Interrupt Condition
00	1 or more bytes in FIFO (RxRDY)
01	3 or more bytes in FIFO
10	6 or more bytes in FIFO
11	8 bytes in FIFO (Rx FULL)

Table 4. Receiver FIFO Interrupt Fill Level MR0(3)=1

MR0[6] MR1[6]	Interrupt Condition
00	1 or more bytes in FIFO (RxRDY)
01	128 or more bytes in FIFO
10	192 or more bytes in FIFO
11	256 bytes in FIFO (Rx FULL)

For the receiver these bits control the number of FIFO positions filled when the receiver will attempt to interrupt. After the reset the receiver FIFO is empty. The default setting of these bits cause the receiver to attempt to interrupt when it has one or more bytes in it.

MR0[5:4] – Tx interrupt fill level.

Table 5. Transmitter FIFO Interrupt Fill Level MR0(3)=0

MR0[5:4]	Interrupt Condition
00	8 bytes empty (Tx EMPTY)
01	4 or more bytes empty
10	6 or more bytes empty
11	1 or more bytes empty (TxRDY)

Table 6. Transmitter FIFO Interrupt Fill Level MR0(3)=0

MR0[5:4]	Interrupt Condition
00	256 bytes empty (Tx EMPTY)
01	128 or more bytes empty
10	192 or more bytes empty
11	1 or more bytes empty (TxRDY)

For the transmitter these bits control the number of FIFO positions empty when the receiver will attempt to interrupt. After the reset the transmit FIFO has 8 bytes empty. It will then attempt to interrupt as soon as the transmitter is enabled. The default setting of the MR0 bits (00) condition the transmitter to attempt to interrupt only when it is completely empty. As soon as one byte is loaded, it is no longer empty and hence will withdraw its interrupt request.

MR0[3] – FIFO Size

Selects between 8 or 256 byte FIFO structure

MR0[2:0] – Legacy Baud Rate Group Selection

These bits are used to select one of the six-baud rate groups.

See Table 13 for the group organization.

- 000 Normal mode
- 001 Extended mode I
- 100 Extended mode II

Other combinations of MR2[2:0] should not be used

NOTE: MR0[3:0] are not used in channel B and should be set to 0.

Dual UART

SC28L202

MR1 – Mode Register 1, A and B

MR1 can be accessed directly at H'21' and H'29' in the Extended section of the address map, or by means of the 'MR Pointers' at the 0x00 and 0x08 address pointers used by legacy code.

Bit 7	Bit 6	Bit 5	Bit 4:3	Bit 2	Bit 1:0
RxRTS Control	See Tables in MR0 description	Error Mode	Parity Mode	Parity Type	Bits per Character
0 = off 1 = on		0 = Character 1 = Block (entry or exit)	00 = With Parity 01 = Force parity 10 = No parity 11 = Multi drop Special Mode	0 = Even 1 = Odd	00 = 5 01 = 6 10 = 7 11 = 8

MR1[7] – Receiver Request to Send (hardware flow control)

This bit controls the deactivation of the RTSN output (I/O2) by the receiver. The I/O2 output is asserted and negated by commands applied via the command register or through the setting of the OPR register bits. MR1[7] = 1 enables the receiver state machine to controls the state of the I/O2 (where the RTSN function is assigned) to be automatically negated (driven high) upon receipt of a valid start bit if the receiver FIFO is 240 full or greater. (for 8-byte mode the FIFO full signal is used) RTSN is reasserted when the FIFO fill level falls below 240 filled FIFO positions. This constitutes a change from previous members of Philips (Signets) UART families where the RTSN function triggered on FIFO full. This behavior caused problems with PC UARTs that could not stop transmission at the proper time.

NOTE: When the FIFO is set to an 8-byte depth the RTSN signaling is triggered on position 8 of the FIFO

The RTSN feature can be used to prevent overrun in the receiver, by using the RTSN output signal, to control the CTSN (see MR2(4) description) input of the transmitting device. It is not recommend to use the hardware flow control and the 'in-band' (Xon/Xoff) flow control at the same time although the DUART hardware will allow it.

To use the RTSN function:

1. Set MR1(7) to 1
2. Set I/O0 B or I/O1 B as appropriate to logical 0
3. Enable receiver

MR1[6] – Receiver interrupt control bit 1.

See description under MR0 [6]. (Writing to this register will reset the RxFIFO interrupt to the bit configuration of MR0 and MR1. Reading has no effect.)

*** change in MR in legacy section – at MR0 also***

MR1 [5] – Error Mode Select and sub modes

This bit selects the operating mode of the three FIFOed status bits (FE, PE, and received break). In the character mode, status is provided on a character by character basis; the status applies only to the character at the output of the FIFO.

In the block mode, the status provided in the SR for these bits is the accumulation (logical OR) of the status for all characters coming to the output of the FIFO, since the last reset error command was issued.

The Block Error mode has two-sub mode. These modes are controlled by the command register. The error is 'accumulated' (as described above) at either the entry of the data in to the FIFO or on the exit (read of the FIFO). Of the two the setting of the error on the entry of the data into the FIFO gives the earliest warning of error data.

MR1[4:3] – Parity Mode Select

If 'with parity' or 'force parity' is selected, a parity bit is added to the transmitted character and the receiver performs a parity check on incoming data. MR1[4:3] = 11 selects the channel to operate in the special wake up mode.

MR1[2] – Parity Type Select

This bit sets the parity type (odd or even) if the 'with parity' mode is programmed by MR1[4:3], and the polarity of the forced parity bit if the 'force parity' mode is programmed it has no effect if the 'no parity' mode is programmed. In the special 'wake up' mode, it selects the polarity of the A/D bit. The parity bit is used to an address or data byte in the 'wake up' mode.

MR1[1:0] – Bits per Character Select

This field selects the number of data bits per character to be transmitted and received. This number does **not** include the start, parity, or stop bits.

Dual UART

SC28L202

MR2 – Mode Register 2, A and B

MR2 can be accessed directly at 0x22 and 0x2A in the Extended section of the address map, or by means of the 'MR Pointers' at the 0x00 and 0x08 address pointers used by legacy code.

The MR2 register provides basic channel set-up control that may need more frequent updating.

	Bit 7	BIT 6	BIT 5	BIT 4	BIT 3	BIT 2	BIT 1	BIT 0
MR2 A MR2 B	CHANNEL MODE		Tx CONTROLS RTS	CTS ENABLE Tx	STOP BIT LENGTH NOTE: Add 0.5 to binary codes 0 – 7 for 5 bit character lengths.			
	00 = Normal 01 = Auto-Echo 10 = Local loop 11 = Remote loop		0 = No 1 = Yes	0 = No 1 = Yes	0 = 0.563 4 = 0.813 8 = 1.563 C = 1.813 1 = 0.625 5 = 0.875 9 = 1.625 D = 1.875 2 = 0.688 6 = 0.938 A = 1.688 E = 1.938 3 = 0.750 7 = 1.000 B = 1.750 F = 2.000			

NOTE:

1. Add 0.5 to values shown for 0 – 7 if channel is programmed for 5 bits/char.

MR2[7:6] – Mode Select

The DUART can operate in one of four modes: Normal, Automatic Echo, Local Loop Back and Remote Loop Back

MR2[7:6] = b'00 Normal Mode

Normal and default mode The transmitter and receiver operating independently.

MR2[7:6] = b'01 Automatic Echo

Places the channel in the automatic echo mode, which automatically retransmits the received data. The following conditions are true while in automatic echo mode:

- Received data is re-clocked and re-transmitted on the TxD output.
- The receiver clock is used for the transmitted data.
- The receiver must be enabled, but the transmitter need not be enabled.
- The TxRDY and Tx Idle status bits are inactive.
- The received parity is checked, but is not regenerated for transmission, i.e., transmitted parity bit is as received.
- Character framing is checked, but the stop bits are retransmitted as received. Rx data is sent to Rx FIFO
- A received break is echoed as received until the next valid start bit is detected.
- CPU to receiver communication continues normally, but the CPU to transmitter link is disabled.

MR2[7:6] = b'10 selects local loop back diagnostic mode. In this mode:

- The transmitter output is internally connected to the receiver input.
- The transmitter's 1X clock is used for the receiver.
- The TxD output is held high.
- The RxD input is ignored.
- The transmitter must be enabled, but the receiver need not be enabled.
- CPU to transmitter and receiver communications continue normally.

MR2 [7:6] = b'11 Selects the Remote Loop back diagnostic mode. In this mode:

- Received data is re-clocked and re-transmitted on the TxD output.
- The receiver 1X clock is used for the transmitted data.
- Received data is not sent to the local CPU, and the error status conditions are inactive.
- The received parity is not checked and is not regenerated for transmission, i.e., the transmitted parity bit is as received.
- The receiver must be enabled, but the transmitter need not be enabled.
- Character framing is not checked, and the stop bits are retransmitted as received.

- A received break is echoed as received until the next valid start bit is detected.

MR2[5] Transmitter Request to Send Control

This bit controls the deactivation of the RTSN output (I/O2) by the transmitter. This output is manually asserted and negated by appropriate commands issued via the command register. MR2 [5] = 1 negates (drives to logical 1) RTSN automatically one bit time after the characters in the transmit shift register and in the Tx FIFO (if any) are completely transmitted (includes the programmed number of stop bits if the transmitter is not enabled). This feature can be used to automatically terminate the transmission of a message as follows:

- Program auto reset mode: MR2[5]= 1.
- Enable transmitter.
- Assert RTSN via command.
- Send message.
- Verify the next to last character of the message is being sent by waiting until transmitter ready is asserted. Disable transmitter after the last character is loaded into the Tx FIFO.
- The last character will be transmitted and RTSN will be reset one bit time after the last stop bit.

NOTE: when the transmitter controls the RTSN pin the meaning of the pin is COMPLETELY changed. It has nothing to do with the normal RTSN/CTS 'handshaking'. It is usually used to mean, 'end of message' and to 'turn the line around' in simplex communications. From a practical point of view the simultaneous use of Tx control of RTSN and Rx control is mutually exclusive. However if this is programmed the DUART performs as required.

MR2[4] – Clear to Send Control

The state of this bit determines if the CTSN input (I/O0) controls the operation of the transmitter. If this bit is 0, CTSN has no effect on the transmitter. If this bit is a 1, the transmitter checks the state of CTSN each time it is ready to begin sending a character. If it is asserted (low), the character is transmitted. If it is negated (high), the TxD output remains in the marking state and the transmission is delayed until CTSN goes low. Changes in CTSN, while a character is being transmitted, do not affect the transmission of that character. This feature can be used to prevent overrun of a remote receiver.

MR2[3:0] – Stop Bit Length Select

This field programs the length of the stop bit appended to the transmitted character. Stop bit lengths of 9/16 through 2 bits can be programmed. In all cases, the receiver only checks for a mark condition at the center of the first stop bit position (one bit time after the last data bit, or after the parity bit if parity is enabled). If an external 1X clock is used for the transmitter, MR2[1] = 0 selects one stop bit and MR2[1] = 1 selects two stop bits to be transmitted.

Dual UART

SC28L202

MR3 – Mode Register 3, A and B

Bit 7	Bit 6	Bit 5:4	Bit 3:2	Bit 1:0
Xon/Xoff ¹ transparency	Address Recognition ¹ transparency	Reserved	In-band flow control mode	Address Recognition control
0 = flow control characters received are loaded onto the RxFIFO 1 = flow control characters received are not loaded onto the RxFIFO	0 = Address characters received are loaded to RxFIFO 1 = Address characters received are not loaded onto the RxFIFO		00 = host mode, only the host CPU may initiate flow control actions through the CR 01 = Auto Transmitter flow control 10 = Auto Receiver flow control 11 = Auto Rx and Tx flow control	00 = Default 01 = Auto wake 10 = Auto doze 11 = Auto wake and auto doze

NOTE:

1. If these bits are not 0 the characters will be stripped regardless of bits (3:2) or (1:0)

MR3[7 & 6] Xon/Xoff Character Stripping

Control the handling of recognized Xon/Xoff or Address characters. If set, the character codes are placed on the RxFIFO along with their status bits just as ordinary characters are. If the character is not loaded onto the RxFIFO, its received status will be lost unless the receiver is operating in the block error mode, see MR1[5] and the general discussion on receiver error handling. Interrupt processing is not effected by the setting of these bits. See Character recognition section.

MR3[5:4] Reserved**MR3[3:2] Xon/Xoff Processing**

Control the Xon/Xoff processing logic. Auto Transmitter flow control allows the gating of Transmitter activity by Xon/Xoff characters received by the Channel's receiver. Auto Receiver flow control causes the Transmitter to emit an Xoff character when the RxFIFO has loaded to a depth of 240 characters. Draining the RxFIFO to a level of 128 or less causes the Transmitter to emit a Xon character. All transmissions require no host involvement. A setting other than

b'00 in this field precludes the use of the command register to transmit Xon/Xoff characters.

NOTE: Interrupt generation in Xon/Xoff processing is controlled by the IMR (Interrupt Mask Register) of the individual channels. The interrupt may be cleared by a read of the XISR, the Xon/Xoff Interrupt Status Register. Receipt of a flow control character will always generate an interrupt if the IMR is so programmed. The MR0[3:2] bits have effect on the automatic aspects of flow control only, not the interrupt generation.

MR3[1:0] Address Recognition

This field controls the operation of the Address recognition logic. If the device is not operating in the special or 'wake-up' mode, this hardware may be used as a general-purpose character detector by choosing any combination except b'00. Interrupt generation is controlled by the channel IMR. The interrupt may be cleared by a read of the XISR, the Xon/Xoff Interrupt Status Register. See further description in the section on the Wake Up mode.

Dual UART

SC28L202

RxCsr – Receiver Clock Select Register A and B

TxCsr Transmitter Clock Select Register A and B

Both registers consist of single 6-bit field that selects the clock source for the receiver and transmitter respectively. During a read the unused bits in this register read b'000. The 'BRG' baud rates (fixed BRG rates) shown in the table below are based on the Sclk crystal frequency of 14.7456 MHz. The baud rates shown below will vary as the Sclk crystal clock varies. For example, if the Sclk rate is changed to 7.3728 MHz all the rates below will reduce by 1/2.

Bit 7	Bit 6	Bits 5:0
Reserved	Reserved	Transmitter/Receiver Clock select code, See Clock Multiplex Table below

Rx and Tx Clock Select Table

NOTE: Sclk maximum rate is 50 MHz. Data clock rates will follow exactly the ratio of the X1/Sclk to 14.7654 MHz

Tx A Clock Select Code	Clock selection, Sclk = 14.7456 MHz	Tx A Clock Select Code	Clock selection, Sclk = 14.7456 MHz
00 0000	BRG – 50	01 0000	BRG – 75
00 0001	BRG – 110	01 0001	BRG – 150
00 0010	BRG – 134.5	01 0010	BRG – 450
00 0011	BRG – 200	01 0011	BRG – 1800
00 0100	BRG – 300	01 0100	BRG – 2000
00 0101	BRG – 600	01 0101	BRG – 14.4K
00 0110	BRG – 1200	01 0110	BRG – 19.2K
00 0111	BRG – 1050	01 0111	BRG – 28.8K
00 1000	BRG – 2400	01 1000	BRG – 57.6K
00 1001	BRG – 4800	01 1001	BRG – 115.2K
00 1010	BRG – 7200	01 1010	BRG – 230.4K
00 1011	BRG – 9600	01 1011	BRG – 460.8K
00 1100	BRG – 38.4K	01 1100	BRG – 921.6K
00 1101	Timer 0	01 1101	Timer 1
00 1110	I/O3 A transmitter – 16x External *	01 1110	PBRG 0
00 1111	I/O3 A transmitter – 1x External *	01 1111	Midi rate 31.25 KHz 1.66% error
Tx A Clock Select Code	Clock selection, Sclk = 14.7456 MHz	Tx A Clock Select Code	Clock selection, Sclk = 14.7456 MHz
		11 0000 to 11 1101	Reserved
		11 1110	PBRG 1
		11 1111	Reserved

This field selects the baud rate clock for the Channel A transmitter.

* External clock Pin and external clock mode assignment.

Tx/Rx CSR x [5:0]	RxC Channel A	TxC Channel B	RxC channel B
001110	I/O4 A 16x	I/O5 A 16x	I/O6 A 16x
001111	I/O4 A 1X	I/O5 A 1X	I/O6 A 1X

Dual UART

SC28L202

CRx – Command Register Extension, A and B

CR is used to write commands to the DUART.

Bit 7	Bit 6	Bit 5	Bit 4:0
Lock Tx and Rx Enables	Enable Tx	Enable Rx	Command Register codes.
0 = lock Rx & Tx state 1 = Change Rx & Tx state	0 = disable 1 = enable	0 = disable 1 = enable	(See Command Register Table)

CR[7] – Lock Tx and Rx enables.

'0' prevents changing transmitter and receiver enable bits while writing to the lower 5 bits of the command register. Bits CR[6:5] are not changed.

'1' allows the receiver and transmitter enable bits to be changed while issuing a command to the command register.

NOTE: Receiver or transmitter disable is not the same as receiver or transmitter reset.

WRITES TO THE LOWER 5 BITS OF THE CR WOULD USUALLY HAVE CR[7] AT '0' in order to maintain the enable/disable condition of the receiver and transmitter. The bit provides a mechanism for writing commands to a channel, via CR[4:0], without the necessity of keeping track of or reading the current enable status of the receiver and transmitter.

CR[6] – Enable Transmitter

A one written to this bit enables operation of the transmitter. The TxRDY status bit will be asserted. When disabled by writing a zero to this bit, the command terminates transmitter operation and resets the TxRDY and Tx Idle status bits returning the transmitter to its idle state. However, if a character is being transmitted or if characters are loaded in the TxFIFO when the transmitter is disabled, the transmission of the all character(s) is completed before assuming the inactive state.

CR[5] – Enable Receiver

A one written to this bit enables operation of the receiver. The receiver immediately begins the search for and the verification of the start bit. If a zero is written, this command terminates operation of the receiver immediately—a character being received will be lost. The command has no effect on the receiver status bits or any other control registers. The data in the Rx FIFO will be retained and may be read. If the receiver is re-enabled subsequent data will be appended to that already in the Rx FIFO. If the special wake-up mode is programmed, the receiver operates even if it is disabled (see Wake-up Mode).

CR[4:0] – Miscellaneous Commands (See Table below)

The encoded value of this field can be used to specify a single command as follows:

- 00000 No command.
- 00001 Reserved
- 00010 Reset receiver. Immediately resets the receiver as if hardware reset had been applied. The receiver is reset and the FIFO pointer is reset to the first location effectively discarding all unread characters in the FIFO.
- 00011 Reset transmitter. Immediately resets the transmitter as if a hardware reset had been applied. The transmitter is reset and the FIFO pointer is reset to the first location effectively discarding all untransmitted characters in the FIFO.
- 00100 Reset error status. Clears the received break, parity error, framing error, and overrun error bits in the status register (SR[7:4]). It is used in either character or block mode. In block mode it would normally be used after the block is read.

- 00101 Reset break change interrupt. Causes the break detect change bit in the interrupt status register (ISR[2]) to be cleared to zero.
- 00110 Start break. Forces the TxD output low (spacing). If the transmitter is empty, the start of the break condition will be delayed up to two bit times. If the transmitter is active and the Tx FIFO is empty then the break begins when transmission of the current character is completed. If there are characters in the Tx FIFO, the start of break is delayed until all characters presently in the Tx FIFO and any subsequent characters loaded have been transmitted. (Tx Idle must be true before break begins).

The transmitter must be enabled to start a break.

- 00111 Stop break. The TxD line will go high (marking) within two bit times. TxD will remain high for one bit time before the next character is transmitted.
 - 01000 Assert RTSN. Causes the RTSN output to be asserted (low).
 - 01001 Negate RTSN. Causes the RTSN output to be negated (high).
- NOTE:** The two commands above actually reset and set, respectively, the I/O0 B (Channel A) or I/O1 B (Channel B) pin associated with the OPR register. (See SOPR and ROPR registers I/O pin control.)
- 01010 Set C/T Receiver time out mode on
 - 01011 Set MR Pointer to 0
 - 01100 Set C/T Receiver time out mode off
 - 01101 Block error status accumulation on FIFO entry. Allows the 'received break', 'framing error' and 'parity error' bits to be set as the received character is loaded to the Rx FIFO. (normally these bits are set on reading of the data from the Rx FIFO) Setting this mode can give information about error data up to 256 bytes earlier than the normal mode. However it clouds the ability to know precisely which byte(s) are in error.
 - 01110 Power Down Mode On
 - 01111 Disable Power Down Mode
 - 10000 Transmit an Xon Character
 - 10001 Transmit an Xoff Character
 - 10010 C/T start sets the counter timer to the value of the counter/timer preset register and starts the counter.
 - 10011 C/T stop Effectively stops the counter/timer, captures the last count value and resets the counter ready status bit in the ISR
 - 10100 Reserved
 - 10101 Reserved.
 - 10110 Transmitter resume command (This command is not active in 'Auto-Transmit mode'). A command to cancel a previous Host Xoff command. Upon receipt, the channel's transmitter will transfer a character, if any, from the Tx FIFO and begin transmission.

Dual UART

SC28L202

- 10111 Host Xoff (or transmitter pause) command (CRTXoff). This command allows tight host CPU control of the flow control of the channel transmitter. When interrupted for receipt of a Xoff character by the receiver, the host may stop transmission of further characters by the channel transmitter by issuing the Host Xoff command. Any character that has been transferred to the TxD shift register will complete its transmission, including the stop bit before the transmitter pauses. Even though the transmitter is paused it is still able to send Xon/Xoff by the request of its associated receiver.
- 11000 Cancel Host transmit flow control command. Issuing this command will cancel a previous command to transmit a flow control character if the flow control character is not yet loaded into the TxD Shift Register. If there is no character waiting for transmission or if its transmission has already begun, then this command has no effect and the character will be sent.
- 11001 Reserved
- 11010 Reserved
- 11011 Reset Address Recognition Status. This command clears the interrupt status that was set when an address character was recognized by a disabled receiver operating in the special mode.
- 11100 Reserved
- 11101 Block error status accumulates on FIFO read (Default State)
- 11110 Reset to 'C92' Register Set
- 11111 Reserved for channel B, for channel A: executes a chip wide reset. Executing this command in channel a is equivalent to a hardware reset with the RESET(N) pin. Executing in channel B has no effect.

COMMAND REGISTER EXTENSION TABLE A and B

Commands 0x0E, 0x0F, 0x1F (marked with •) are global and exist only in channel A's register space.

Channel Command Code	Channel Command	Channel Command Code	Channel Command
CR[4:0]	Description	CR[4:0]	Description
0 0000	NOP	1 0000	Transmit Xon
0 0001	Set MR pointer to 1	1 0001	Transmit Xoff
0 0010	Reset Receiver	1 0010	Start C/T
0 0011	Reset Transmitter	1 0011	Stop C/T
0 0100	Reset Error Status	1 0100	Reserved
0 0101	Reset Break Change Interrupt	1 0101	Reserved
0 0110	Begin Transmit Break	1 0110	Transmitter Resume Command (CRXoffRe)
0 0111	End Transmit Break	1 0111	Host Xoff Command (CRTXoff)
0 1000	Assert RTSN (I/O0 B or I/O1 B)	1 1000	Cancel Transmit X Char Command (CRTX)
0 1001	Negate RTSN (I/O0 B or I/O1 B)	1 1001	Reserved
0 1010	Set C/T Receiver time-out mode on	1 1010	Reserved
0 1011	Set MR pointer to 0	1 1011	Reset Address Recognition Status
0 1100	Set C/T Receiver time-out mode off	1 1100	Reserved
0 1101	Block Error Status on Rx FIFO load	1 1101	Block Error Status on Rx FIFO Read
0 1110	• Power Down Mode On	1 1110	Reserved
0 1111	• Disable Power Down Mode	1 1111	• Reset Device as a Hardware reset. Reserved in channel B*

Dual UART

SC28L202

SR – Channel Status Register A and B

	Bit 7	Bit 6	Bit 5	Bit 4	Bit 3	Bit 2	Bit 1	Bit 0
	Received Break	Framing Error	Parity Error	Overrun Error	Tx Idle	TxRDY	RxFULL	RxRDY
	0 = No 1 = Yes	0 = No 1 = Yes	0 = No 1 = Yes	0 = No 1 = Yes	0 = No 1 = Yes	0 = No 1 = Yes	0 = No 1 = Yes	0 = No 1 = Yes

SR[7] – Received Break

This bit indicates that an all zero character (including parity, if used) of the programmed length has been received with a stop bit at a logical zero. A single FIFO position is loaded with 0x00 when a break is received; further entries to the FIFO are inhibited until the RxD line returns to the marking state for at least one half bit time (two successive edges of the internal or external 1x clock). When this bit is set, the change in break bit in the ISR (ISR [2]) is set. ISR[2] is also set when the end of the break condition, as defined above, is detected. The break detect circuitry is capable of detecting breaks that originate in the middle of a received character. However, if a break begins in the middle of a character, it must last until the end of the next character in order for it to be detected.

SR[6] – Framing Error (FE)

This bit indicates that a stop bit was not detected when an otherwise non-zeros data character (including parity, if enabled) was received. The stop bit check is made in the middle of the first stop bit position.

SR[5] – Parity Error (PE)

This bit is set when the 'with parity' or 'force parity' mode is programmed and the corresponding character in the FIFO was received with incorrect parity. In the special 'wake up mode', the parity error bit stores the received A/D bit.

SR[4] – Overrun Error (OE)

This bit, when set, indicates that one or more characters in the received data stream have been lost. It is set upon receipt of the start bit of a new character when the RxFIFO is full and a character is already in the receive shift register (257 valid characters in the receiver) waiting for an empty FIFO position. When this occurs, the character in the receive shift register (and its break detect, parity error and framing error status, if any) is lost. This bit is cleared by a reset error status command.

SR [3] – Transmitter Idle (Tx Idle)

This bit is set when the transmitter underruns, i.e., both the Tx FIFO and the transmit shift register are empty. It is set after transmission

of the last stop bit of a character, if no character is in the Tx FIFO awaiting transmission. It is negated when the Tx FIFO is loaded by the CPU, or when the transmitter is disabled or reset. This bit is concerned with the transmitter transmitting data and it essentially shows 'transmitter underrun'. If, while it is underrun it is commanded to send an X on/Xoff character it will remain at the zero state. If it is underrun and while sending an Xon/Xoff character the Tx FIFO is loaded then the bit will go low.

SR[2] – Transmitter Ready (TxRDY)

This bit, when set, indicates that the Tx FIFO is ready to be loaded with at least one more character. This bit is cleared when the Tx FIFO is full or is above its interrupt threshold level set in the MR registers or Tx FIFO interrupt Fill Level register (TxFIL). Characters loaded in the Tx FIFO while the transmitter is disabled will not be transmitted.

SR[1] – RxFIFO Full (RxFULL)

This bit is set when a character is transferred from the receive shift register to the receive FIFO and the transfer causes the FIFO to become full, i.e., all 256 RxFIFO positions are occupied. It is reset when the CPU reads the RxFIFO and that read leaves one or more empty byte position(s). If a character is waiting in the receive shift register because the RxFIFO is full, RxFULL is not reset until the second read of the RxFIFO since the waiting character is immediately loaded to the RxFIFO.

SR[0] – Receiver Ready (RxRDY)

This bit indicates that a character has been received and is waiting in the RxFIFO to be read by the CPU. It is set when the character is transferred from the receive shift register to the RxFIFO and reset when the CPU reads the RxFIFO, and no more characters are in the RxFIFO.

Dual UART

SC28L202

ISR – Interrupt Status Register A and B

	Bit 7	Bit 6	Bit 5	Bit 4	Bit 3	Bit 2	Bit 1	Bit 0
	I/O Port Change of state	Receiver Watch-dog Time-out	Address recognition event	Xon/off event	C/T Ready	Break Change Of state	RxINT Receiver entered the arbitration process.	TxINT Transmitter entered the arbitration process.

This register provides the status of all potential interrupt sources for a UART channel. When generating an interrupt arbitration value, the contents of this register are masked by the interrupt mask register (IMR). If a bit in the ISR is a '1' and the corresponding bit in the IMR is also a '1'; interrupt arbitration for this source will begin. If the corresponding bit in the IMR is a zero, the state of the bit in the ISR can have no affect on the IRQN output. Note that the IMR may or may not mask the **reading** of the ISR as determined by GCCR[06]. If GCCR[0] is cleared, the reset and power on default, the ISR is read without modification. If GCCR[0] is set, the read of the ISR gives a value of the ISR ANDed with the IMR.

ISR[7] – Input Change of State.

This bit is set when a change of state occurs at the I/O1 or I/O0 input pins. It is reset when the CPU reads the Input Port Register, IPR.

ISR[6] Fixed Watchdog Time-out.

This bit is set when the receiver's watchdog timer has counted more than 64 bit times since the last RxFIFO event. RxFIFO events are a read of the RxFIFO or GRxFIFO, or the load of a received character into the FIFO. The interrupt will be cleared automatically when the RxFIFO or GRxFIFO is read. The receiver watch-dog timer is included to allow detection of the very last characters of a received message that may be waiting in the RxFIFO, but are too few in number to successfully initiate an interrupt. Refer to the watchdog timer description for details of how the interrupt system works after a watchdog time-out.

ISR[5] – Address Recognition Status Change.

This bit is set when a change in receiver state has occurred due to an Address character being received from an external source and matches the reference address in ARCR. The bit and interrupt is negated by a write to the CR with command x11011, Reset Address Recognition Status.

ISR[4] – Xon/Xoff Status Change.

This bit is set when a Xon/Xoff character being received from an external source. The bit is negated by a read of the channel Xon/Xoff Interrupt Status Register, XISR.

ISR[3] – Counter Timer Status

The C/T has timed out or the count passed through 0. This bit is cleared by issuing the 'stop C/T ' command.

ISR[2] – Change in Channel Break Status.

This bit, when set, indicates that the receiver has detected the beginning or the end of a received break. It is reset when the CPU issues a reset break change interrupt command via the CR.

ISR[1] – RxINT. (Also Rx DMA hand shake at I/O pins)

The general function of this bit is to indicate that the RxFIFO has data available and that it has entered the arbitration process. The particular meaning of this bit is programmed by RxFIL register. If programmed as receiver ready (MR2[3:2] = 00), it indicates that at least one character has been received and is waiting in the RxFIFO to be read by the host CPU. It is set when the character is transferred from the receive shift register to the RxFIFO and reset when the CPU reads the last character from the RxFIFO.

If RxFIL is programmed as FIFO full, ISR[1] is set when a character is transferred from the receive holding register to the RxFIFO and the transfer causes the RxFIFO to become full, i.e. all 256 FIFO positions are occupied. It is reset whenever RxFIFO is not full. If there is a character waiting in the receive shift register because the FIFO is full, the bit is set again when the waiting character is transferred into the FIFO.

The other two conditions of these bits, 3/4 and half full operate in a similar manner. The ISR[1] bit is set when the RxFIFO fill level meets or exceeds the value; it is reset when the fill level is less. See the description of the MR2 register.

NOTE: This bit must be at a one (1) for the receiver to enter the arbitration process. It is the fact that this bit is zero (0) when the RxFIFO is empty that stops an empty FIFO from entering the interrupt arbitration. Also note that the meaning if this bit is not quite the same as the similar bit in the status register (SR).

ISR[0] – TxINT. (Also Tx DMA hand shake at I/O pins)

The general function of this bit is to indicate that the TxFIFO has an at least one empty space for data. The particular meaning of the bit is controlled by MR0 [5:4] indicates the TxTxFIFO may be loaded with one or more characters. If MR0[5:4] = 00 (the default condition) this bit will not set until the TxTxFIFO is empty—256 bytes available. If the fill level of the TxTxFIFO is below the trigger level programmed by the TxINT field of the Mode Register 0, this bit will be set. A one in this position indicates that at least one character can be sent to the TxTxFIFO. It is turned off as the TxTxFIFO is filled above the level programmed by MR0[5:4]. This bit turns on as the FIFO empties. (Note that the RxFIFO bit turns on as the FIFO fills.) This often a point of confusion in programming interrupt functions for the receiver and transmitter FIFOs.

NOTE: This bit must be at a one (1) for the transmitter to enter the arbitration process. It is the fact that this bit is zero (0) when the TxTxFIFO is full that stops a full TxTxFIFO from entering the interrupt arbitration. Also note that the meaning if this bit is not quite the same as the similar bit in the status register (SR).

Dual UART

SC28L202

IMR – Interrupt Mask Register A and B

	Bit 7	Bit 6	Bit 5	Bit 4	Bit 3	Bit 2	Bit 1	Bit 0
	I/O Port Change of state	Rx Watch-dog Time-out	Address recognition event	Xon/off event	C/T Ready	Break Change Of State	RxRDY interrupt	TxRDY interrupt

The programming of this register selects which bits in the ISR cause an interrupt output. If a bit in the ISR is a '1' and the corresponding bit in the IMR is a '1', the interrupt source is presented to the internal interrupt arbitration circuits, eventually resulting in the IRQN output being asserted (low). If the corresponding bit in the IMR is a zero, the state of the bit in the ISR has no affect on the IRQN output.

IMR[7] COS enable

Allows a change of state in the inputs equipped with input change detectors to cause an interrupt.

IMR[6] Fixed Watchdog Enable

Controls the generation of an interrupt watchdog timer event. If set, a count of 64 idle bit times in the receiver will begin interrupt arbitration.

IMR[5] Address recognition enable

Enables the generation of an interrupt in response to changes in the Address Recognition circuitry of the Special Mode (multi-drop or wake-up mode).

IMR[4] Xon/Xoff Enable

Enables the generation of an interrupt in response to recognition of an in-band flow control character.

IMR[3] Counter/Timer Enable

Enable the C/T interrupt when the C/T reaches 0 count. [2] Enables the generation of an interrupt when a Break condition has been detected by the channel receiver.

IMR[1] Receiver (Rx) Enable

Enables the generation of an interrupt when servicing for the Rx FIFO is desired.

IMR[0] Transmitter (Tx) Enable

Enables the generation of an interrupt when servicing for the Tx FIFO is desired.

RxFIFO – Receiver FIFO, A and B

	Bit[10]	Bit[9]	Bit[8]	Bits [7:0]
	These bits are sent to the status register			This the data byte sent to the data bus on RxFIFO read
	Break Received Status	Framing Error Status	Parity Error Status	8 data bits MSBs =0 for 7,6,5 bit data

The FIFO for the receiver is 11 bits wide and 256 'words' deep. The status of each byte received is stored with that byte and is moved along with the byte as the characters are read from the FIFO. The upper three bits are presented in the STATUS register and they change in the status register each time a data byte is read from the FIFO. Therefore the status register should be read BEFORE the byte is read from the RxFIFO if one wishes to ascertain the quality of the byte.

The foregoing applies to the 'character error' mode of status reporting. See MR1[5] and 'RxFIFO Status' descriptions for 'block error' status reporting. Briefly, 'Block Error' gives the accumulated error of all bytes received by the RxFIFO since the last 'Reset Error' command was issued. (CR = 0x04)

TxFIFO – Transmitter FIFO, A and B

Bits 7:0
8 data bits. MSBs are ignored to 0 for 7, 6, 5 bit data

The FIFO for the transmitter is 8 bits wide by 256 bytes deep. For character lengths less than 8 bits the upper bits will be ignored by the transmitter state machine and thus are effectively discarded.

RxFIL – Receiver FIFO Interrupt Level, A and B

Bits 7:0
Any one of 256 FIFO fill positions

The position in the Rx FIFO that causes the receiver will enter the interrupt arbitration process. This register is used to offset the effect of the arbitration threshold. It use may yield moderate improvements in the interrupt service. It will also 'equalize' interrupt latency and allow for larger aggregate block transfers between fast and slow channels. Writing to this register removes the interrupt control established in MR0 and MR1.

RxFL – Receiver FIFO Fill Level Register

Bits 7:0
Channel byte count code ** (1) = implied '1'
00000001 = 1 00000010 = 2 to 11111111 = 255 **(1)00000000 = 256 if RxRDY status bit is set.

The number of bytes filled in the receiver FIFO

Dual UART

SC28L202

TxFIL – Transmitter FIFO Interrupt Level A and B

Bits 7:0
Any one of 256 FIFO empty positions

The position in the Tx FIFO that caused the transmitter will enter the interrupt arbitration process. This register is used to offset the effect of the arbitration threshold. It use may yield moderate improvements in the interrupt service. It will also 'equalize' interrupt latency and allow for larger aggregate block transfers between fast and slow channels. Writing to this register removes the interrupt control established in MR0 and MR1.

TxEL – Transmitter FIFO Empty Level Register

Bits 7:0
Channel byte count code ** (1) = implied '1'
00000001 = 1 00000010 = 2 to 11111111 = 255 **(1)00000000 = 256 if TxRDY status bit is set.

The number of empty bytes in the Transmitter FIFO.

Registers for Character Recognition

Please note that, although the names of the registers imply a particular function, there is not any hardware function directly attached to them. They are just three characters that may be used for any function requiring recognition or simple character stripping.

It is only when other internal logic is enabled that the reception of a recognized character will trigger particular chip functions and/or interrupts.

XonCR – Xon/Xoff Character Register A and B

Bits 7:0
8 Bits of the Xon Character Recognition (Resets to 0x11)

An 8-bit character register that contains the compare value for a Xon character.

XoffCR – Xoff Character Register A and B

Bits 7:0
8 Bits of the Xoff Character Recognition (Resets to 0x13)

An 8-bit character register that contains the compare value for a Xoff character.

ARCR – Address Recognition Character Register A and B

Bits 7:0
8 Bits of the Multi-Drop Address Character Recognition (Resets to 0x00)

An 8 bit character register that contains the compare value for the wake-up address character.

Dual UART

SC28L202

XISR – Xon–Xoff Interrupt Status Register A and B (Reading this register clears XISR(7:4))

Bits 7:6	Bits 5:4	Bits 3:2	Bits 1:0
Received X Character Status	Automatic X Character transmission status	TxD flow status	TxD character status
00 = none 01 = Xoff received 10 = Xon received 11 = both received	00 = none 01 = Xon transmitted 10 = Xoff transmitted 11 = Both transmitted	00 = normal transmission 01 = TxD halt pending 10 = re-enabled 11 = flow halted	00 = normal TxD data 01 = Idle wait for FIFO data 10 = Xoff in pending 11 = Xon in pending

XISR[7:6] Received X Character Status.

This field can be read to determine if the receiver has encountered a Xon or Xoff character in the incoming data stream. These bits are maintained until a read of the XISR. The field is updated by X character reception regardless of the state of MR3(7) and MR3(3:2) or IMR(4). The field can therefore be used as a character detector for the bit patterns stored in the Xon and Xoff Character Registers.

XISR[5:4] Automatic transmission Status.

This field indicates the last flow control character sent in the Auto Receiver flow control mode. If Auto Receiver mode has not been enabled, this field will always read b'00. It will likewise reset to b'00 if MR0(3) is reset. If the Auto Receiver mode is exited while this field reads b'10, it is the user's responsibility to transmit a Xon, when appropriate.

XISR[3:2] TxD Condition of the automatic flow control status.

This field tracks the transmitter's flow status as follows:

- 00 – normal transmission. Transmitter is not affected by Xon or Xoff.
- 01 – TxD halt pending. After the current character finishes the transmitter will stop. The status will then change to b'11.

- 10 – re-enabled. The transmitter had been halted and has been restarted. It is sending (or is prepared to send) data characters.

After a read of the XISR, it will return to 'normal' status.

- 11 – The transmitter is stopped due to an Xoff character being received from its associated receiver. The transmitter is 'flow controlled'.

XISR[1:0] TxD X character Status.

This field allows determination of the type of character being transmitted. It will always be b'00 if none of the automatic X character controls of MR3[3:2] is enabled.

- 01 – The channel is waiting for a data character to transfer from the Tx FIFO. This condition will only occur for a bit time after a Xon or Xoff character transmission unless the Tx FIFO is empty.
- 10 – A command to send an Xoff character is pending.
- 11 – A command to send an Xon character is pending.

Conditions b'10 and b'11 will not exist for more than a character time.

WCXER Watch Dog, Character, Address and X Enable Register – A and B

Bit 7	Bit 6	Bit 5	Bit 4	BIT 3	BIT 2	BIT 1	BIT 0
Watch dog *		Address recognition		Xon recognition		Xoff Recognition	
1 = disable Wd 0 = no action	1 = enable Wd 0 = no action	1 = disable Ar 0 = no action	1 = enable Ar 0 = no action	1 = disable Xon 0 = no action	1 = enable Xon 0 = no action	1 = disable Xoff 0 = no action	1 = enable Xoff 0 = no action

This register enables the UART's Character Recognition, Address Recognition and Receiver watchdog timer. If both enable and disable are active a disable results. This register is used to enable the general-purpose character recognition feature WITHOUT

causing any Xon/Xoff or wakeup mode activities to occur. The recognition event is reported in the ISR register.

* This bit control is duplicated at MR0[7].

Dual UART

SC28L202

Programmable Counters, Timers and Baud Rate generators

PBRGPU – Programmable BRG Timer Reload Registers, Upper 0 and 1

Bits 7:0
8 MSBs of the BRG Timer divisor.

This is the upper byte of the 16-bit value used by the BRG timer in generating a baud rate clock

PBRGPL – Programmable BRG Timer Reload Registers, Lower 0 and 1

Bits 7:0
8 LSB of the BRG Timer divisor.

This is the lower byte of the 16-bit value used by the BRG timer in generating a baud rate clock.

CTCS 0 and 1 – Counter Timer clock source

NOTE: Writing to this register removes the control established in the counter/timer portion of the ACR in the default register map

Bit 7:6	Bit 5:4	Bit 3:0
Reserved	Mode control	Clock selection
	00 – Selects Counter Mode. Generates a timing edge 01 – Selects Timer Mode. Generates a square wave 10 – Reserved 11 – Selects Timer Pulse Mode. Generates periodic pulses twice the frequency as in Timer Mode. Pulse width is one cycle of the clock as it is delivered to the C/T. (i.e. after any prescale)	0000 External I/O2 A (for CT 0), I/O7 A (for CT 1) 0001 External I/O2 A/16 (for CT 0), I/O7 A/16 (for CT 1) 0010 Sclk 0011 Sclk / 2 0100 Sclk / 16 0101 Sclk / 32 0110 Sclk / 64 0111 Sclk / 128 TxC1X A TxC1X B 1010, 1011 Reserved 1100 Rx Character Count (Ch A) Clock is RxFIFO A load pulse 1101 Rx Character Count (Ch B) Clock is RxFIFO B load pulse 1110, 1111 Reserved

CTVU – Counter Timer Value Registers, Upper 0 and 1

Bits 7:0
8 MSBs of the Counter timer preset value

Reading this register gives the value of the upper 8 bits of the counter timer.

CTVL – Counter timer Value Registers, Lower 0 and 1

Bits 7:0
8 LSB of the Counter timer preset value

Reading this register gives the value of the upper 8 bits of the counter timer.

this could be made worse or completely eliminated. If the Stop counter command is issued and following that the C/T is read there will be no uncertainty go its value. If it is necessary to read the C/T 'on the fly' then reading it twice and comparing the values will correct the problem. The double read will not be effective if the counter timer clock is faster than a read cycle.

NOTE: The counter timer should be stopped before reading. Usually the clock of the counter timer is not synchronized with the read of the C/T. It is therefore possible to capture changing data during the read. Depending on the clock speed with respect to the read cycle

PBRGCS – Programmable BRG Clock Source

Bit 7	Bit 6:4	Bit 3	Bit 2:0
PBRG 1, Register control	PBRG 1, Clock selection	PBRG 0, Register control	PBRG 0, Clock selection
0 = Resets PBRG 1 and holds it stopped 1 = Allows PBRG 1 to run.	000 = Sclk 001 = Sclk / 2 010 = Sclk/ 16 011 = Sclk / 32 100 = Sclk / 64 101 = Sclk / 128 110 = I/O4 A 111 = Reserved	0 = Resets PBRG 0 and holds it stopped. 1 = Allows PBRG 0 to run.	000 = Sclk 001 = Sclk / 2 010 = Sclk / 16 011 = Sclk / 32 100 = Sclk / 64 101 = Sclk / 128 110 = I/O3 A 111 = Reserved

Start/Stop control and clock select register for the two BRG counters. The clock selection is for the input to the counters. It is that clock divided by the number represented by the PBRGPU and PBRGPL the will be used as the 16x clock for the receivers and transmitters. When the BRG timer Clock is selected for the

receiver(s) or transmitter(s) the receivers and transmitters will consider it as a 16x clock and further device it by 16. In other words the receivers and transmitters will always be in the 16x ode of operation when the internal BRG timer is selected for their clock.

Dual UART

SC28L202

CTPU Counter Timer Preset Upper 0 and 1

CTPU	Bit 7	BIT 6	BIT 5	BIT 4	BIT 3	BIT 2	BIT 1	BIT 0
The lower eight (8) bits for the 16 bit counter timer preset register								

CTPL Counter –Timer Preset Low 0 and 1

CTPL	Bit 7	BIT 6	BIT 5	BIT 4	BIT 3	BIT 2	BIT 1	BIT 0
The Upper eight (8) bits for the 16 bit counter timer preset register								

The CTPU and CTPL hold the eight MSBs and eight LSBs, respectively, of the value to be used by the counter/timer in either the counter or timer modes of operation. The minimum value that may be loaded into the CTPU/CTPL registers is H'0000'. Note that these registers are write-only and cannot be read by the CPU.

In the timer mode, the C/T generates a square wave whose period is twice the value (in C/T clock periods) of the CTPU and CTPL. The waveform so generated is often used for a data clock. The formula for calculating the divisor n to load to the CTPU and CTPL for a particular 1X data clock is shown below.

NOTE: The 2 in the denominator is for the Square wave generation. For the Pulse mode change the 2 to a 1.

$$n = \frac{\text{C/T clock input frequency}}{(2 \times 16 \times (\text{Baud rate desired}))}$$

(If the pulse mode is selected, then '2' in the divisor should be '1'. This doubles the C/T output speeds for any given input clock.)

Often this division will result in a non-integer number, 26.3 for example. One can only program integer numbers in a digital divider. Therefore, 26 would be chosen. This gives a baud rate error of 0.3/26.3, which is 1.14% and well within the ability asynchronous mode of operation.

If the value in CTPU and CTPL is changed, the current half-period will not be affected, but subsequent half periods will be. The C/T will not be running until it receives an initial 'Start Counter' command from the command register (or a read at address A6-A0 = 0001110 in the lower 16 position address space). After this, while in timer mode, the C/T will run continuously. Receipt of a start counter command causes the counter to terminate the current timing cycle and to begin a new cycle using the values in CTPU and CTPL.

The counter ready status bit (ISR [3]) is set once each cycle of the square wave. The bit is reset by a stop counter command from the command register (or a read with A6-A0 = 0x0F in the lower 16 position address space). The command however, does not stop the C/T. the generated square wave is output on I/O3 if it is programmed to be the C/T output. In the counter mode, the value C/T loaded into CTPU and CTPL by the CPU is counted down to 0. Counting begins upon receipt of a start counter command. Upon reaching terminal count H'0000', the counter ready interrupt bit (ISR [3]) is set. The counter continues counting past the terminal count until stopped by

the CPU. If I/O3 is programmed to be the output of the C/T, the output remains high until terminal count is reached; at which time it goes low. The output returns to the High State and ISR [3] is cleared when the counter is stopped by a stop counter command. The CPU may change the values of CTPU and CTPL at any time, but the new count becomes effective only on the next start counter commands. If new values have not been loaded, the previous count values are preserved and used for the next count cycle

In the counter mode, the current value of the upper and lower 8 bits of the counter (CTPU, CTPL) may be read by the CPU. It is recommended that the counter be stopped when reading to prevent potential problems that may occur if a carry from the lower 8 bits to the upper 8 bits occurs between the times that both halves of the counter are read. However, note that a subsequent start counter command will cause the counter to begin a new count cycle using the values in CTPU and CTPL. When the C/T clock divided by 16 is selected, the maximum divisor becomes 1,048,575.

The CTS, RTS, CTS Enable Tx signals

CTS (Clear To Send) is usually meant to be a signal to the transmitter meaning that it may transmit data to the receiver. The CTS input is on pin I/O0 A for Tx A and on I/O1 A for Tx B. The CTS signal is active low; thus, it is called CTSN A for Tx A and CTSN B for Tx B. RTS is usually meant to be a signal from the receiver indicating that the receiver is ready to receive data. It is also active low and is, thus, called RTSN A for Rx A and RTSN B for Rx B. RTSN A is on pin I/O0 B and RTSN B is on I/O1 B. A receiver's RTSN output will usually be connected to the CTS input of the associated transmitter. Therefore, one could say that RTS and CTS are different ends of the same wire!

MR2 (4) is the bit that allows the transmitter to be controlled by the CTS pin (I/O0 A or I/O1 A). When this bit is set to one AND the CTS input is driven high, the transmitter will stop sending data at the end of the present character being serialized. It is usually the RTS output of the receiver that will be connected to the transmitter's CTS input. The receiver will set RTS high when the receiver FIFO is full AND the start bit of the ninth character is sensed. Transmission then stops with nine valid characters in the receiver. When MR2 (4) is set to one, CTSN must be at zero for the transmitter to operate. If MR2 (4) is set to zero, the I/O pin will have no effect on the operation of the transmitter. MR1 (7) is the bit that allows the receiver to control I/O0 B. When the receiver controls I/O0 B (or I/O1 B), the meaning of that pin will be the RTSN function.

Dual UART

SC28L202

Registers of the Arbitrating Interrupt System and Bidding control

ICR – Interrupt Control Register

	Bits 7:0
	Upper eight bits of the Arbitration Threshold

This register provides a single 8-bit field called the interrupt threshold for use by the interrupt arbiter. The field is interpreted as a single unsigned integer. The interrupt arbiter will not generate an external interrupt request, by asserting IRQN, unless the value of the highest priority interrupt exceeds the value of the interrupt threshold. If the highest bidder in the interrupt arbitration is lower than the threshold level set by the ICR, the Current Interrupt Register, CIR, will contain 0x'00. Refer to the functional description of interrupt generation for details on how the various interrupt source bid values are calculated.

NOTE: While a watch-dog Timer interrupt is pending, the ICR is not used and only receiver codes are presented for interrupt arbitration. This allows receivers with very low count values (perhaps below the

threshold value) to win interrupt arbitration without requiring the user to explicitly lower the threshold level in the ICR. These bits are the upper seven (8) bits of the interrupt arbitration system. The lower three (3) bits represent the channel number.

UCIR – Update CIR

A command based upon a decode of address 0x61. (UCIR is not a register!) A write (the write data is not important; a 'don't care') to this 'register' causes the Current Interrupt Register to be updated with the value that is winning interrupt arbitration. The register would be used in systems that polls the interrupt status registers rather than wait for interrupts. Alternatively, the CIR is normally updated during an Interrupt Acknowledge Bus cycle in interrupt driven systems.

CIR – Current Interrupt Register

	Bits 7:6	Bits 5:1	Bits 0
	Type	Current byte count/type	Channel number or C/T number
	00 = Type other than transmit or Receiver	00000 = no interrupt 00001 = Change of State 00010 = Address Recognition 00011 = Xon/Xoff status 00100 = Receiver Watch dog 00101 = Break change 00110 = Counter Timer 00111 = Rx Loop Back Error	0 = Channel A or C/T 0 1 = Channel B or C/T 1
	01 = Transmit 11 = Receive w errors 10 = Receive w/o errors	Current count code 00000 => At least 1 character 00001 => At least 16 characters 00001 => At least 24 characters . 11101 => At least 240 characters 11110 => At least 248 characters 11111 => 256 (See also GIBCR)	0 = A 1 = B

The Current Interrupt Register is provided to speed up the specification of the interrupting condition in the DUART. The CIR is updated at the beginning of an interrupt acknowledge bus cycle or in response to an Update CIR command. (see immediately above) Although interrupt arbitration continues in the background, the current interrupt information remains frozen in the CIR until another IACKN cycle or Update CIR command occurs. The LSBs of the CIR provide part of the addressing for various Global Interrupt registers including the GIBCR, GICR, GITR and the Global Rx FIFO and Tx FIFO FIFO. The host CPU need not generate individual addresses for this information since the interrupt context will remain stable at the fixed addresses of the Global Interrupt registers until

the CIR is updated. For most interrupting sources, the data available in the CIR alone will be sufficient to set up a service routine.

The CIR may be processed as follows:

If CIR[7] = 1, then a receiver interrupt is pending and the count is CIR[5:1], channel is CIR[0]

Else If CIR[6] = 1 then a transmitter interrupt is pending and the count is CIR[5:1], channel is CIR[0]

Else the interrupt is another type, specified in CIR[5:1]

NOTE: The GIBCR, Global Interrupting Byte Count Register, may be read to determine an exact character count.

Dual UART

SC28L202

IVR – Interrupt Vector Register

Bits 7:0
8 data bits of the Interrupt Vector (IVR)

The IVR contains the byte that will be placed on the data bus during an IACKN cycle when the GCCR bits (2:1) are set to binary '01'. This is the unmodified form of the interrupt vector.

Modification of the IVR

Bits 7:3	Bits 2:1	Bit 0
Always contains bits (7:3) of the IVR	Will be replaced with current interrupt type if IVC field of GCCR = 3	Replaced with interrupting channel number if IVC field of GCCR > 1

The table above indicates how the IVR may be modified by the interrupting source. The modification of the IVR as it is presented to the data bus during an IACK cycle is controlled by the setting of the bits (2:1) in the GCCR (Global Chip Configuration Register).

GICR – Global Interrupting Channel Register

Bits 7:1	Bit 0
Reserved	Channel code
	0 = a 1 = b

A register associated with the interrupting channel as defined in the CIR. It contains the channel number for the interrupting channel.

GIBCR – Global Interrupting Byte Count Register

Bits 7:0
Channel byte count code
00000001 = 1 00000010 = 2 . 11111111 = 255 00000000 = 256

A register associated with the interrupting channel as defined in the CIR. Its numerical value equals TxEL or RxFL at the time IACKN or 'Update CIR' command was issued. The true number of bytes

ready for transfer to the transmitter or transfer from the receiver. It is undefined for other types of interrupts

GITR – Global Interrupting Type Register

Bit 7:6	Bit 5	Bit 4:3	Bit 2:0
Receiver Interrupt	Transmitter Interrupt	Reserved	Other types
0x = not receiver 10 = with receive errors 11 = w/o receive errors	0 = not transmitter 1 = transmitter interrupt	read 0x00	000 = not 'other' type 001 = Change of State 010 = Address Recognition Event 011 = Xon/Xoff status 100 = Rx Watchdog 101 = Break Change 110 = Counter Timer 111 = Rx Loop Back Error

A register associated with the interrupting channel as defined in the CIR. It contains the type of interrupt code for all interrupts.

GRxFIFO – Global Rx FIFO Register

Bits 7:0
8 data bits of Rx FIFO. MSBs set to 0 for 7, 6, 5 bit data

The Rx FIFO of the channel indicated in the CIR channel field. Undefined when the CIR interrupt context is not a receiver interrupt. **Global** Tx FIFO Register

GTxFIFO – Global Tx FIFO Register

Bits 7:0
8 data bits of Tx FIFO. MSBs not used for 7, 6, 5 bit data

The Tx FIFO of the channel indicated in the CIR channel field. Undefined when the CIR interrupt context is not a transmitter interrupt. Writing to the GTxFIFO when the current interrupt is not a transmitter event may result in the characters being transmitted on a different channel than intended.

Dual UART

SC28L202

BCRBRK – Bidding Control Register – Break Change, A and B

Bits 7:0
MSBs of break change interrupt bid

This register provides the 8 MSBs of the Interrupt Arbitration number for a break change interrupt.

BCRCOS – Bidding Control Register – Change of State, A and B

Bits 7:0
MSBs of Change of state detectors (COS) interrupt bid

This register provides the 8 MSBs of the Interrupt Arbitration number for a Change of State, COS, interrupt.

BCRx – Bidding Control Register – Xon/Xoff, A and B

Bits 7:0
MSBs of an Xon/Xoff interrupt bid

This register provides the 8 MSBs of the Interrupt Arbitration number for a Xon/Xoff interrupt.

BCRA – Bidding Control Register – Address, A and B

Bits 7:0
MSBs of an address recognition event interrupt bid

This register provides the 8 MSBs of the Interrupt Arbitration number for an address recognition event interrupt.

BCR C/T – Bidding Control Register –C/T, 0 and 1

Bits 7:0
MSBs of a counter/timer event interrupt bid

This register provides the 8 MSBs of the Interrupt Arbitration number for a counter/timer event interrupt.

BCRLBE – Bidding Control Register – Received Loop Back Error

Bits 7:0
MSBs of a received loop back error event interrupt bid

This register provides the 8 MSBs of the Interrupt Arbitration number for the received loop back error interrupt.

Registers of the I/O ports

IPCRL – Input Port Change Register Lower Nibble, A and B (n = A for A, n = B for B)

Bit 7	Bit 6	Bit 7	Bit 6	Bit 3	Bit 2	Bit 1	Bit 0
Δ I/O3 n change	Δ I/O2 n change	Δ I/O1 n change	Δ I/O0 n change	I/O3 n state	I/O2 n state	I/O1 n state	I/O0 n state
0 = no change 1 = change	0 = no change 1 = change	0 = no change 1 = change	0 = no change 1 = change	Reads the actual logic level at the pin. 1 = high level; 0 = low level			

This register may be read to determine the current logical level of the I/O pins and examine the output of the change detectors assigned to each pin. If the change detection is not enabled or if the pin is configured as an output, the associated change field will read b'0.

IPCRU – Input Port Change Register Upper Nibble, A and B (n = A for A, n = B for B)

Bit 7	Bit 6	Bit 7	Bit 6	Bit 3	Bit 2	Bit 1	Bit 0
Δ I/O7 n change	Δ I/O6 n change	Δ I/O5 n change	Δ I/O4 n change	I/O7 n state	I/O6 n state	I/O5 n state	I/O4 n state
0 = no change 1 = change	0 = no change 1 = change	0 = no change 1 = change	0 = no change 1 = change	Reads the actual logic level at the pin. 1 = high level; 0 = low level			

This register may be read to determine the current logical level of the I/O pins and examine the output of the change detectors assigned to each pin. If the change detection is not enabled or if the pin is configured as an output, the associated change field will read b'0.

IPR – Input Port Register, A and B (n = A for A, n = B for B)

Bits 7:0
Logical levels of I/O(7:0)n

Dual UART

SC28L202

IPCE – Input Change Detect Enable, A and B (n = A for A, n = B for B)

Bit 7	Bit 6	Bit 5	Bit 4	Bit 3	Bit 2	Bit 1	Bit 0
$\Delta I/O7$ n enable	$\Delta I/O6$ n enable	$\Delta I/O5$ n enable	$\Delta I/O4$ n enable	$\Delta I/O3$ n enable	$\Delta I/O2$ n enable	$\Delta I/O1$ n enable	$\Delta I/O0$ n enable
0 = disable 1 = enable	0 = disable 1 = enable	0 = disable 1 = enable	0 = disable 1 = enable	0 = disable 1 = enable	0 = disable 1 = enable	0 = disable 1 = enable	0 = disable 1 = enable

IPCE[7:0] bits activate the input change of state detectors. If a pin is configured as an output, the change of state detectors, if enabled, continue to be active and will show a change of state as the I/P port changes.

I/OPCR 0 – I/O Port Configuration Register

Bits 7:6	Bits 5:4	Bits 3:2	Bits 1:0
I/O3 A control	I/O2 A control	I/O1 A control	I/O0 A control
00 = GPI / Tx C A 01 = OPR[3] A 10 = Tx C A (16X) Output 11 = Reserved	00 = GPI / CT 0 Clock Input 01 = OPR[2] A / DTRN A 10 = Tx C A (1X) Output 11 = Reserved	00 = GPI / CTSN B 01 = OPR[1] A 10 – 11 = Reserved	00 = GPI / CTSN A 01 = OPR[0] A 10 – 11 = Reserved

I/OPCR 1 – I/O Port Configuration Register

Bits 7:6	Bits 5:4	Bits 3:2	Bits 1:0
I/O7 A control	I/O6 A control	I/O5 A control	I/O4 A control
00 = GPI / CT 1 Clock Input 01 = OPR[7] A / DTRN B 10 = Tx C B (1X) Output 11 = Reserved	00 = GPI / Rx C B / PBRG 1 Clk Input 01 = OPR[6] A 10 = Rx C B (16X) Output 11 = Reserved	00 = GPI / Tx C B 01 = OPR[5] A 10 = Tx C B (16X) Output 11 = Reserved	00 = GPI / Rx C A / PBRG 0 Clk Input 01 = OPR[4] A 10 = Rx C A (16X) Output 11 = Reserved

I/OPCR 2 – I/O Port Configuration Register

Bits 7:6	Bits 5:4	Bits 3:2	Bits 1:0
I/O3 B control	I/O2 B control	I/O1 B control	I/O0 B control
00 = GPI / DSRN B 01 = OPR[3] B 10 = Rx C B (1X) Output 11 = C/T 0 Output (open drain)	00 = GPI / DSRN A 01 = OPR[2] B 10 = Rx C A (1X) Output 11 = C/T 1 Output (open drain)	00 = GPI 01 = OPR[1] B / RTSN B 10 = Reserved 11 = Reserved	00 = GPI 01 = OPR[0] B / RTSN B 10 = Reserved 11 = Reserved

I/OPCR 3 – I/O Port Configuration Register

Bits 7:6	Bits 5:4	Bits 3:2	Bits 1:0
I/O7 B control	I/O6 B control	I/O5 B control	I/O4 B control
00 = GPI / RIN B 01 = OPR[7] B 10 = TxINTN B (open drain) 11 = reserved	00 = GPI / RIN A 01 = OPR[6] B 10 = TxINTN A (open drain) 11 = reserved	00 = GPI / DCDN B 01 = OPR[5] B 10 = RxINTN B (open drain) 11 = reserved	00 = GPI / DCDN A 01 = OPR[4] B 10 = RxINTN A (open drain) 11 = reversed

NOTE: Both I/O Port A and B default to input upon a hardware reset to avoid hardware conflicts with I/O direction

The four registers above contain 4, 2 bit fields that set the direction and source for each of the I/O pins associated with the channel. The I/O0 B or I/O1 B output may be RTSN if MR1[7] is set. It may also signal 'end of transmission' if MR2[5] is set. (Please see the descriptions of these functions under the MR1 and MR2 register descriptions).

The binary settings of the binary 00 combination always configures the I/O pins as 'inputs'. However the input circuit of the I/O pins are ALWAYS active. In actuality the binary 00 condition only disable the output driver of the pin. Since the input circuit and the associated change of state detector is always active the output signal may generate interrupts or drive counters.

This register resets to 0x00 on reset, effectively configuring all I/O pins as inputs. Inputs may be used as Rx C, Tx C inputs or CTSN and General Purpose Inputs simultaneously. All inputs are equipped with change detectors that may be used to generate interrupts or can be polled, as required.

Dual UART

SC28L202

SOPR A and SOPR B – Set the Output Port Bits (OPR A and OPR B)

SOPR [7:0] – Ones in the byte written to this register will cause the corresponding bit positions in the OPR to set to 1. Zeros have no effect. This allows software to set individual bits with our keeping a copy of the OPR bit configuration. One register for each channel.

	Bit 7	BIT 6	BIT 5	BIT 4	BIT 3	BIT 2	BIT 1	BIT 0
Set OPR Bits	OPR 7	OPR 6	OPR 5	OPR 4	OPR 3	OPR 2	OPR 1	OPR 0
	1=set bit 0=no change	1=set bit 0=no change	1=set bit 0=no change	1=set bit 0=no change	1=set bit 0=no change	1=set bit 0=no change	1=set bit 0=no change	1=set bit 0=no change

ROPR A and ROPR B – Reset ROPR Output Port Bits (OPR A and OPR B)

ROPR [7:0] – Ones in the byte written to the ROPR will cause the corresponding bit positions in the OPR to set to 0. Zeros have no effect. This allows software to reset individual bits with our keeping a copy of the OPR bit configuration. One register for each channel

	Bit 7	BIT 6	BIT 5	BIT 4	BIT 3	BIT 2	BIT 1	BIT 0
Reset OPR Bits	OPR 7	OPR 6	OPR 5	OPR 4	OPR 3	OPR 2	OPR 1	OPR 0
	1=reset bit 0=no change	1=reset bit 0=no change	1=reset bit 0=no change	1=reset bit 0=no change	1=reset bit 0=no change	1=reset bit 0=no change	1=reset bit 0=no change	1=reset bit 0=no change

OPR – Output Port Register, A and B (n = A for A, n = B for B)

The output pins (I/O pins) drive the data written to this register.

	Bit 7	BIT 6	BIT 5	BIT 4	BIT 3	BIT 2	BIT 1	BIT 0
OPR	I/O7 n	I/O6 n	I/O5 n	I/O4 n	I/O3 n	I/O2 n	I/O1 n	I/O0 n
	0=Pin High 1=Pin Low	0=Pin High 1=Pin Low	0=Pin High 1=Pin Low	0=Pin High 1=Pin Low	0=Pin High 1=Pin Low	0=Pin High 1=Pin Low	0=Pin High 1=Pin Low	0=Pin High 1=Pin Low

This register is set by the SOPR and ROPR above.

Dual UART

SC28L202

THE REGISTERS FOR COMPATIBILITY WITH PREVIOUS DUARTS

The purpose of including previous functionality is to allow users to call communications code that may be used in former systems. When the registers in this lower 16-position address space is used it will revoke programming done in the upper address space where the addresses are duplicated. If functions have been called from upper address space that DO NOT exist in the lower address space they will remain active. It is therefore recommended that the 'Reset

to C92' command be issued before calling code written for older devices. This is just recommended. If one wishes to enhance previous code by using Xon/Xoff, for example, there is no restriction against it. These registers provide the original functionality of previous Philips DUARTs: SCN2681, SCN68681, SCC2691, SCC68692, SC26C92 and SC28L92.

Table 7. SC28L92 Register Addressing READ (RDN = 0) WRITE (WRN = 0)

Address				READ (RDN = 0)	WRITE (WRN = 0)
0	0	0	0	Mode Register A (MR0 A, MR1 A, MR2 A)	Mode Register A (MR0 A, MR1 A, MR2 A)
0	0	0	1	Status Register A (SR A)	Clock Select Register A (CSR A)
0	0	1	0	Reserved	Command Register A (CR A)
0	0	1	1	Rx Holding Register A (RxFIFO A)	Tx Holding Register A (TxFIFO A)
0	1	0	0	Input Port Change Register (IPCR)	Aux. Control Register (ACR)
0	1	0	1	Interrupt Status Register (ISR)	Interrupt Mask Register (IMR)
0	1	1	0	Counter/Timer Upper (CTPU)	C/T Upper Preset Register (CTPU)
0	1	1	1	Counter/Timer Lower (CTPL)	C/T Lower Preset Register (CTPL)
1	0	0	0	Mode Register B (MR0 B, MR1 B, MR2 B)	Mode Register B (MR0 B, MR1 B, MR2 B)
1	0	0	1	Status Register B (SR B)	Clock Select Register B (CSR B)
1	0	1	0	Reserved	Command Register B (CR B)
1	0	1	1	Rx Holding Register B (RxFIFO B)	Tx Holding Register B (TxFIFO B)
1	1	0	0	IVR or general purpose register	IVR or general purpose register
1	1	0	1	Input Port (IPR) I/O(6:0) A	Output Port Confide. Register (OPCR) I/O(7:2) B
1	1	1	0	Start Counter Command (C/T 0)	Set Output Port Bits Command (SOPR) I/O(7:0) B
1	1	1	1	Stop Counter Command (C/T 0)	Reset output Port Bits Command (ROPR) I/O(7:0) B

NOTE: The three MR Registers are accessed via the MR Pointer and Commands 0x1n and 0xBn (where n = represents receiver and transmitter enable bits)

The following registers are unique for each Channel			
Mode Register	MRn A	MRn B	R/W
Status Register	SR A	SR B	R only
Clock Select	CSR A	CSR B	W only
Command Register	CR A	CR B	W only
Receiver FIFO	RxFIFO A	RxFIFO B	R only
Transmitter FIFO	TxFIFO A	TxFIFO B	W only

These registers support functions for both Channels		
Input Port Change Register	IPCR	R
Auxiliary Control Register	ACR	W
Interrupt Status Register	ISR	R
Interrupt Mask Register	IMR	W
Counter Timer Upper Value	CTPU	R
Counter Timer Lower Value	CTPL	R
Counter Timer Preset Upper	CTPU	W
Counter Timer Preset Lower	CTPL	W
Input Port Register	IPR	R
Output Configuration Register	OPCR	W
Set Output Port	Bits	W
Reset Output Port	Bits	W

Dual UART

SC28L202

Table 8. Baud Rate Generator Characteristics

Crystal or Clock = 14.7456 MHz

NORMAL RATE (BAUD)	ACTUAL 16X CLOCK (kHz)	ERROR (%)	NORMAL RATE (BAUD)	ACTUAL 16X CLOCK (kHz)	ERROR (%)
50	0.8	0	2400	38.4	0
75	1.2	0	4800	76.8	0
110	1.759	-0.069	7200	115.2	0
134.5	2.153	0.059	9600	153.6	0
150	2.4	0	19.2K	307.2	0
200	3.2	0	38.4K	614.4	0
300	4.8	0	14.4K	230.4	0
600	9.6	0	28.8K	460.8	0
1050	16.756	-0.260	31.25	500.0	1.6
1200	19.2	0	57.6k	921.6	0
1800	28.8	0	115.2K	1843.2	0
2000	32.056	0.175	230.4K	3686.4	0

NOTE: Duty cycle of 16X clock is 50% ± 1%

Dual UART

SC28L202

REGISTER DESCRIPTIONS Mode Registers

MR0 Mode Register 0 MR0 is accessed by setting the MR pointer to 0 via the command register command B.

	Bit 7	BIT 6	BIT (5:4)	BIT 3	BIT 2	BIT 1	BIT 0
MR0 A MR0 B MR0 B[3:0] are reserved	Rx WATCH DOG 0 = Disable 1 = Enable	RxINT BIT 2 See Tables in MR0 description	TxINT (1:0) See table #4	FIFO Size 0 = 8 1 = 256	BAUD RATE EXTENDED II 0 = Norma 1 = Extend II	TEST 2 Set to 0	BAUD RATE EXTENDED 1 0 = Normal 1 = Extend

MR0[7] This bit controls the receiver watchdog timer. 0 = disable, 1 = enable. When enabled, the watch dog timer will generate a receiver interrupt if the receiver FIFO has not been accessed within 64 bit times of the receiver 1X clock. This is used to alert the control processor that data is in the Rx FIFO that has not been read. This situation may occur when the byte count of the last part of a message is not large enough to generate an interrupt. This control bit is duplicated WCXER(7:6)

MR0[6] – Bit 2 of receiver FIFO interrupt level. This bit along with Bit 6 of MR1 sets the fill level of the 8 byte FIFO that generates the receiver interrupt.

MR0[6] MR1[6] Note that this control is split between MR0 and MR1. This is for backward compatibility to the SC2692 and SCN2681.

**Table 9. Receiver FIFO Interrupt Fill Level
MR0[3] = 0**

MR0[6] MR1[6]	Interrupt Condition
00	1 or more bytes in FIFO (Rx RDY)
01	3 or more bytes in FIFO
10	6 or more bytes in FIFO
11	8 bytes in FIFO (Rx FULL)

**Table 10. Receiver FIFO Interrupt Fill Level
MR0[3] = 1**

MR0[6] MR1[6]	Interrupt Condition
00	1 or more bytes in FIFO (Rx RDY)
01	128 or more bytes in FIFO
10	192 or more bytes in FIFO
11	256 bytes in FIFO (Rx FULL)

For the receiver these bits control the number of FIFO positions empty when the receiver will attempt to interrupt. After the reset the receiver FIFO is empty. The default setting of these bits cause the receiver to attempt to interrupt when it has one or more bytes in it.

MR0[5:4] – Tx interrupt fill level.

**Table 11. Transmitter FIFO Interrupt Fill Level
MR0[3] = 0**

MR0[5:4]	Interrupt Condition
00	8 bytes empty (Tx EMPTY)
01	4 or more bytes empty
10	6 or more bytes empty
11	1 or more bytes empty (Tx RDY)

**Table 12. Transmitter FIFO Interrupt Fill Level
MR0[3] = 1**

MR0[5:4]	Interrupt Condition
00	256 bytes empty (Tx EMPTY)
01	128 or more bytes empty
10	192 or more bytes empty
11	1 or more bytes empty (Tx RDY)

For the transmitter these bits control the number of FIFO positions empty when the receiver will attempt to interrupt. After the reset the transmit FIFO has 8 bytes empty. It will then attempt to interrupt as soon as the transmitter is enabled. The default setting of the MR0 bits (00) condition the transmitter to attempt to interrupt only when it is completely empty. As soon as one byte is loaded, it is no longer empty and hence will withdraw its interrupt request.

MR0[3] – FIFO Size

MR0[2:0] – These bits are used to select one of the six-baud rate groups.

See Table 13 for the group organization.

- 000 Normal mode
- 001 Extended mode I
- 100 Extended mode II

Other combinations of MR2[2:0] should not be used

NOTE: MR0[3:0] are not used in channel B and should be set to '0'.

Dual UART

SC28L202

MR1 Mode Register 1

	Bit 7	BIT 6	BIT 5	Bit (4:3)	BIT 2	Bits (1:0)
MR1 A MR1 B	Rx CONTROLS RTS	RxINT BIT 1	ERROR MODE	PARITY MODE	PARITY TYPE	BITS PER CHARACTER
	0 = No 1 = Yes	0 = RxRDY 1 = FFULL	0 = Char 1 = Block	00 = With Parity 01 = Force Parity 10 = No Parity 11 = Multi-drop Mode	0 = Even 1 = Odd	00 = 5 01 = 6 10 = 7 11 = 8

NOTE: * In block error mode the block error conditions must be cleared by using the error reset command (command 0x40) or a receiver reset.

MR1 A is accessed when the Channel A MR pointer points to MR1. The pointer is set to MR1 by RESET or by a 'set pointer' command applied via CR command 1. After reading or writing MR1 A, the pointer will point to MR2 A.

MR1 A[7] – Channel A Receiver Request-to-Send Control (Flow Control)

This bit controls the deactivation of the RTSN A output (I/O B) by the receiver. This output is normally asserted by setting OPR[0]B and negated by resetting OPR[0]B.

MR1 A[7] = 1 causes RTSN A to be negated (I/O B is driven to a '1' [V_{CC}]) upon receipt of a valid start bit if the Channel A FIFO is full. This is the beginning of the reception of the ninth byte. If the FIFO is not read before the start of the tenth byte, an overrun condition will occur and the tenth byte will be lost. However, the bit in OPR[0] is not reset and RTSN A will be asserted again when an empty FIFO position is available. This feature can be used for flow control to prevent overrun in the receiver by using the RTSN A output signal to control the CTSN input of the transmitting device.

MR1[6] – Receiver interrupt control bit 1. See description under MR0[6].

MR1 A[5] – Channel A Error Mode Select

This bit select the operating mode of the three FIFOed status bits (FE, PE, received break) for Channel A. In the 'character' mode, status is provided on a character-by-character basis; the status applies only to the character at the top of the FIFO. In the 'block'

mode, the status provided in the SR for these bits is the accumulation (logical-OR) of the status for all characters coming to the top of the FIFO since the last 'reset error' command for Channel A was issued.

MR1 A[4:3] – Channel A Parity Mode Select

If 'with parity' or 'force parity' is selected a parity bit is added to the transmitted character and the receiver performs a parity check on incoming data

MR1 A[4:3] = 11 selects Channel A to operate in the special multi-drop mode described in the Operation section.

MR1 A[2] – Channel A Parity Type Select

Selects the parity type (odd or even) if the 'with parity' mode is programmed by MR1 A[4:3], and the polarity of the forced parity bit if the 'force parity' mode is programmed; no effect if 'no parity' is programmed. In the special multi-drop mode it selects the polarity of the A/D bit.

MR1 A[1:0] – Channel A Bits Per Character Select

This field selects the number of data bits per character to be transmitted and received. The character length does not include the start, parity, and stop bits.

MR2 A is accessed when the Channel A MR pointer points to MR2, which occurs after any access to MR1 A. Accesses to MR2 A do not change the pointer.

MR2 Mode Register 2

	Bit 7	BIT 6	BIT 5	BIT 4	BIT 3	BIT 2	BIT 1	BIT 0
MR2 A MR2 B	CHANNEL MODE		Tx CONTROLS RTS	CTS ENABLE Tx	STOP BIT LENGTH NOTE: Add 0.5 to binary codes 0 – 7 for 5 bit character lengths.			
	00 = Normal 01 = Auto-Echo 10 = Local loop 11 = Remote loop		0 = No 1 = Yes	0 = No 1 = Yes	0 = 0.563 4 = 0.813 8 = 1.563 C = 1.813 1 = 0.625 5 = 0.875 9 = 1.625 D = 1.875 2 = 0.688 6 = 0.938 A = 1.688 E = 1.938 3 = 0.750 7 = 1.000 B = 1.750 F = 2.000			

NOTE: *Add 0.5 to values shown for 0 – 7 if channel is programmed for 5 bits/char.

See description in the previous MR2 description

Dual UART

SC28L202

SR Status Register

	BIT 7	BIT 6	BIT 5	BIT 4	BIT 3	BIT 2	BIT 1	BIT 0
SR A SR B	RECEIVED BREAK*	FRAMING ERROR*	PARITY ERROR*	OVERRUN ERROR	TxE _{MT}	TxRDY	FFULL	RxRDY
	0 = No 1 = Yes	0 = No 1 = Yes	0 = No 1 = Yes	0 = No 1 = Yes	0 = No 1 = Yes	0 = No 1 = Yes	0 = No 1 = Yes	0 = No 1 = Yes

NOTE: *These status bits are appended to the corresponding data character in the receive FIFO. A read of the status provides these bits (7:5) from the top of the FIFO together with bits (4:0). These bits are cleared by a 'reset error status' command. In character mode they are discarded when the corresponding data character is read from the FIFO. In block error mode, the error–reset command (command 4x or receiver reset) must be used to clear block error conditions

SR A[7] – Received Break

Channel A Received Break. This bit indicates that an all zero character of the programmed length has been received without a stop bit. Only a single FIFO position is occupied when a break is received: further entries to the FIFO are inhibited until the Rx_D A line returns to the marking state for at least one–half a bit time two successive edges of the internal or external 1X clock. This will usually require a high time of one X1 clock period or 3 X1 edges since the clock of the controller is not synchronous to the X1 clock.

When this bit is set, the Channel A 'change in break' bit in the ISR (ISR[2]) is set. ISR[2] is also set when the end of the break condition, as defined above, is detected.

The break detect circuitry can detect breaks that originate in the middle of a received character. However, if a break begins in the middle of a character, it must persist until at least the end of the next character time in order for it to be detected.

This bit is reset by command 4 (0100) written to the command register or by receiver reset.

SR A[6] – Channel A Framing Error

This bit, when set, indicates that a stop bit was not detected when the corresponding data character in the FIFO was received. The stop bit check is made in the middle of the first stop bit position.

SR A[5] – Channel A Parity Error

This bit is set when the 'with parity' or 'force parity' mode is programmed and the corresponding character in the FIFO was received with incorrect parity.

In the special multi–drop mode the parity error bit stores the receive A/D (Address/Data) bit.

SR A[4] – Channel A Overrun Error

This bit, when set, indicates that one or more characters in the received data stream have been lost. It is set upon receipt of a new character when the FIFO is full and a character is already in the receive shift register waiting for an empty FIFO position. When this occurs, the character in the receive shift register (and its break detect, parity error and framing error status, if any) is lost.

This bit is cleared by a 'reset error status' command.

SR A[3] – Channel A Transmitter Empty (TxEMT A)

This bit will be set when the transmitter under runs, i.e., both the TxEMT and TxRDY bits are set. This bit and TxRDY are set when the transmitter is first enabled and at any time it is re–enabled after either (a) reset, or (b) the transmitter has assumed the disabled state. It is always set after transmission of the last stop bit of a character if no character is in the THR awaiting transmission.

It is reset when the THR is loaded by the CPU, a pending transmitter disable is executed, the transmitter is reset, or the transmitter is disabled while in the under run condition.

SR A[2] – Channel A Transmitter Ready (TxRDY A)

This bit, when set, indicates that the transmit FIFO is not full and ready to be loaded with another character. This bit is cleared when the transmit FIFO is loaded by the CPU and there are (after this load) no more empty locations in the FIFO. It is set when a character is transferred to the transmit shift register. TxRDY A is reset when the transmitter is disabled and is set when the transmitter is first enabled. Characters loaded to the Tx_FIFO while this bit is 0 will be lost. This bit has different meaning from ISR[0].

SR A[1] – Channel A FIFO Full (FFULL A)

This bit is set when a character is transferred from the receive shift register to the receive FIFO and the transfer causes the FIFO to become full, i.e., all eight FIFO positions are occupied. It is reset when the CPU reads the receive FIFO. If a character is waiting in the receive shift register because the FIFO is full, FFULL A will not be reset when the CPU reads the receive FIFO. This bit has different meaning from ISR1 when MR1 6 is programmed to a '1'.

SR A[0] – Channel A Receiver Ready (RxRDY A)

This bit indicates that a character has been received and is waiting in the FIFO to be read by the CPU. It is set when the character is transferred from the receive shift register to the FIFO and reset when the CPU reads the receive FIFO, only if (after this read) there are no more characters in the FIFO.

SR B – Channel B Status Register

The bit definitions for this register are identical to the bit definitions for SR A, except that all status applies to the Channel B receiver and transmitter and the corresponding inputs and outputs.

Dual UART

SC28L202

CSR A – Channel A Clock Select Register CSR A [7:4] – Channel A Receiver Clock Select

This field selects the baud rate clock for the Channel A receiver. The field definition is shown in Table 13.

CSR Clock Select Register

	Bit 7	BIT 6	BIT 5	BIT 4	BIT 3	BIT 2	BIT 1	BIT 0
CSR A & CSR B	RECEIVER CLOCK SELECT				TRANSMITTER CLOCK SELECT			
	See Text and Table 13				See Text and Table 13			

Table 13. Baud Rate (Base on a 14.7456 MHz crystal clock)

CSR A [7:4]	MR0[0] = 0 (Normal Mode)		MR0[0] = 1 (Extended Mode I)		MR0[2] = 1 (Extended Mode II)	
	ACR[7] = 0	ACR[7] = 1	ACR[7] = 0	ACR[7] = 1	ACR[7] = 0	ACR[7] = 1
0000	50	75	300	450	4,800	7,200
0001	110	110	110	110	880	880
0010	134.5	134.5	134.5	134.5	1,076	1,076
0011	200	150	1200	900	19.2K	14.4K
0100	300	300	1800	1800	28.8K	28.8K
0101	600	600	3600	3600	57.6K	57.6K
0110	1,200	1,200	7200	7,200	115.2K	115.2K
0111	1,050	2,000	1,050	2,000	1,050	2,000
1000	2,400	2,400	14.4K	14.4K	57.6K	57.6K
1001	4,800	4,800	28.8K	28.8K	4,800	4,800
1010	7,200	1,800	7,200	1,800	57.6K	14.4K
1011	9,600	9,600	57.6K	57.6K	9,600	9,600
1100	38.4K	19.2K	230.4K	115.2K	38.4K	19.2K
1101	Timer	Timer	Timer	Timer	Timer	Timer
1110	I/O4 A–16X	I/O4 A–16X	I/O4 A–16X	I/O4 A–16X	I/O4 A–16X	I/O4 A–16X
1111	I/O4 A–1X	I/O4 A–1X	I/O4 A–1X	I/O4 A–1X	I/O4 A–1X	I/O4 A–1X

NOTE: The receiver clock is always a 16X clock except for CSR A [7:4] = 1111.

CSR A [3:0] – Channel A EXTERNAL Transmitter Clock Select

This field selects the baud rate clock for the Channel A transmitter. The field definition is as shown in Table 13, except as follows:

CSR A [3:0]	ACR[7] = 0	ACR[7] = 1
1110	I/O3 A–16X	I/O3 A–16X
1111	I/O3 A–1X	I/O3 A–1X

The transmitter clock is always a 16X clock except for CSR[3:0] = 1111.

CSR B [7:4] – Channel B Receiver Clock Select

This field selects the baud rate clock for the Channel B receiver. The field definition is as shown in Table 13, except as follows:

CSR B [7:4]	ACR[7] = 0	ACR[7] = 1
1110	I/O6 A–16X	I/O6 A–16X
111	I/O6 A–1X	I/O6 A–1X

Rx FIFO Register. For characters shorter than 8 bits the unused bits are set to zero

	Bit 7	BIT 6	BIT 5	BIT 4	BIT 3	BIT 2	BIT 1	BIT 0
	Bits of the received data characters.							

Tx FIFO register. For characters shorter than 8 bits the unused bits are set to zero

	Bit 7	BIT 6	BIT 5	BIT 4	BIT 3	BIT 2	BIT 1	BIT 0
	Bits of the data characters to be transmitted							

The receiver clock is always a 16X clock except for CSR B[7:4] = 1111.

CSR B [3:0] – Channel B Transmitter Clock Select

This field selects the baud rate clock for the Channel B transmitter. The field definition is as shown in Table 13, except as follows:

CSR B [3:0]	ACR[7] = 0	ACR[7] = 1
1110	I/O5 A–16X	I/O5 A–16X
1111	I/O5 A–1X	I/O5 A–1X

The transmitter clock is always a 16X clock except for CSR B[3:0] = 1111.

Dual UART

SC28L202

CR A and B Command Register

CR, one for each channel, controls the channel commands and enables/disables the receiver and transmitter. Commands may be to the upper and lower four bits in the same bus cycle. If both enable and disable bits are set to 1 in the lower four bits a disable will result.

CR Command Register

	Bit 7	BIT 6	BIT 5	BIT 4	BIT 3	BIT 2	BIT 1	BIT 0
CR A & CR B	MISCELLANEOUS COMMANDS				Disable Tx	Enable Tx	Disable Rx	Enable Rx
	See Text of Channel Command Register				1 = Yes 0 = No	1 = Yes 0 = No	1 = Yes 0 = No	1 = Yes 0 = No

NOTE: Access to the miscellaneous commands should be separated by 3 X1 clock edges. A disabled transmitter cannot be loaded.

COMMAND REGISTER TABLE A and B

Commands 0xE, 0xF (marked with *) are global and exist only in channel A's register space.

Channel Command Code	Channel Command	Channel Command Code	Channel Command
CR[7:4]	Description	CR[7:4]	Description
0000	NOP	1000	Assert RTSN (I/O0 B or I/O1 B)
0001	Set MR pointer to 1	1001	Negate RTSN (I/O0 B or I/O1 B)
0010	Reset Receiver	1010	Set C/T Receiver time-out mode on
0011	Reset Transmitter	1011	Set MR pointer to 0
0100	Reset Error Status	1100	Set C/T Receiver time-out mode off
0101	Reset Break Change Interrupt	1101	Block Error Status on Rx FIFO load
0110	Begin Transmit Break	1110	• Power Down Mode On
0111	End Transmit Break	1111	• Disable Power Down Mode

- 0000 No command.
- 0001 set MR pointer to 1
- 0010 Reset receiver. Immediately resets the receiver as if hardware reset had been applied. The receiver is reset and the FIFO pointer is reset to the first location effectively discarding all unread characters in the FIFO.
- 0011 Reset transmitter. Immediately resets the transmitter as if a hardware reset had been applied. The transmitter is reset and the FIFO pointer is reset to the first location effectively discarding all untransmitted characters in the FIFO.
- 0100 Reset error status. Clears the received break, parity error, framing error, and overrun error bits in the status register (SR[7:4]). I

It is used in either character or block mode. In block mode it would normally be used after the block is read.

- 0101 Reset break change interrupt. Causes the break detect change bit in the interrupt status register (ISR[2]) to be cleared to zero.
- 0110 Start break. Forces the TxD output low (spacing). If the transmitter is empty, the start of the break condition will be delayed up to two bit times. If the transmitter is active and the Tx FIFO is empty then the break begins when transmission of the current character is completed. If there are characters in the Tx FIFO, the start of break is delayed until all characters presently in the Tx FIFO and any subsequent characters loaded have been transmitted. (Tx Idle must be true before break begins).

The transmitter must be enabled to start a break.

- 0111 Stop break. The TxD line will go high (marking) within two bit times. TxD will remain high for one bit time before the next character is transmitted.
- 1000 Assert RTSN. Causes the RTSN output to be asserted (low).
- 1001 Negate RTSN. Causes the RTSN output to be negated (high).

NOTE: The two commands above actually reset and set, respectively, the I/O0 B or I/O1 B pin associated WITH the OPR register.

- 1010 Set C/T Receiver time out mode on. The receiver in this channel will restart the C/T as reach receive character is transferred from the shift register to the Rx FIFO. The C/T is placed in the Counter Mode, the Start/Stop Counter commands are disabled, the counter is stopped and the Counter Ready bit, ISR(3), is reset.
- 1011 Set MR Pointer to 0
- 1100 Set C/T Receiver time out mode off
- 1101 Block error status accumulation on FIFO entry. Allows the 'received break', 'framing error' and 'parity error' bits to be set as the received character is loaded to the Rx FIFO. (normally these bits are set on reading of the data from the Rx FIFO) Setting this mode can give information about error data up to 256 bytes earlier than the normal mode. However it clouds the ability to know precisely which byte(s) are in error.
- 1110 Power Down Mode On
- 1111 Disable Power Down Mode

Dual UART

SC28L202

IPCR Input Port Configuration Register

	BIT 7	BIT 6	BIT 5	BIT 4	BIT 3	BIT 2	BIT 1	BIT 0
IPCR	Delta I/O 3A	Delta I/O 2A	Delta I/O 1A	Delta I/O 0A	I/O 3A	I/O 2A	I/O 1A	I/O 0A
	0 = no change 1 = change	0 = no change 1 = change	0 = no change 1 = change	0 = no change 1 = change	0 = low 1 = High	0 = low 1 = High	0 = low 1 = High	0 = low 1 = High

IPCR [7:4] I/O3A, I/O2 A, I/O1 A, I/O0 A Change-of-State

These bits are set when a change-of-state, as defined in the input port section of this data sheet, occurs at the respective input pins.

They are cleared when the IPCR is read by the CPU. A read of the IPCR also clears ISR [7], the input change bit in the interrupt status register. The setting of these bits can be programmed to generate an interrupt to the CPU.

IPCR [3:0] I/O3 A, I/O2 A, I/O1 A, I/O0 A logical level of I/O pin.

These bits provide the current state of the respective inputs. The information is unlatched and reflects the state of the input pins at the time the IPCR is read.

ACR Auxiliary Control Register

	Bit 7	BIT 6	BIT 5	BIT 4	BIT 3	BIT 2	BIT 1	BIT 0
ACR	BRG SET Select	Counter Timer Mode and clock source select			Delta I/O3 A interrupt enable	Delta I/O2 A interrupt enable	Delta I/O1 A interrupt enable	Delta I/O0 A interrupt enable
	0 = set 1 1 = set 2	See Table 14			0 = off 1 = enabled	0 = off 1 = enabled	0 = off 1 = enabled	0 = off 1 = enabled

ACR[7] – Baud Rate Generator Set Select

This bit selects one of two sets of baud rates to be generated by the BRG and it effects both channels. (see Table 13).

ACR[6:4] – Counter/Timer Mode And Clock Source Select

This field selects the operating mode of the counter/timer and its clock source as shown in Table 14.

ACR[3:0] – I/O3 A, I/O2 A, I/O1 A, I/O0 A Change-of-State Interrupt Enable

This field selects which bits of the input port change register (IPCR) cause the input change bit in the interrupt status register (ISR [7]) to be set. If a bit is in the 'on' state the setting of the corresponding bit in the IPCR will also result in the setting of ISR[7], which results in the generation of an interrupt output if IMR[7] = 1. If a bit is in the 'off' state, the setting of that bit in the IPCR has no effect on ISR[7].

Table 14. ACR 6:4 Field Definition

ACR(6:4)	MODE	CLOCK SOURCE
000	Counter	External (I/O2A)
001	Counter	TxC A – 1X clock of Channel A transmitter
010	Counter	TxC B – 1X clock of Channel B transmitter
011	Counter	(X1/Sclk) clock divided by 16
100	Timer	External (I/O 2A)
101	Timer	External (I/O2 A) divided by 16
110	Timer	Crystal or external clock (X1/Sclk)
111	Timer	(X1/Sclk) clock divided by 16

NOTE: The timer mode generates a square wave.

Dual UART

SC28L202

ISR – Interrupt Status Register

This register provides the status of all potential interrupt sources. The contents of this register are masked by the Interrupt Mask Register (IMR). If a bit in the ISR is a '1' and the corresponding bit in the IMR is also a '1' then INTRN output will be asserted (Low). If the corresponding bit in the IMR is a zero the state of the bit in the ISR has no effect on the INTRN output. Note that the IMR does not mask the reading of the ISR – the true status will be provided regardless of the contents of the IMR. The contents of this register are initialized to H'00' when the DUART is reset.

ISR	Bit 7	BIT 6	BIT 5	BIT 4	BIT 3	BIT 2	BIT 1	BIT 0
	INPUT PORT CHANGE	DELTA Break B	RxRDY/ FFULL B	TxRDY B	Counter Ready	Delta Break A	RxRDY/ FFULL A	TxRDY A
	0=not enabled 1=enabled	0=not enabled 1=enabled	0=not enabled 1=enabled	0=not enabled 1=enabled	0=not enabled 1=enabled	0=not enabled 1=enabled	0=not enabled 1=enabled	0=not enabled 1=enabled

ISR[7] – Input Port Change Status

This bit is a '1' when a change-of-state has occurred at the I/O(3:0)A or B inputs and that event has been selected to cause an interrupt by the programming of ACR[3:0]. The bit is cleared when the CPU reads the IPCR.

ISR[6] – Channel B Change In Break

This bit, when set, indicates that the Channel B receiver has detected the beginning or the end of a received break. It is reset when the CPU issues a Channel B 'reset break change interrupt' command.

ISR[5] – Rx B Interrupt

This bit indicates that the channel B receiver is interrupting according to the fill level programmed by the MR0 and MR1 registers. This bit has a different meaning than the receiver ready/full bit in the status register.

ISR[4] – Tx B Interrupt

This bit indicates that the channel B transmitter is interrupting according to the interrupt level programmed in the MR0[5:4] bits. This bit has a different meaning than the Tx RDY bit in the status register.

ISR[3] – Counter Ready.

In the counter mode, this bit is set when the counter reaches terminal count and is reset when the counter is stopped by a stop counter command.

In the timer mode, this bit is set once each cycle of the generated square wave (every other time that the counter/timer reaches zero count). The bit is reset by a stop counter command. The command, however, does not stop the counter/timer.

ISR[2] – Channel A Change in Break

This bit, when set, indicates that the Channel A receiver has detected the beginning or the end of a received break. It is reset when the CPU issues a Channel A 'reset break change interrupt' command.

ISR[1] – Rx A Interrupt

This bit indicates that the channel A receiver is interrupting according to the fill level programmed by the MR0 and MR1 registers. This bit has a different meaning than the receiver ready/full bit in the status register.

ISR[0] – Tx A Interrupt

This bit indicates that the channel A transmitter is interrupting according to the interrupt level programmed in the MR0[5:4] bits. This bit has a different meaning than the Tx RDY bit in the status register.

Dual UART

SC28L202

IMR – Interrupt Mask Register

The programming of this register selects which bits in the ISR causes an interrupt output. If a bit in the ISR is a '1' and the corresponding bit in the IMR is also a '1' the INTRN output will be asserted. If the corresponding bit in the IMR is a zero, the state of the bit in the ISR has no effect on the INTRN output. Note that the IMR does not mask the programmable interrupt outputs I/O3 B–I/O7 B or the reading of the ISR.

IMR	Bit 7	BIT 6	BIT 5	BIT 4	BIT 3	BIT 2	BIT 1	BIT 0
	INPUT PORT CHANGE	Delta Break B	RxRDY/ FFULL B	TxRDY B	Counter Ready	Delta Break A	RxRDY/ FFULL A	TxRDY A
	0=not enabled 1=enabled	0=not enabled 1=enabled	0=not enabled 1=enabled	0=not enabled 1=enabled	0=not enabled 1=enabled	0=not enabled 1=enabled	0=not enabled 1=enabled	0=not enabled 1=enabled

CPTU Counter Timer Preset Upper (Counter/Timer 0)

CPTU	Bit 7	BIT 6	BIT 5	BIT 4	BIT 3	BIT 2	BIT 1	BIT 0
	The upper eight (8) bits for the 16 bit counter timer preset register							

CTPL Counter –Timer Preset Lower (Counter/Timer 0)

CTPL	Bit 7	BIT 6	BIT 5	BIT 4	BIT 3	BIT 2	BIT 1	BIT 0
	The lower eight (8) bits for the 16 bit counter timer preset register							

CTVU Counter Timer Value Upper (Counter/Timer 0)

CPVL	Bit 7	BIT 6	BIT 5	BIT 4	BIT 3	BIT 2	BIT 1	BIT 0
	The lower eight (8) bits for the 16 bit counter timer value							

CTVL Counter –Timer Value Lower (Counter/Timer 0)

CTVL	Bit 7	BIT 6	BIT 5	BIT 4	BIT 3	BIT 2	BIT 1	BIT 0
	The lower eight (8) bits for the 16 bit counter timer value register							

Only the counter/timer 0 is available in the low order 16–position address map. Issuing the start command loads the C/T with the preset value. The Stop command resets the C/T ready bit in the ISR (Interrupt status Register) and captures the C/T value in the output latches of the C/T. In the special time out mode the start and stop commands are ignored. The 'start command is executed by a read at address 0xE; the stop at 0xF.

IVR Interrupt Vector register in 68K mode and General purpose read write register in the x86 mode

IVR	Bit 7	BIT 6	BIT 5	BIT 4	BIT 3	BIT 2	BIT 1	BIT 0
	The eight (8) bits of the interrupt vector in the 68K mode.							

IPR Input Port Register I/O(6:0) A

IPR	Bit 7	BIT 6	BIT 5	BIT 4	BIT 3	BIT 2	BIT 1	BIT 0
	Logical levels or the I/O[6:0] A, Bit 7 read as '1'							

Dual UART

SC28L202

OPCR Output Port Configuration Register. Controls [7:2] B

	Bit 7	BIT 6	BIT 5	BIT 4	BIT (3:2)	BIT (1:0)
	I/O7 B	I/O6 B	I/O5 B	I/O4 B	I/O3 B	I/O2 B
	0 = OPR[7] 1 = Tx RDY B	0 = OPR[6] 1 = Tx RDY A	0 = OPR[5] 1 = Rx RDY / FFULL B	0 = OPR[4] 1 = Rx RDY / FFULL A	00 = OPR[3] 01 = C/T OUTPUT 10 = Tx C B(1X) 11 = Rx C B(1X)	00 = OPR[2] 01 = Tx C A(16X) 10 = Tx C A(1X) 11 = Rx C A(1X)

NOTE: I/O0 B and I/O1 B output OPR(0) and OPR(1) respectively. Under program control of MR1 and MR2 the signals RTSN A for I/O0 B and RTSN B for I/O1 B may be assigned.

OPCR[7] – This bit programs the I/O7 B output to provide one of the following:

- 0 The complement of OPR[7].
- 1 The Channel B transmitter interrupt output which is the complement of ISR[4]. When in this mode I/O7 acts as an open-drain output. Note that this output is not masked by the contents of the IMR.

OPCR[6] – This bit programs the I/O6 B output to provide one of the following:

- 0 The complement of OPR[6].
- 1 The Channel A transmitter interrupt output which is the complement of ISR[0]. When in this mode I/O6 acts as an open-drain output. Note that this output is not masked by the contents of the IMR.

OPCR[5] – This bit programs the I/O5 B output to provide one of the following:

- 0 The complement of OPR[5].
- 1 The Channel B receiver interrupt output which is the complement of ISR[5]. When in this mode I/O5 acts as an open-drain output. Note that this output is not masked by the contents of the IMR.

OPCR[4] – This field programs the I/O4 B output to provide one of the following:

- 0 The complement of OPR[4].
- 1 The Channel A receiver interrupt output which is the complement of ISR[1]. When in this mode I/O4 acts as an

open-drain output. Note that this output is not masked by the contents of the IMR.

OPCR[3:2] – This bit programs the I/O3 B output to provide one of the following:

- 00 The complement of OPR[3].
- 01 The counter/timer output, in which case I/O3 acts as an open-drain output. In the timer mode, this output is a square wave at the programmed frequency. In the counter mode, the output remains high until terminal count is reached, at which time it goes low. The output returns to the high state when the counter is stopped by a stop counter command. Note that this output is not masked by the contents of the IMR.
- 10 The 1X clock for the Channel B transmitter that shifts the transmitted data. If data is not being transmitted, a free running 1X clock is output.
- 11 The 1X clock for the Channel B receiver that samples the received data. If data is not being received, a free running 1X clock is output.

OPCR[1:0] – This field programs the I/O2 B output to provide one of the following:

- 00 The complement of OPR[2].
- 01 The 16X clock for the Channel A transmitter. This is the clock selected by CSR A [3:0], and will be a 1X clock if CSR A [3:0] = 1111.
- 10 The 1X clock for the Channel A transmitter that shifts the transmitted data. If data is not being transmitted, a free running 1X clock is output.
- 11 The 1X clock for the Channel A receiver that samples the received data. If data is not being received, a free running 1X clock is output.

Dual UART

SC28L202

SOPR – Set Bits in the OPR

Ones in the byte written to this register will cause the corresponding bit positions in the OPR to set to 1. Zeros have no effect. This allows software to set individual bits without keeping a copy of the OPR bit configuration.

Set OPR Bits	Bit 7	BIT 6	BIT 5	BIT 4	BIT 3	BIT 2	BIT 1	BIT 0
	I/O7 B	I/O6 B	I/O5 B	I/O4 B	I/O3 B	I/O2 B	I/O1 B	I/O0 B
	1=set bit 0=no change	1=set bit 0=no change	1=set bit 0=no change	1=set bit 0=no change	1=set bit 0=no change	1=set bit 0=no change	1=set bit 0=no change	1=set bit 0=no change

ROPR – Reset Bits in the OPR

Ones in the byte written to the ROPR will cause the corresponding bit positions in the OPR to set to 0. Zeros have no effect. This allows software to reset individual bits with our keeping a copy of the OPR bit configuration.

Reset OPR Bits	Bit 7	BIT 6	BIT 5	BIT 4	BIT 3	BIT 2	BIT 1	BIT 0
	I/O7 B	I/O6 B	I/O5 B	I/O4 B	I/O3 B	I/O2 B	I/O1 B	I/O0 B
	1=reset bit 0=no change	1=reset bit 0=no change	1=reset bit 0=no change	1=reset bit 0=no change	1=reset bit 0=no change	1=reset bit 0=no change	1=reset bit 0=no change	1=reset bit 0=no change

OPR Output Port Register

The bits in the OPR register are controlled by the use of the SOPR and ROPR commands. The output pins (OP pins) drive the compliment of the data stored in this register.

OPR	Bit 7	BIT 6	BIT 5	BIT 4	BIT 3	BIT 2	BIT 1	BIT 0
	I/O7 B	I/O6 B	I/O5 B	I/O4 B	I/O3 B	I/O2 B	I/O1 B	I/O0 B
	0=Pin High 1=Pin Low	0=Pin High 1=Pin Low	0=Pin High 1=Pin Low	0=Pin High 1=Pin Low	0=Pin High 1=Pin Low	0=Pin High 1=Pin Low	0=Pin High 1=Pin Low	0=Pin High 1=Pin Low

Dual UART

SC28L202

REGISTER MAPS

The registers of the SC28L202 are **loosely** partitioned into two groups: those used in controlling data channels and those used in handling the actual data flow and status. Below is shown the general configuration of all the register addressed. The 'Register Map Summary' shows the configuration of the lower four bits of the address that is the same for **the individual UARTs**. It also shows the addresses for the several in the address space of UART A and UART B that apply to the total chip configuration. The 'Register Map Detail' shows the use of every address in the 8-bit address space.

Any programming using the SC28L202 as it is intended would always use the address space form 0x10 through 0x7F. For the

most part, differences in address between channel A and B differ by 0x08.

The first address from 0x00 to 0x0F refer to the legacy code for previous Philips/Signetics two channel UARTs (DUARTs). This feature is directed to the SC26C92. That part has 89-byte FIFOs, but powers up to look like it has a 3-byte receiver FIFO and a 1-byte transmitter FIFO. Other control registers structures of legacy parts are compatible back to the SCN2681.

Registers that configure the whole chip are denoted by a '•' symbol.

REGISTER MAP DETAIL (based on 28L92)

NOTE: Addresses 0x00 to 0x0F represent the 'C92 Register' map.

A[6:0]	READ	WRITE
	DEFAULT. The first 16 read and write locations are legacy code for other '92-type UARTs.	
000 0000 (0x00)	Mode Register (MR0 A, MR1 A, MR2 A) DEFAULT	Mode Register (MR0 A, MR1 A, MR2 A) DEFAULT
000 0001 (0x01)	Status Register (SR A)	Clock Select Register (CSR A) DEFAULT
000 0010 (0x02)		Command Register (CR A) DEFAULT
000 0011 (0x03)	Receiver FIFO Register (RxFIFO A)	Transmitter FIFO Register (TxFIFO A)
000 0100 (0x04)	Input Port Change Register (IPCR) DEFAULT	• Auxiliary Control Register (ACR) DEFAULT
000 0101 (0x05)	• Interrupt Status Register (ISR) DEFAULT	• Interrupt Mask Register (IMR) DEFAULT
000 0110 (0x06)	Counter Timer Value Register Upper (CTVU 0)	Counter Timer Preset Register Upper (CTPU 0)
000 0111 (0x07)	Counter Timer Value Register Lower (CTVL 0)	Counter Timer Preset Register Lower (CTPL 0)
000 1000 (0x08)	Mode Register (MR0 B, MR1 B, MR2 B) DEFAULT	Mode Register (MR0 B, MR1 B, MR2 B) DEFAULT
000 1001 (0x09)	Status Register (SR B)	Clock Select Register (CSR B) DEFAULT
000 1010 (0x0A)		Command Register (CR B) DEFAULT
000 1011 (0x0B)	Receiver FIFO Register (RxFIFO B)	Transmitter FIFO Register (TxFIFO B)
000 1100 (0x0C)	• Interrupt Vector Register (IVR) GLOBAL	• Interrupt Vector Register (IVR) GLOBAL
000 1101 (0x0D)	Input Port Register (IPR) I/O(6:0) A	Output Port Configuration Register (OPCR) I/O(7:2)B
000 1110 (0x0E)	Start Counter Command DEFAULT C/T 0	Set Output Port Register (SOPR) I/O(7:0)B
000 1111 (0x0F)	Stop Counter Command DEFAULT C/T 0	Reset Output Port Register (ROPR) I/O(7:0)B
	EXTENSION	
001 0000 (0x10)	Receiver FIFO Fill Level (RxFL A)	Set Output Port Register (SOPR A)
001 0001 (0x11)	Transmitter FIFO Empty level (TxEL A)	Reset Output Port Register (ROPR A)
001 0010 (0x12)	• Enhanced Operation Status (EOS)	Command Register Extension (CRx A)
001 0011 (0x13)	Input Port Change Register Upper (IPCRU A)	I/O Port Configuration Register 0 (I/OPCR 0)
001 0100 (0x14)	Input Port Change Register Lower (IPCRL A)	I/O Port Configuration Register 1 (I/OPCR 1)
001 0101 (0x15)	Input Port Register (IPR A)	
001 0110 (0x16)	Counter Timer Value Register Upper (CTVU 0)	Counter Timer Preset Register Upper (CTPU 0)
001 0111 (0x17)	Counter Timer Value Register Lower (CTVL 0)	Counter Timer Preset Register Lower (CTPL 0)
001 1000 (0x18)	Receiver FIFO Fill Level (RxFL B)	Set Output Port Register (SOPR B)
001 1001 (0x19)	Transmitter FIFO Empty level (TxEL B)	Reset Output Port Register (ROPR B)
001 1010 (0x1A)		Command Register Extension (CRx B)
001 1011 (0x1B)	Input Port Change Register Upper (IPCRU B)	I/O Port Configuration Register 2 (I/OPCR 2)
001 1100 (0x1C)	Input Port Change Register Lower (IPCRL B)	I/O Port Configuration Register 3 (I/OPCR 3)
001 1101 (0x1D)	Input Port Register (IPR B)	
001 1110 (0x1E)	Counter Timer Value Register Upper (CTVU 1)	Counter Timer Preset Register Upper (CTPU 1)
001 1111 (0x1F)	Counter Timer Value Register Lower (CTVL 1)	Counter Timer Preset Register Lower (CTPL 1)

Dual UART

SC28L202

REGISTER MAP

NOTE: The register maps for channels A and B (UARTs A and B) contain some control registers that configure the entire chip.

These are denoted by a '•' symbol

A[6:0]	READ	WRITE
	EXTENSION	
010 0000 (0x20)	Mode Register 0 (MR0 A) NEW ADDRESS	Mode Register 0 (MR0 A) NEW ADDRESS
010 0001 (0x21)	Mode Register 1 (MR1 A) NEW ADDRESS	Mode Register 1 (MR1 A) NEW ADDRESS
010 0010 (0x22)	Mode Register 2 (MR2 A) NEW ADDRESS	Mode Register 2 (MR2 A) NEW ADDRESS
010 0011 (0x23)	Mode Register 3 (MR3 A) NEW ADDRESS	Mode Register 3 (MR3 A) NEW ADDRESS
010 0100 (0x24)	Counter/Timer Clock Source (CTCS 0)	Counter/Timer Clock Source (CTCS 0)
010 0101 (0x25)	Interrupt Status Register (ISR A)	Interrupt Mask Register (IMR A)
010 0110 (0x26)	Programmable BRG Preset Lower (PBRGPL 0)	Programmable BRG Preset Lower (PBRGPL 0)
010 0111 (0x27)	Programmable BRG Preset Upper (PBRGPU 0)	Programmable BRG Preset Upper (PBRGPU 0)
010 1000 (0x28)	Mode Register 0 (MR0 B) NEW ADDRESS	Mode Register 0 (MR0 B) NEW ADDRESS
010 1001 (0x29)	Mode Register 1 (MR1 B) NEW ADDRESS	Mode Register 1 (MR1 B) NEW ADDRESS
010 1010 (0x2A)	Mode Register 2 (MR2 B) NEW ADDRESS	Mode Register 2 (MR2 B) NEW ADDRESS
010 1011 (0x2B)	Mode Register 3 (MR3 B) NEW ADDRESS	Mode Register 3 (MR3 B) NEW ADDRESS
010 1100 (0x2C)	Counter/Timer Clock Source (CTCS 1)	Counter/Timer Clock Source (CTCS 1)
010 1101 (0x2D)	Interrupt Status Register (ISR B)	• Interrupt Mask Register (IMR B)
010 1110 (0x2E)		
010 1111 (0x2F)		
011 0000 (0x30)	Receiver Clock Select Register (RxCSR A)	Receiver Clock Select Register (RxCSR A)
011 0001 (0x31)	Transmitter Clock Select Register (TxCSR A)	Transmitter Clock Select Register (TxCSR A)
011 0010 (0x32)	Input Port Change Interrupt Enable (IPCE A)	Input Port Change Interrupt Enable (IPCE A)
011 0011 (0x33)	Programmable BRG Clock Source (PBRGCS)	Programmable BRG Clock Source (PBRGCS)
011 0100 (0x34)		
011 0101 (0x35)		
011 0110 (0x36)	Programmable BRG Preset Lower (PBRGPL 1)	Programmable BRG Preset Lower (PBRGPL 1)
011 0111 (0x37)	Programmable BRG Preset Upper (PBRGPU 1)	Programmable BRG Preset Upper (PBRGPU 1)
011 1000 (0x38)	Receiver Clock Select Register (RxCSR B)	Receiver Clock Select Register (RxCSR B)
011 1001 (0x39)	Transmitter Clock Select Register (TxCSR B)	Transmitter Clock Select Register (TxCSR B)
011 1010 (0x3A)	Input Port Change Interrupt Enable (IPCE B)	Input Port Change Interrupt Enable (IPCE B)
011 1011 (0x3B)		
011 1100 (0x3C)		
011 1101 (0x3D)		
011 1110 (0x3E)		
011 1111 (0x3F)		

Dual UART

SC28L202

REGISTER MAP

NOTE: The register maps for channels A and B (UARTs A and B) contain some control registers that configure the entire chip.

These are denoted by a '•' symbol

A[6:0]	READ	WRITE
	NEW	
100 0000 (0x40)	System Enable Status (SES A)	Watchdog, Character and X Enable(WCXER A)
100 0001 (0x41)	Xon Character Register (XonCR A)	Xon Character Register (XonCR A)
100 0010 (0x42)	Xoff Character Register (XoffCR A)	Xoff Character Register (XoffCR A)
100 0011 (0x43)	Address Recognition Character (ARCR A)	Address Recognition Character (ARCR A)
100 0100 (0x44)	Xon/Xoff Interrupt Status Register (XISR A)	
100 0101 (0x45)	Special Function Register (SFR A)	Special Function Register (SFR A)
100 0110 (0x46)	Receiver FIFO Interrupt Level (RxFIL A)	Receiver FIFO Interrupt Level (RxFIL A)
100 0111 (0x47)	Transmitter FIFO Interrupt Level (TxFIL A)	Transmitter FIFO Interrupt Level (TxFIL A)
100 1000 (0x48)	System Enable Status (SES B)	Watchdog, Character and X Enable (WCXER B)
100 1001 (0x49)	Xon Character Register (XonCR B)	Xon Character Register (XonCR B)
100 1010 (0x4A)	Xoff Character Register (XoffCR B)	Xoff Character Register (XoffCR B)
100 1011 (0x4B)	Address Recognition Character (ARCR B)	Address Recognition Character (ARCR B)
100 1100 (0x4C)	Xon/Xoff Interrupt Status Register (XISR B)	
100 1101 (0x4D)	Special Function Register (SFR B)	Special Function Register (SFR B)
100 1110 (0x4E)	Receiver FIFO Interrupt Level (RxFIL B)	Receiver FIFO Interrupt Level (RxFIL B)
100 1111 (0x4F)	Transmitter FIFO Interrupt Level (TxFIL B)	Transmitter FIFO Interrupt Level (TxFIL B)
101 0000 (0x50)	Bidding Control Register – Break Change (BCRBRK A)	Bidding Control Register – Break Change (BCRBRK A)
101 0001 (0x51)	Bidding Control Register – Change of State (BCRCOS A)	Bidding Control Register – Change of State (BCRCOS A)
101 0010 (0x52)	Bidding Control Register – Counter/Timer (BCRCT A)	Bidding Control Register – Counter/Timer (BCRCT A)
101 0011 (0x53)	Bidding Control Register – Xon (BCRx A)	Bidding Control Register – Xon (BCRx A)
101 0100 (0x54)	Bidding Control Register – Address (BCRA A)	Bidding Control Register – Address (BCRA A)
101 0101 (0x55)	Bidding Control Register – Loop Back Error (BCRLBE A)	Bidding Control Register – Loop Back Error (BCRLBE A)
101 0110 (0x56)		
101 0111 (0x57)		
101 1000 (0x58)	Bidding Control Register – Break Change (BCRBRK B)	Bidding Control Register – Break Change (BCRBRK B)
101 1001 (0x59)	Bidding Control Register – Change of State (BCRCOS B)	Bidding Control Register – Change of State (BCRCOS B)
101 1010 (0x5A)	Bidding Control Register – Counter/Timer (BCRCT B)	Bidding Control Register – Counter/Timer (BCRCT B)
101 1011 (0x5B)	Bidding Control Register – Xon (BCRx B)	Bidding Control Register – Xon (BCRx B)
101 1100 (0x5C)	Bidding Control Register – Address (BCRA B)	Bidding Control Register – Address (BCRA B)
101 1101 (0x5D)	Bidding Control Register – Loop Back Error (BCRLBE B)	Bidding Control Register – Loop Back Error (BCRLBE B)
101 1110 (0x5E)		
101 1111 (0x5F)		

Dual UART

SC28L202

REGISTER MAP

NOTE: The register maps for channels A and B (UARTs A and B) contain some control registers that configure the entire chip.

These are denoted by a '•' symbol

A[6:0]	READ	WRITE
	GLOBAL	
110 0000 (0x60)	• Interrupt Control Register (ICR)	• Interrupt Control Register (ICR)
110 0001 (0x61)	• Current Interrupt Register (CIR)	• Update Current Interrupt Register (UCIR)
110 0010 (0x62)		
110 0011 (0x63)		
110 0100 (0x64)	• Interrupt Vector Register (IVR)	• Interrupt Vector Register (IVR)
110 0101 (0x65)		
110 0110 (0x66)	• Global Chip Configuration Register (GCCR)	• Global Chip Configuration Register (GCCR)
110 0111 (0x67)	• Test & Revision Register (TRR)	• Test & Revision Register (TRR)
110 1000 (0x68)		
110 1001 (0x69)		
110 1010 (0x6A)		
110 1011 (0x6B)		
110 1100 (0x6C)		
110 1101 (0x6D)		
110 1110 (0x6E)		
110 1111 (0x6F)		
111 0000 (0x70)	• Global Interrupt Channel Register (GICR)	
111 0001 (0x71)	• Global Interrupt Byte Count Register (GIBCR)	
111 0010 (0x72)	• Global Interrupt Type Register (GITR)	
111 0011 (0x73)	• Global RxFIFO Register (GRxFIFO)	• Global TxFIFO Register (GTxFIFO)
111 0100 (0x74)		
111 0101 (0x75)		
111 0110 (0x76)		
111 0111 (0x77)	• Scan Test Control Register (STCR)	• Scan Test Control Register (STCR)
111 1000 (0x78)		
111 1001 (0x79)		
111 1010 (0x7A)		
111 1011 (0x7B)		
111 1100 (0x7C)		
111 1101 (0x7D)		
111 1110 (0x7E)		
111 1111 (0x7F)		

Dual UART

SC28L202

GENERAL TIMING CONSIDERATIONS FOR THE SC28L202

This part is designed to operate in both the Intel (80xxx) and Motorola (68000) environments. When the Motorola mode is used, the definition, function, polarity and timing of some pins change. See Figure 3 on page 61.

ABSOLUTE MAXIMUM RATINGS¹

SYMBOL	PARAMETER	RATING	UNIT
T _{amb}	Operating ambient temperature range ²	Note 4	°C
T _{stg}	Storage temperature range	-65 to +150	°C
V _{CC}	Voltage from V _{CC} to GND ³	-0.5 to +7.0	V
V _{SS}	Voltage from any pin to GND ³	-0.5 to V _{CC} +0.5	V
P _D	Maximum power dissipation (TSSOP56)	2.4	W
R _{th(j-c)}	Thermal resistance, junction to case (TSSOP56)	20	W/°C
R _{th(j-a)}	Thermal resistance, junction to ambient (TSSOP56)	83	W/°C

NOTES:

- Stresses above those listed under Absolute Maximum Ratings may cause permanent damage to the device. This is a stress rating only and functional operation of the device at these or any other condition above those indicated in the operation section of this specification is not implied.
- For operating at elevated temperatures, the device must be derated based on +150°C maximum junction temperature.
- This product includes circuitry specifically designed for the protection of its internal devices from damaging effects of excessive static charge. Nonetheless, it is suggested that conventional precautions be taken to avoid applying any voltages larger than the rated maxima.
- Parameters are valid over specified temperature range.

DC ELECTRICAL CHARACTERISTICS^{1, 2, 3} (NOMINAL 5 V)

V_{CC} = 5 V ± 10%; T_{amb} = -40 °C to +85 °C, unless otherwise specified

SYMBOL	PARAMETER	TEST CONDITIONS	LIMITS			UNIT
			Min	Typ	Max	
V _{IL}	Input low voltage		-	-	0.8	V
V _{IH}	Input high voltage (except X1/SCLK)	-40 °C to +85 °C	2.4	-	-	V
V _{IH}	Input high voltage (X1/SCLK)		0.8*V _{CC}	-	-	V
V _{OL}	Output low voltage	I _{OL} = 4 mA	-	-	0.4	V
V _{OH}	Output high voltage (except open drain outputs) ⁴	I _{OH} = -400 µA	V _{CC} - 0.5	-	-	V
I _{IX1PD}	X1/SCLK input current – power-down	V _{IN} = 0 to V _{CC}	-1	-	1	µA
I _{ILX1}	X1/SCLK input low current – operating	V _{IN} = 0 V	-30	-	0	µA
I _{IHX1}	X1/SCLK input high current – operating	V _{IN} = V _{CC}	0	-	30	µA
I _i	Input leakage current Input port and IACKN pins ⁵ All other pins ⁵	V _{IN} = 0 to V _{CC}	-10	-	1	µA
		V _{IN} = 0 to V _{CC}	-1	-	1	µA
I _{OZH}	Output off current high, 3-State data bus	V _{IN} = V _{CC}	-	-	5	µA
I _{OZL}	Output off current low, 3-State data bus	V _{IN} = 0 V	-5	-	-	µA
I _{ODL}	Open-drain output low current in off-state	V _{IN} = 0 V	-10	-	-	µA
I _{ODH}	Open-drain output high current in off-state	V _{IN} = V _{CC}	-	-	1	µA
I _{CC}	Power supply current ⁶ Operating mode Power-down mode	CMOS input levels; freq. = 10 MHz	-	9	20	mA
		CMOS input levels; freq. = 0 MHz	-	200	500	µA

NOTES:

- Parameters are valid over specified temperature range.
- All voltage measurements are referenced to ground (GND). For testing, all inputs swing between 0.4 V and 3.0 V with a transition time of 5 ns maximum. For X1/SCLK this swing is between 0.4 V and 4.4 V. All time measurements are referenced at input voltages of 0.8 V and 2.0 V and output voltages of 0.8 V and 2.0 V, as appropriate.
- Typical values are at +25 °C, typical supply voltages, and typical processing parameters.
- Test conditions for outputs: C_L = 85 pF, except interrupt outputs. Test conditions for interrupt outputs: C_L = 85 pF, R_L = 2.7 kΩ to V_{CC}.
- I/O port and IACKN pins have active pull-up transistors that will source a typical 2 µA from V_{CC} when they are at V_{SS}. At V_{CC} they source 0.0 µA.
- All outputs are disconnected. Inputs are switching between CMOS levels of V_{CC} - 0.2 V and V_{SS} + 0.2 V.

Dual UART

SC28L202

AC CHARACTERISTICS^{1, 2, 3} (NOMINAL 5 V)

$V_{CC} = 5 V \pm 10\%$; $T_{amb} = -40\text{ }^{\circ}\text{C}$ to $+85\text{ }^{\circ}\text{C}$ unless otherwise specified.

Symbol	Parameter	LIMITS ⁴			UNIT
		Min	Typ	Max	
Reset timing (See Figures 4, 5)					
t_{RES}	Reset Pulse Width	100	–	–	ns
Bus Timing⁵ (See Figure 6)					
t_{AS}	A6–A0 set-up time to RDN, WRN Low	10	–	–	ns
t_{AH}	A6–A0 hold time from RDN, WRN low	10	–	–	ns
t_{CS}	CEN set-up time from RDN. WRN LOW	0	–	–	ns
t_{CH}	CEN hold time from RDN. WRN HIGH	0	–	–	ns
t_{RW}	WRN, RDN pulse width (Low time)	30	–	–	ns
t_{DD}	Data valid after RDN low (85 pf load)	–	–	30	ns
t_{DA}	RDN low to data bus active ⁶	0	–	–	ns
t_{DF}	Data bus floating after RDN or CEN high	–	–	15	ns
t_{DI}	RDN or CEN high to data bus invalid ⁷	0	–	–	ns
t_{DS}	Data bus set-up time before WRN or CEN high (write cycle)	15	–	–	ns
t_{DH}	Data hold time after WRN high	0	–	–	ns
t_{RWD}	High time between read and/or write cycles ^{5,7}	10	–	–	ns
Port Timing⁵ (See Figure 10)					
t_{PS}	Port in set-up time before RDN low (Read IP ports cycle)	0	–	–	ns
t_{PH}	Port in hold time after RDN high	0	–	–	ns
t_{PD}	OP port valid after WRN or CEN high (OPR write cycle)	–	–	30	ns
Interrupt Timing (See Figure 11)					
t_{IR}	INTRN (or I/O[7:3]B when used as interrupts) negated from:				
	Read Rx FIFO (RxRDY/FFULL interrupt)	–	–	30	ns
	Write Tx FIFO (TxRDY interrupt)	–	–	30	ns
	Reset Command (delta break change interrupt)	–	–	30	ns
	Stop C/T command (Counter/timer interrupt)	–	–	30	ns
	Read IPCR (delta input port change interrupt)	–	–	30	ns
	Write IMR (Clear of change interrupt mask bit(s))	–	–	30	ns
Clock Timing (See Figures 12, 13, 14)					
t_{CLK}	X1/SCLK high or low time	8	–	–	ns
f_{CLK}	X1/SCLK frequency (7.0 to 16.2 MHz with crystal)	1.0	–	50	MHz
t_{CTC}	C/T Clk (IP2) high or low time (C/T external clock input)	10	–	–	ns
f_{CTC}	C/T Clk (IP2) frequency ⁸	0	–	20	MHz
t_{RX}	RxC high or low time (16X)	8	–	–	ns
f_{RX}	RxC Frequency (16X)	0	–	50	MHz
	RxC Frequency (1X) ^{8,9}	0	–	3	MHz
t_{TX}	TxC High or low time (16X)	8	–	–	ns
f_{TX}	TxC frequency (16X)	–	–	50	MHz
	TxC frequency (1X) ^{8,9}	0	–	3	MHz
Transmitter Timing (See Figures 13, 15)					
t_{TXD}	TxD output delay from TxC low (TxC input pin)	–	–	30	ns
t_{TCS}	Output delay from TxC output pin low to TxD data output	–	–	30	ns
Receiver Timing (See Figures 14, 16)					
t_{RXS}	RxD data set-up time to RxC high	20	–	–	ns
t_{RXH}	RxD data hold time from RxC high	20	–	–	ns

Dual UART

SC28L202

Symbol	Parameter	LIMITS ⁴			UNIT
		Min	Typ	Max	
68000 or Motorola bus timing (See Figures 7, 8, 9)					
t _{CS(mot)}	RWN set-up time to CEN LOW	5	–	–	ns
t _{DS(mot)}	Data bus set-up time before X1 HIGH ¹⁰	10	–	–	ns
t _{DH(mot)}	Data hold time after CEN HIGH	0	–	–	ns
t _{AS(mot)}	Address set-up time to CEN LOW	10	–	–	ns
t _{AH(mot)}	Address hold time from CEN LOW	10	–	–	ns
t _{DD(mot)}	Data valid after CEN LOW	–	–	35	ns
t _{RWD(mot)}	HIGH time between read and/or write cycles ^{5, 7}	10	–	–	ns
t _{DCR}	DACKN LOW (read cycle) from X1 HIGH	–	–	35	ns
t _{DCW}	DACKN LOW (write cycle) from X1 HIGH	–	–	25	ns
t _{DAT}	DACKN high impedance from CEN or IACKN HIGH	–	–	15	ns
t _{CSC}	CEN or IACKN set-up time to X1 HIGH for minimum DACKN cycle	10	–	–	ns

NOTES:

- Parameters are valid over specified temperature range.
- All voltage measurements are referenced to ground (GND). For testing, all inputs swing between 0.4 V and 3.0 V with a transition time of 5 ns maximum. For X1/SCLK this swing is between 0.4 V and 4.4 V. All time measurements are referenced at input voltages of 0.8 V and 2.0 V and output voltages of 0.8 V and 2.0 V, as appropriate.
- Test conditions for outputs: C_L = 85 pF, except interrupt outputs. Test conditions for interrupt outputs: C_L = 85 pF, R_L = 2.7 kΩ to V_{CC}.
- Typical values are at +25 °C, typical supply voltages, and typical processing parameters.
- Timing is illustrated and referenced to the WRN and RDN inputs. Also, CEN may be the 'strobing' input. CEN and RDN (also CEN and WRN) are ORed internally. The signal asserted last initiates the cycle and the signal negated first terminates the cycle.
- Guaranteed by characterization of sample units.
- If CEN is used as the 'strobing' input, the parameter defines the minimum High times between one CEN and the next. The RDN signal must be negated for t_{RWD} time to guarantee that any status register changes are valid.
- Minimum frequencies are not tested but are guaranteed by design.
- Clocks for 1X mode should be reasonably symmetrical.
- Data is usually set up with respect to CEN going LOW—the leading edge of CEN. This mode strongly implies the use of DACKN. (Its use is not strictly required.) DACKN is derived from the X1/SCLK input. It is seldom that the system clocks that ultimately drive the CEN, address and RWN signals are synchronous to the X1/SCLK. If address, data, RWN are set up **before** CEN goes LOW and hold through DACKN, the timing parameters above will be guaranteed.

Dual UART

SC28L202

DC ELECTRICAL CHARACTERISTICS^{1, 2, 3} (NOMINAL 3.3 V)

$V_{CC} = 3.3 \text{ V} \pm 10\%$; $T_{amb} = -40 \text{ }^\circ\text{C}$ to $+85 \text{ }^\circ\text{C}$ unless otherwise specified

SYMBOL	PARAMETER	TEST CONDITIONS	LIMITS			UNIT
			Min	Typ	Max	
V_{IL}	Input low voltage		–	–	$0.2 \cdot V_{CC}$	V
V_{IH}	Input high voltage (X1/SCLK)		$0.8 \cdot V_{CC}$	–	–	V
V_{IH}	Input high voltage (X1/SCLK)		2.4	–	–	V
V_{OL}	Output low voltage	$I_{OL} = 4 \text{ mA}$	–	–	0.4	V
V_{OH}	Output high voltage (except OD outputs) ⁴	$I_{OH} = -400 \text{ } \mu\text{A}$	$V_{CC} - 0.5$	–	–	V
I_{IX1PD}	X1/SCLK input current – power down	$V_{IN} = 0 \text{ V}$ to V_{CC}	–1	–	1	μA
I_{ILX1}	X1/SCLK input low current – operating	$V_{IN} = 0 \text{ V}$	–30	–	0	μA
I_{IHX1}	X1/SCLK input high current – operating	$V_{IN} = V_{CC}$	0	–	30	μA
I_i	Input leakage current I/O port pins and IACKN All other pins ⁵	$V_{IN} = 0 \text{ V}$ to V_{CC}	–10	–	1	μA
		$V_{IN} = 0 \text{ V}$ to V_{CC}	–1	–	1	μA
I_{OZH}	Output off current high, 3–State data bus	$V_{IN} = V_{CC}$	0	–	5	μA
I_{OZL}	Output off current low, 3–State data bus	$V_{IN} = 0 \text{ V}$	–5	–	–	μA
I_{ODL}	Open–drain output low current in off–state	$V_{IN} = 0 \text{ V}$	–10	–	–	μA
I_{ODH}	Open–drain output high current in off–state	$V_{IN} = V_{CC}$	–	–	1	μA
I_{CC}	Power supply current ⁶ Operating mode Power down mode	CMOS input levels; freq. = 10 MHz	–	9	20	mA
		CMOS input levels; freq. = 0 MHz	–	200	500	μA

NOTES:

- Parameters are valid over specified temperature range.
- All voltage measurements are referenced to ground (GND). For testing, all inputs swing between 0.4 V and 3.0 V with a transition time of 5 ns maximum. For X1/SCLK this swing is between 0.4 V and 4.4 V. All time measurements are referenced at input voltages of 0.8 V and 2.0 V and output voltages of 0.8 V and 2.0 V, as appropriate.
- Typical values are at $+25 \text{ }^\circ\text{C}$, typical supply voltages, and typical processing parameters.
- Test conditions for outputs: $C_L = 85 \text{ pF}$, except interrupt outputs. Test conditions for interrupt outputs: $C_L = 85 \text{ pF}$, $R_L = 2.7 \text{ k}\Omega$ to V_{CC} .
- I/O port pins have active pull-up transistors that will source a typical $2 \text{ } \mu\text{A}$ from V_{CC} when they are at V_{SS} . These pins at V_{CC} source $0.0 \text{ } \mu\text{A}$.
- All outputs are disconnected. Inputs are switching between CMOS levels of $V_{CC} - 0.2 \text{ V}$ and $V_{SS} + 0.2 \text{ V}$.

Dual UART

SC28L202

AC CHARACTERISTICS^{1, 2, 3} (NOMINAL 3.3 V)V_{CC} = 3.3 V ± 10%; T_{amb} = – 40 °C to +85 °C unless otherwise specified

Symbol	Parameter	LIMITS ⁴			UNIT
		Min	Typ	Max	
Reset timing (See Figures 4, 5)					
t _{RES}	Reset Pulse Width	100	–	–	ns
Bus Timing (See Figure 6)					
t _{AS}	A6–A0 set-up time to RDN, WRN Low	10	–	–	ns
t _{AH}	A6–A0 hold time from RDN, WRN low	10	–	–	ns
t _{CS}	CEN set-up time to RDN, WRN LOW	0	–	–	ns
t _{CH}	CEN Hold time from RDN, WRN HIGH	0	–	–	ns
t _{RW}	WRN, RDN pulse width (Low time)	40	–	–	ns
t _{DD}	Data valid after RDN low (125 pF load) See load table for smaller loads	–	–	40	ns
t _{DA}	RDN low to data bus active	0	–	–	ns
t _{DF}	Data bus floating after RDN or CEN high	–	–	15	ns
t _{DS}	Data bus set-up time before WRN or CEN high (write cycle)	15	–	–	ns
t _{DH}	Data hold time after WRN high	0	–	–	ns
t _{RWD}	High time between read and/or write cycles	10	–	–	ns
Port Timing (See Figure 10)					
t _{PS}	Port in set-up time before RDN low (Read IP ports cycle)	0	–	–	ns
t _{PH}	Port in hold time after RDN high	0	–	–	ns
t _{PD}	OP port valid after WRN or CEN high (OPR write cycle)	–	–	40	ns
Interrupt Timing (See Figure 11)					
t _{IR}	INTRN (or I/O(7:3)B when used as interrupts) negated from: Read RxFIFO (RxRDY/FFULL interrupt) Write TxFIFO (TxRDY interrupt) Reset Command (delta break change interrupt) Stop C/T command (Counter/timer interrupt) Read IPCR (delta input port change interrupt) Write IMR (Clear of change interrupt mask bit(s))	–	–	40	ns
		–	–	40	ns
		–	–	40	ns
		–	–	40	ns
		–	–	40	ns
		–	–	40	ns
Clock Timing (See Figures 12, 13, 14)					
t _{CLK}	X1/SCLK high or low time	10	–	–	ns
f _{CLK}	X1/SCLK frequency (7.0 to 16.2 MHz with crystal)	1	–	34	MHz
t _{CTC}	C/T Clk (IP2) high or low time (C/T external clock input)	10	–	–	ns
f _{CTC}	C/T Clk (IP2) frequency	0	–	8	MHz
t _{RX}	RxC high or low time (16X)	10	–	–	ns
f _{RX}	RxC Frequency (16X)	0	–	24	MHz
	RxC Frequency (1x)	0	–	1.5	MHz
t _{TX}	TxC High or low time (16X)	10	–	–	ns
f _{TX}	TxC frequency (16X)	0	–	24	MHz
	TxC frequency (1X)	0	–	1.5	MHz
Transmitter Timing (See Figures 13, 15)					
t _{TXD}	TxD output delay from TxC low (TxC input pin)	–	–	40	ns
t _{TCS}	Output delay from TxC output pin low to TxD data output	–	–	40	ns
Receiver Timing (See Figures 14, 16)					
t _{RXS}	RxD data set-up time to RxC high	20	–	–	ns
t _{RXH}	RxD data hold time from RxC high	20	–	–	ns

Dual UART

SC28L202

Symbol	Parameter	LIMITS ⁴			UNIT
		Min	Typ	Max	
68000 or Motorola bus timing (See Figures 7, 8, 9)					
t _{CS(mot)}	RWN set-up time to CEN LOW	5	–	–	ns
t _{DS(mot)}	Data bus set-up time before X1 HIGH	10	–	–	ns
t _{DH(mot)}	Data hold time after CEN HIGH	0	–	–	ns
t _{AS(mot)}	Address set-up time to CEN LOW	10	–	–	ns
t _{AH(mot)}	Address hold time from CEN LOW	10	–	–	ns
t _{DD(mot)}	Data valid after CEN LOW	–	–	45	ns
t _{RWD(mot)}	HIGH time between read and/or write cycles ^{5, 7}	10	–	–	ns
t _{DCR}	DACKN Low (read cycle) from X1 High	–	–	35	ns
T _{DCW}	DACKN Low (write cycle) from X1 High	–	–	30	ns
t _{DAT}	DACKN High impedance from CEN or IACKN high	–	–	15	ns
t _{CSC}	CEN or IACKN set-up time to X1 high for minimum DACKN cycle	10	–	–	ns

NOTES:

- Parameters are valid over specified temperature range.
- All voltage measurements are referenced to ground (GND). For testing, all inputs swing between 0.4 V and 3.0 V with a transition time of 5 ns maximum. For X1/SCLK this swing is between 0.4 V and 4.4 V. All time measurements are referenced at input voltages of 0.8 V and 2.0 V and output voltages of 0.8 V and 2.0 V, as appropriate.
- Test conditions for outputs: C_L = 85 pF, except interrupt outputs. Test conditions for interrupt outputs: C_L = 85 pF, R_L = 2.7 kΩ to V_{CC}.
- Typical values are at +25 °C, typical supply voltages, and typical processing parameters.
- Timing is illustrated and referenced to the WRN and RDN inputs. Also, CEN may be the 'strobing' input. CEN and RDN (also CEN and WRN) are ORed internally. The signal asserted last initiates the cycle and the signal negated first terminates the cycle.
- Guaranteed by characterization of sample units.
- If CEN is used as the 'strobing' input, the parameter defines the minimum High times between one CEN and the next. The RDN signal must be negated for t_{RWD} time to guarantee that any status register changes are valid.
- Minimum frequencies are not tested but are guaranteed by design.
- Clocks for 1X mode should be reasonably symmetrical.
- Data is usually set up with respect to CEN going LOW—the leading edge of CEN. This mode strongly implies the use of DACKN. (Its use is not strictly required.) DACKN is derived from the X1/SCLK input. It is seldom that the system clocks that ultimately drive the CEN, address and RWN signals are synchronous to the X1/SCLK. If address, data, RWN are set up **before** CEN goes LOW and hold through DACKN, the timing parameters above will be guaranteed.

TIMING DIAGRAMS

The active time of read or write cycle exists only when CEN is LOW and RDN or CEN is also LOW.

Write = CEN and WRN LOW.

Read = CEN and RDN LOW.

For the 68K mode:

Write = CEN LOW and RWN LOW and DACKN HIGH.

Read = CEN LOW and RWN HIGH.

In general, it is convenient (but is not at all required) to think of the Read/Write signal to be active and then let the CEN be the 'strobing' or clocking control. However, some users have wired CEN LOW and allowed RDN or WRN to be the clocking or 'strobing' input. While this is completely within the specified limits, it is not recommended since it will greatly increase the part's sensitivity to noise 'glitches' on the RDN and WRN signals.

For the 68K mode, the CEN is very much the clock or 'strobing' signal. The RDN and WRN signals have been combined into the RWN signal. Therefore, the part is **always** prepared to do a write or read—it only needs CEN to enable.

In the 68K mode design, care should be given to system drift over temperature, voltage, and age when RWN and CEN change very close to each other. If RWN switches shortly before CEN (due to system drift) it is possible to produce very short internal read or write pulses which could change internal controls, FIFO address pointers, for example.

Figure 3 loosely shows the timing conditions that may exist of the active area those signals will produce.

Dual UART

SC28L202

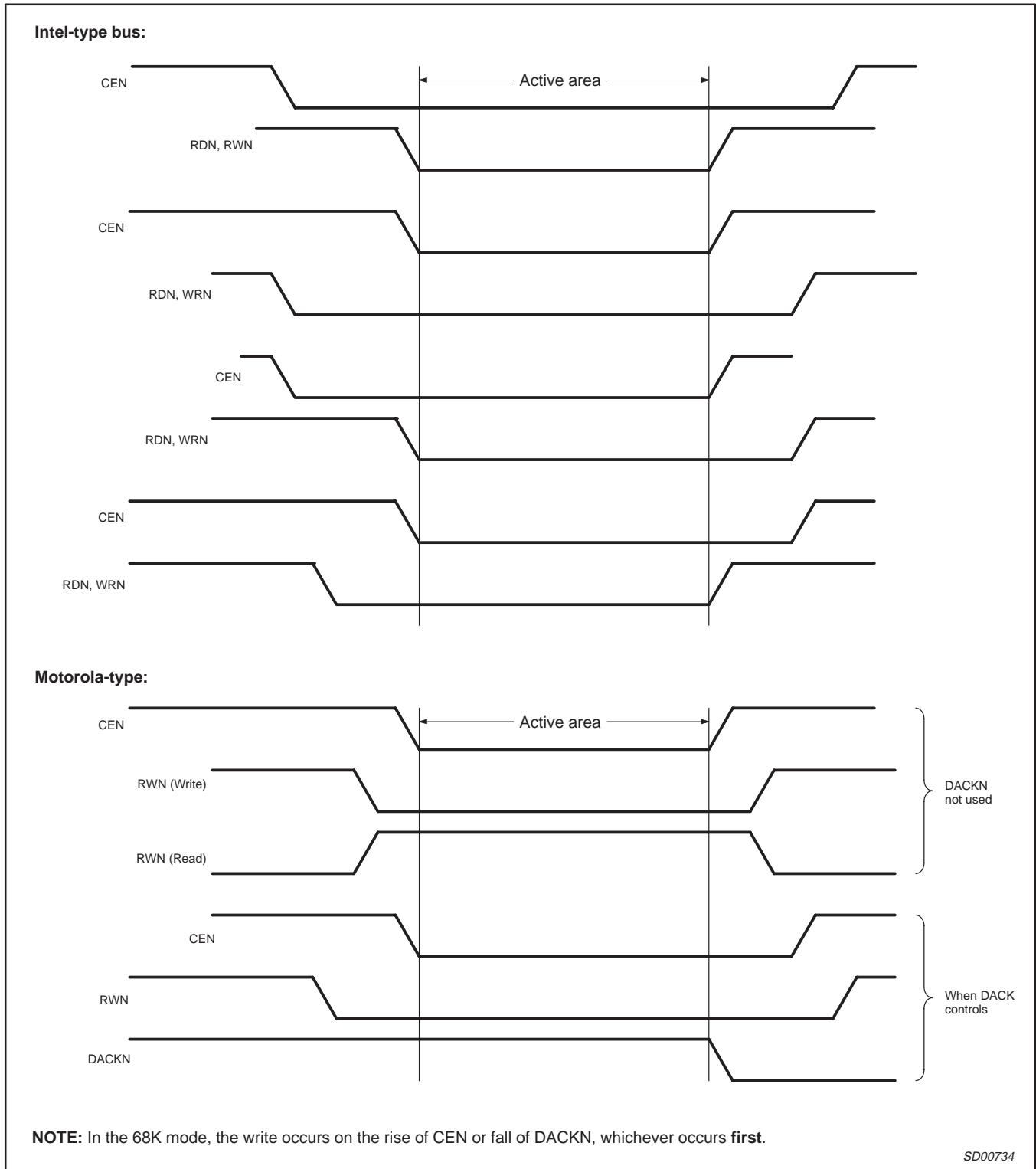


Figure 3. Active area in 68K mode.

If you have further questions, please direct them to the factory contact:

datacom.tech-support@philips.com

Dual UART

SC28L202

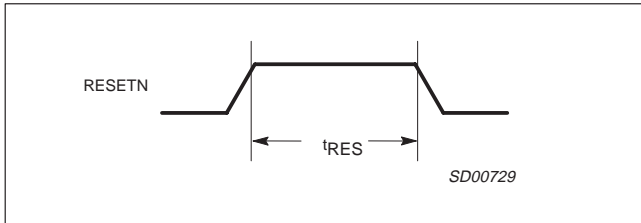


Figure 4. Reset Timing (80XXX mode)

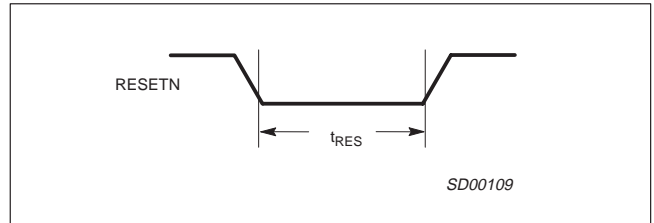


Figure 5. Reset Timing (68XXX mode)

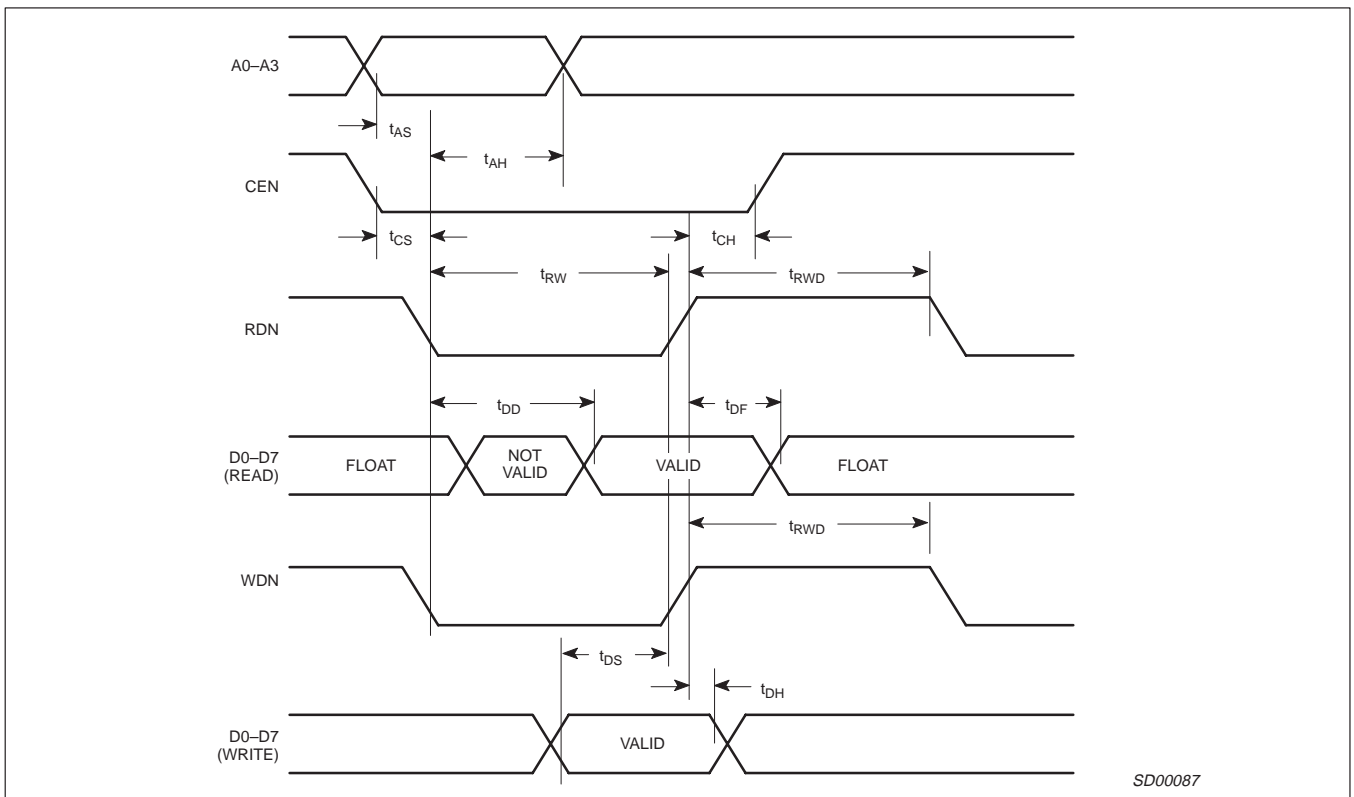


Figure 6. Bus Timing (80XXX mode)

Dual UART

SC28L202

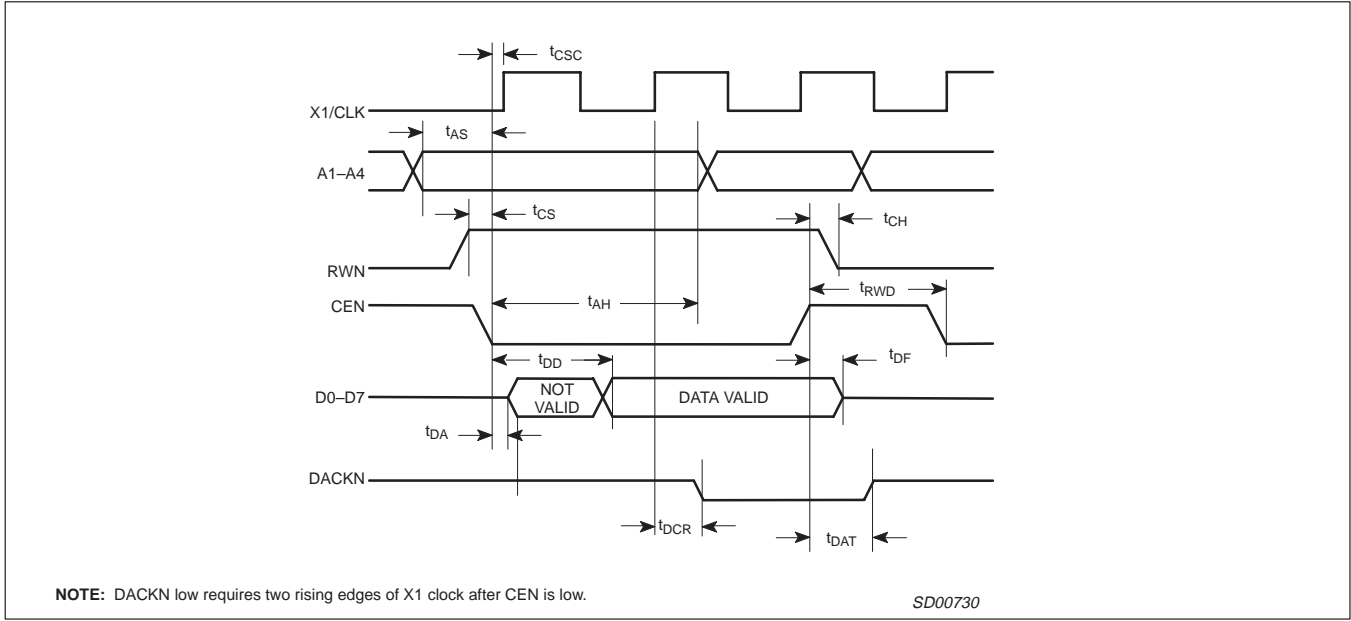


Figure 7. Bus Timing (Read Cycle) (68XXX mode)

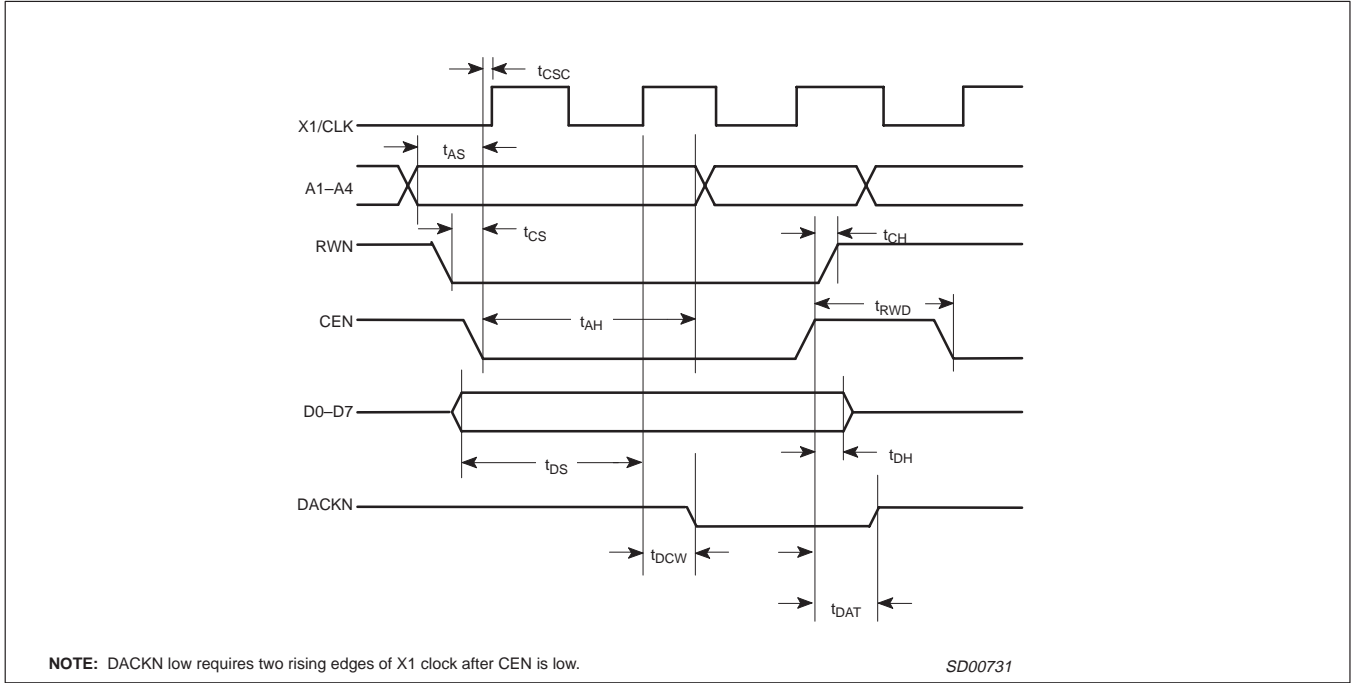


Figure 8. Bus Timing (Write Cycle) (68XXX mode)

Dual UART

SC28L202

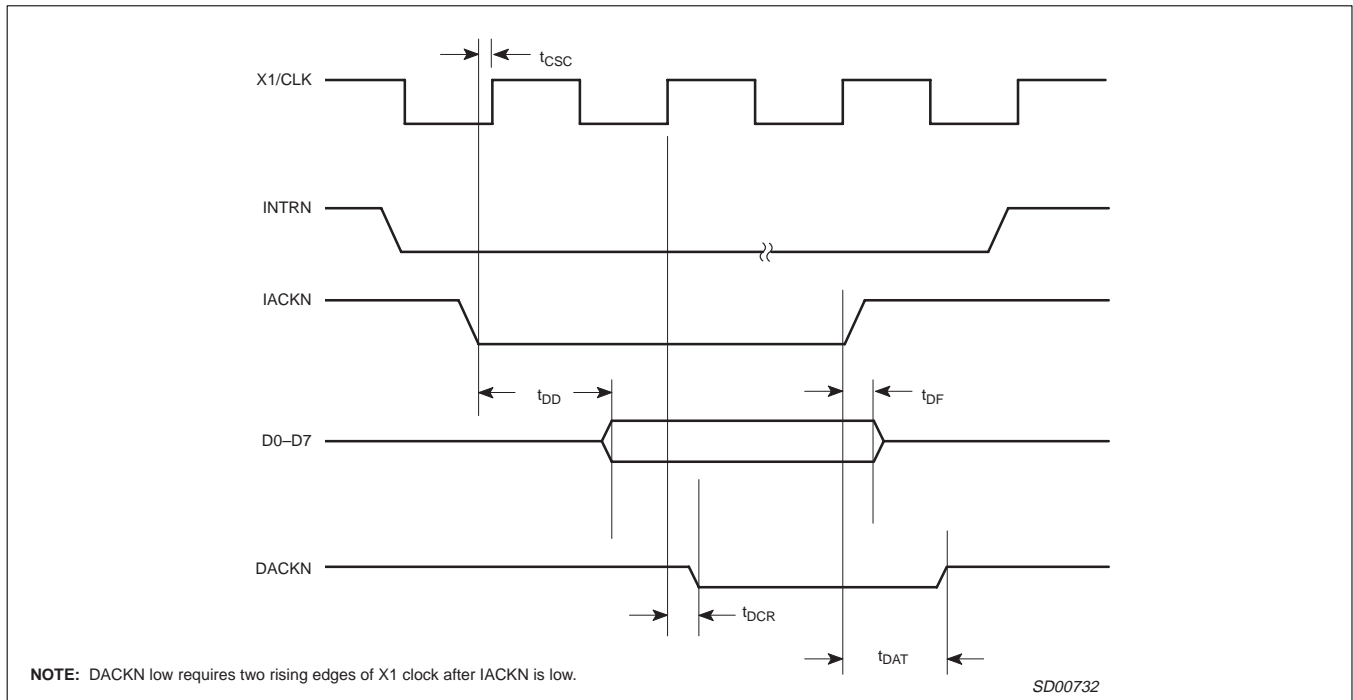


Figure 9. Interrupt Cycle Timing (68XXX mode)

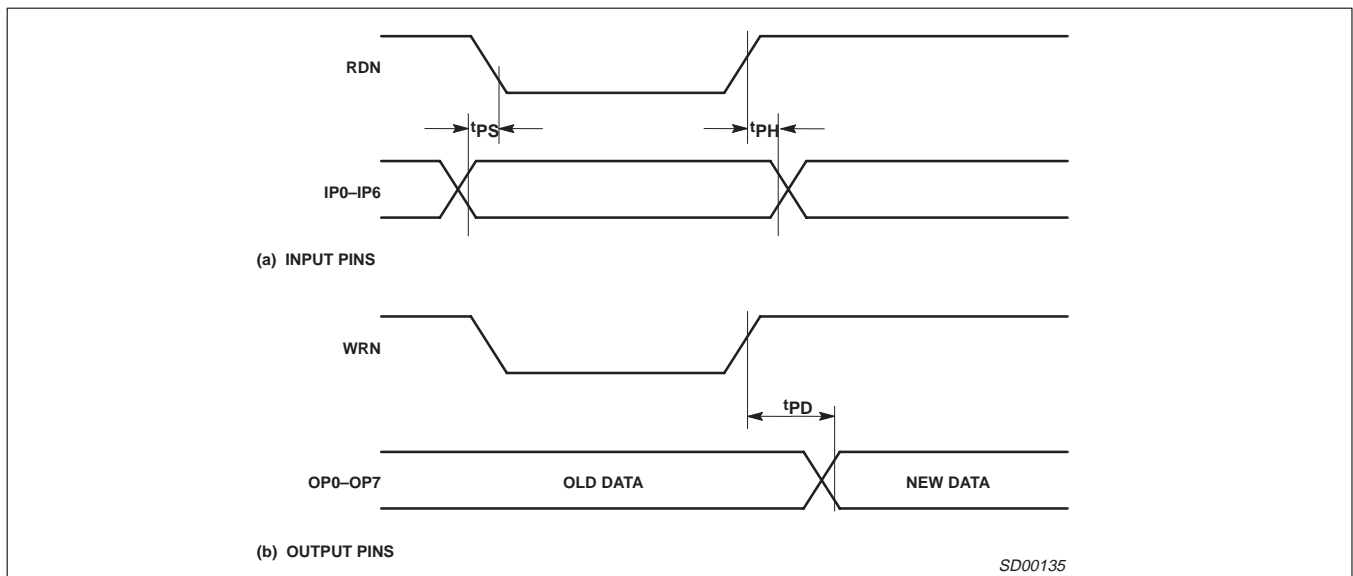


Figure 10. Port Timing

Dual UART

SC28L202

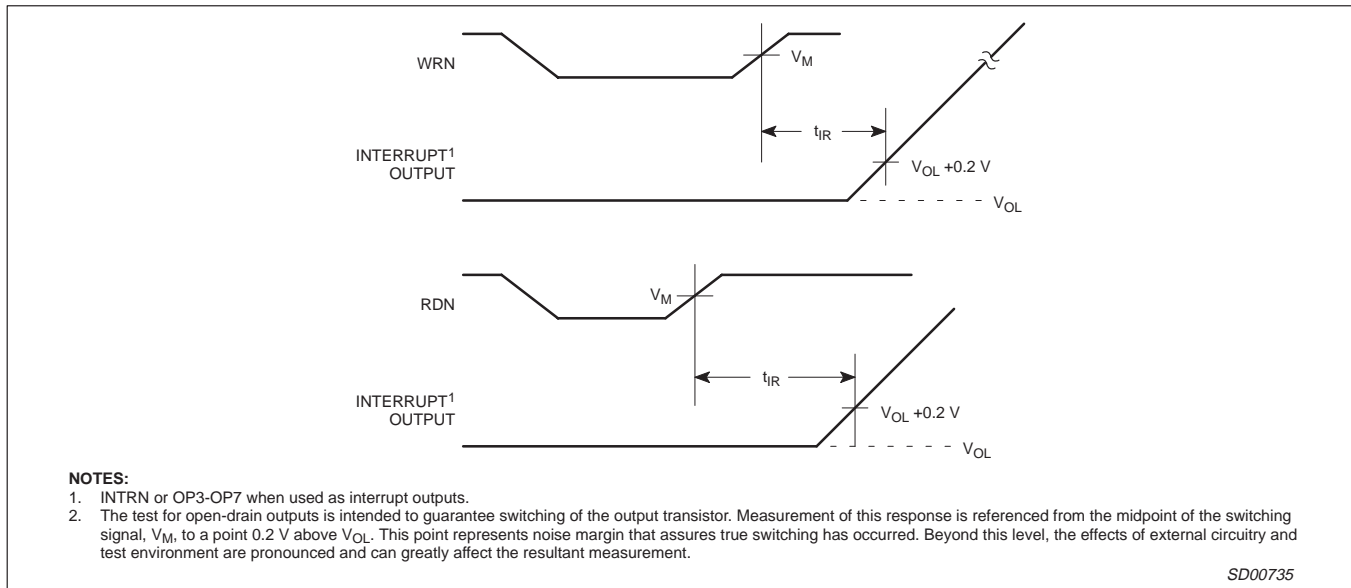


Figure 11. Interrupt Timing (80xxx mode)

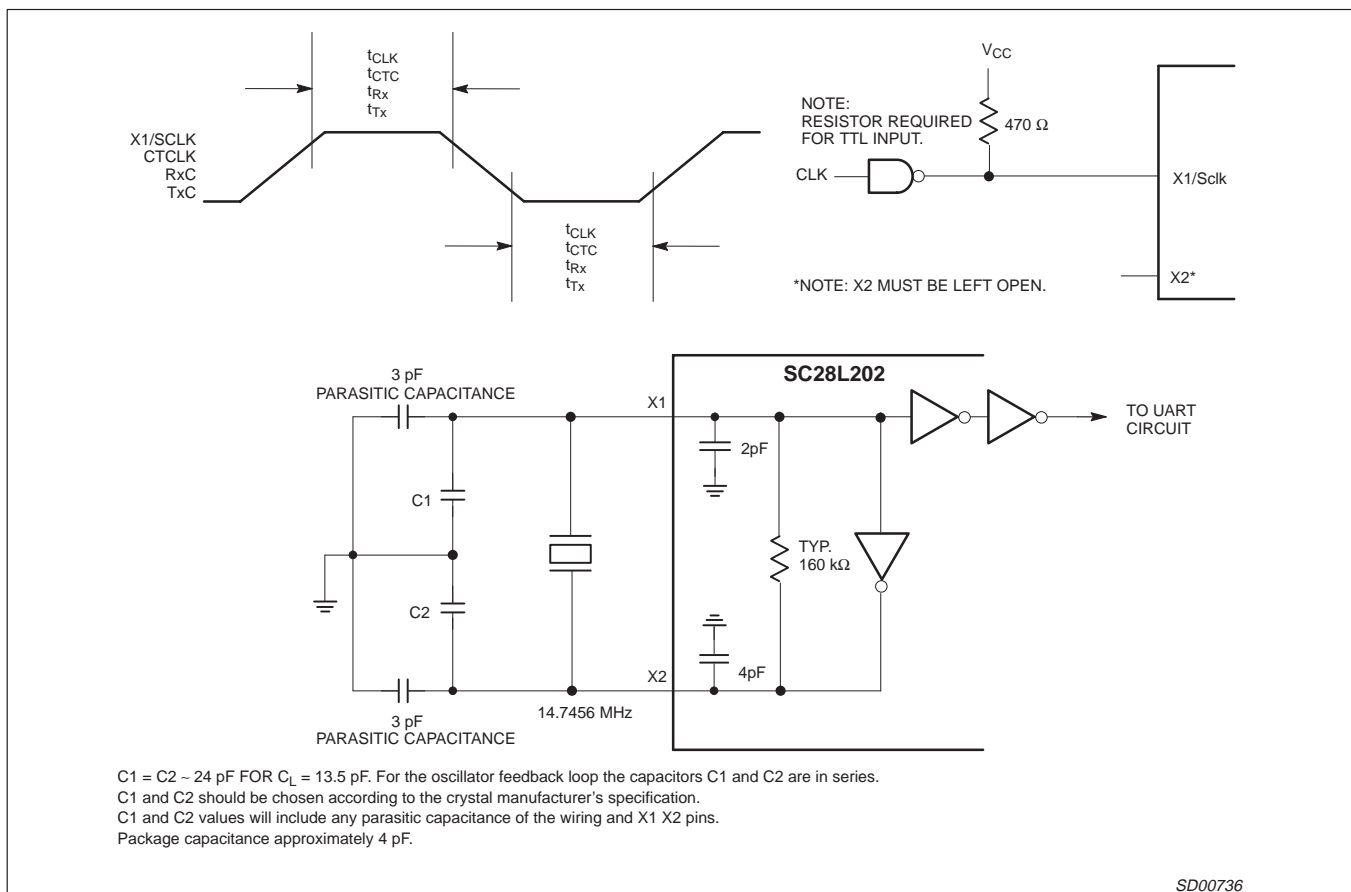


Figure 12. Clock Timing

Dual UART

SC28L202

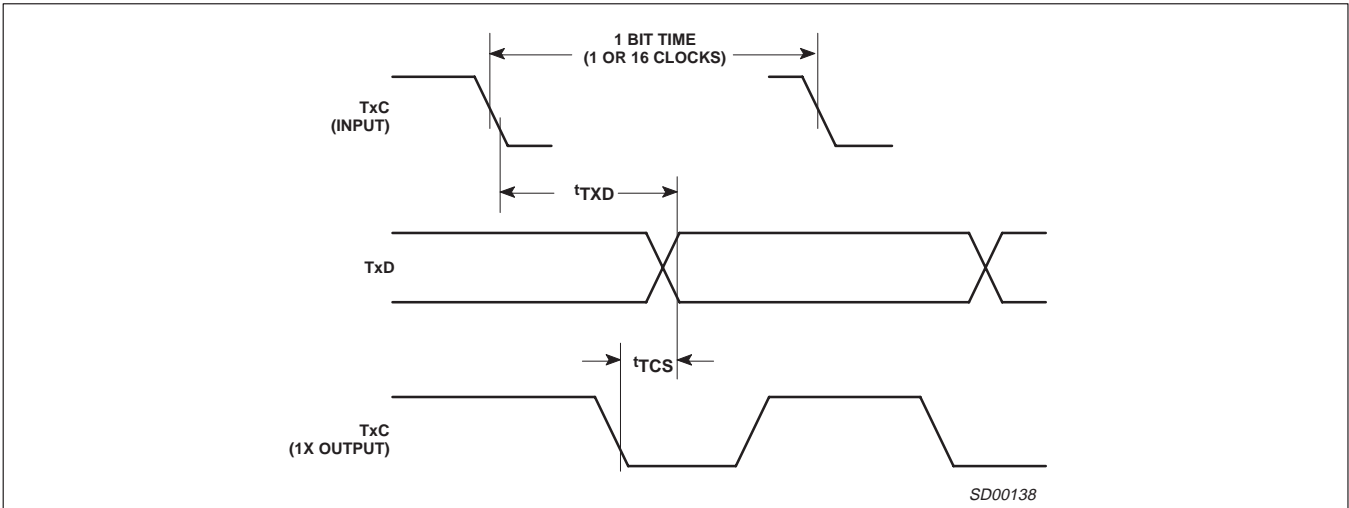


Figure 13. Transmitter External Clocks

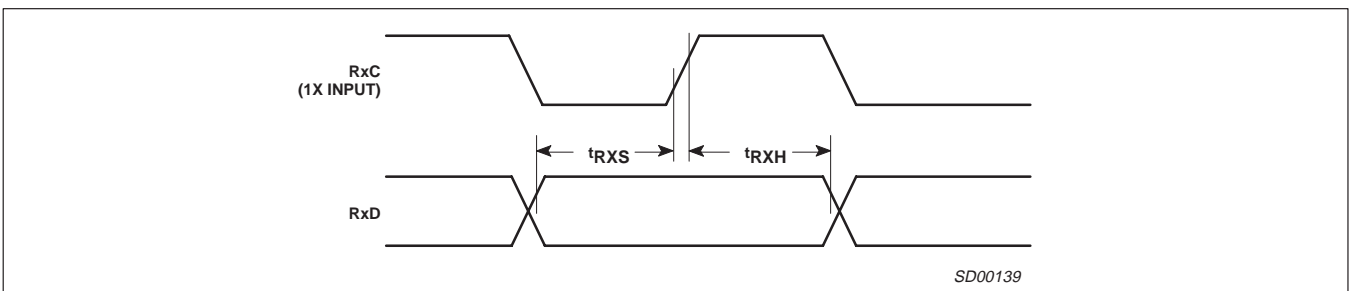
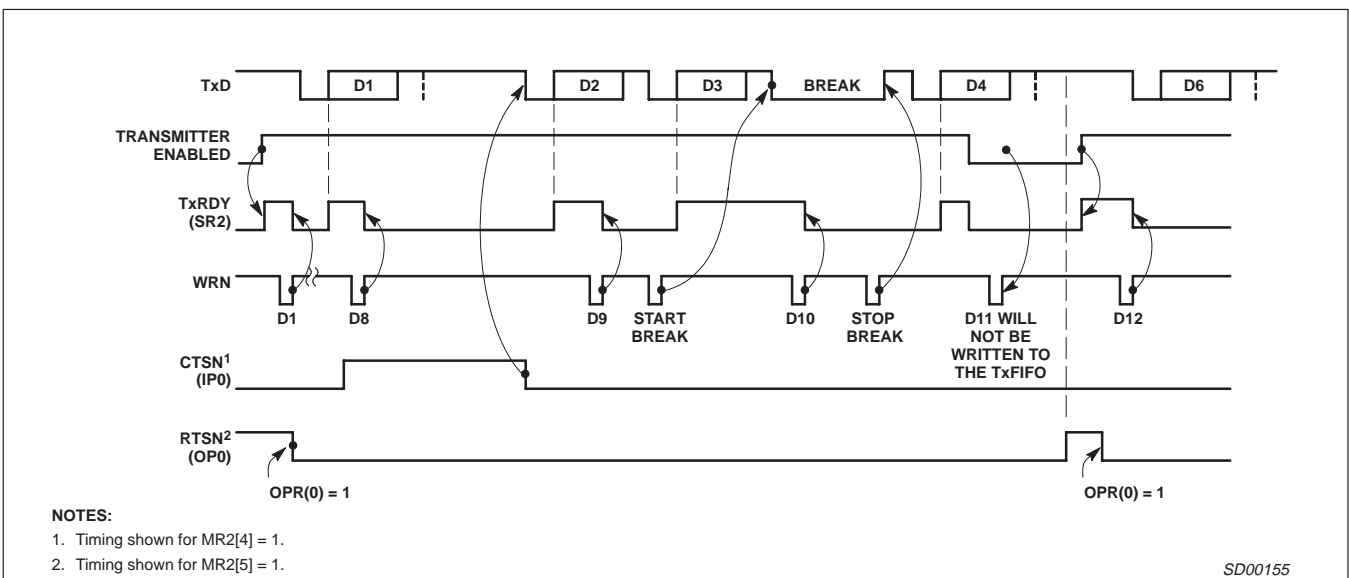


Figure 14. Receiver External Clock



- NOTES:
1. Timing shown for MR2[4] = 1.
 2. Timing shown for MR2[5] = 1.

Figure 15. Transmitter Timing

SD00155

Dual UART

SC28L202

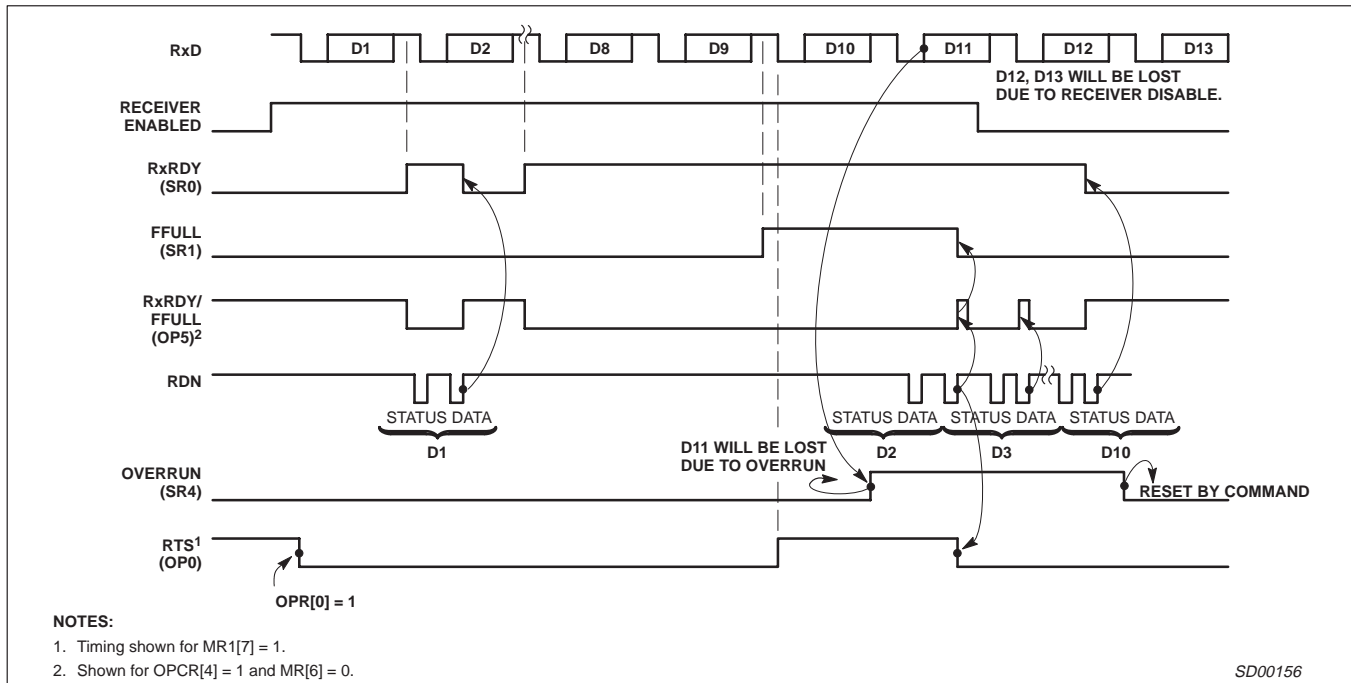


Figure 16. Receiver Timing

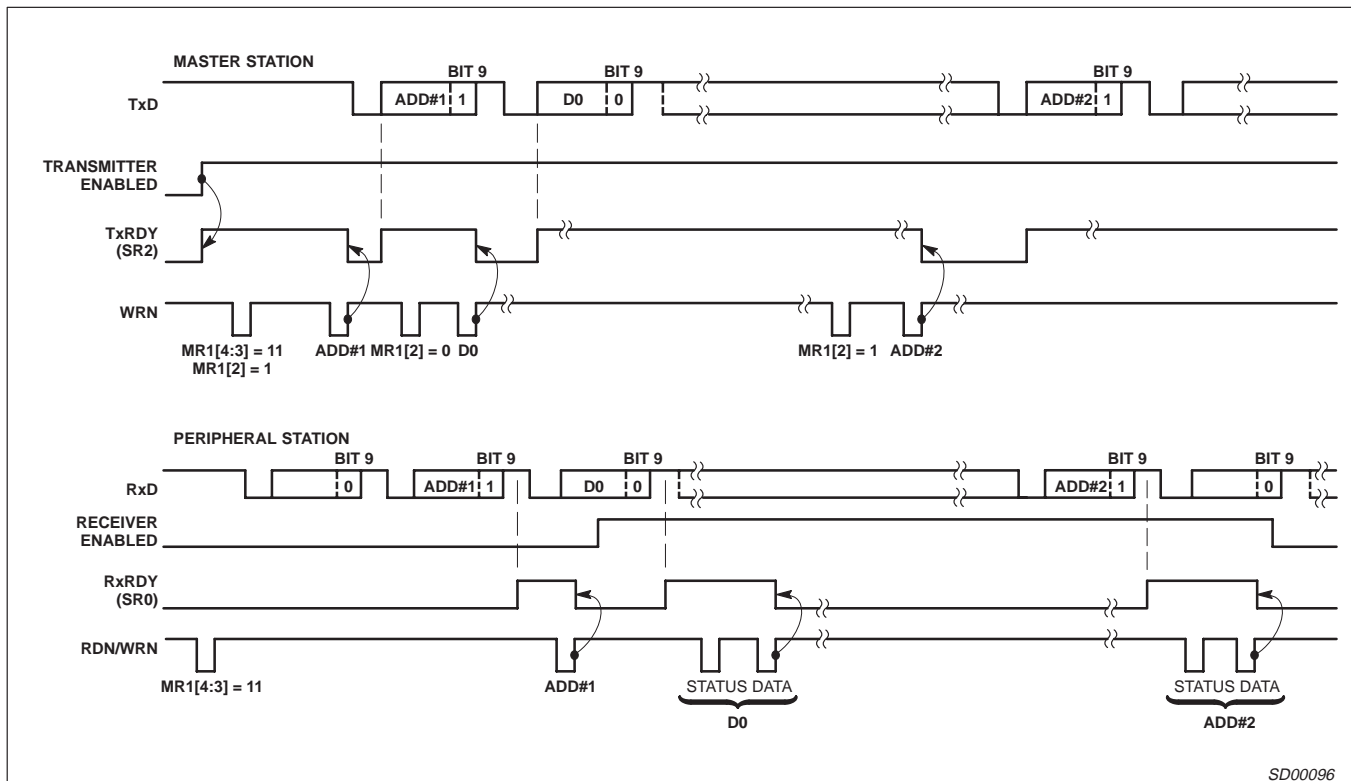


Figure 17. Wake-Up Mode

Dual UART

SC28L202

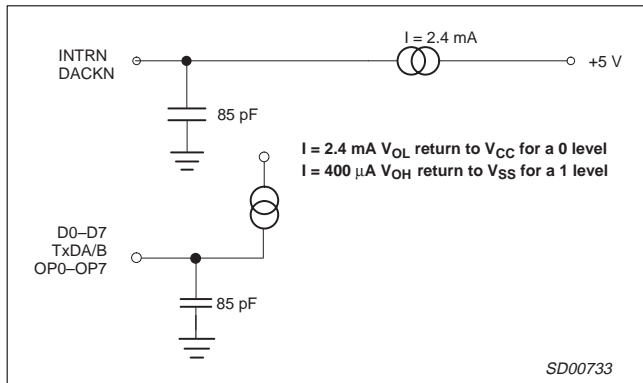


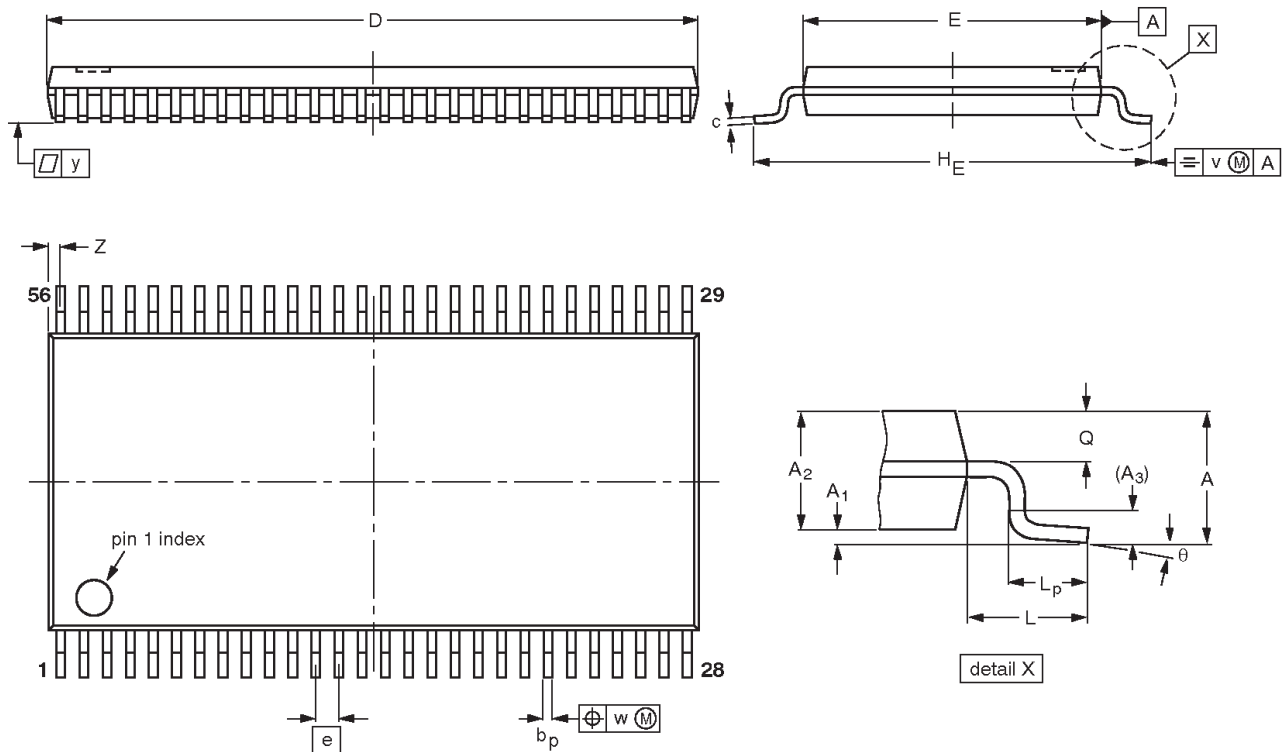
Figure 18. Test Conditions on Outputs

Dual UART

SC28L202

TSSOP56: plastic thin shrink small outline package; 56 leads; body width 6.1 mm

SOT364-1



DIMENSIONS (mm are the original dimensions).

UNIT	A max.	A ₁	A ₂	A ₃	b _p	c	D ⁽¹⁾	E ⁽²⁾	e	H _E	L	L _p	Q	v	w	y	Z	θ
mm	1.2	0.15 0.05	1.05 0.85	0.25	0.28 0.17	0.2 0.1	14.1 13.9	6.2 6.0	0.5	8.3 7.9	1	0.8 0.4	0.50 0.35	0.25	0.08	0.1	0.5 0.1	8° 0°

Notes

1. Plastic or metal protrusions of 0.15 mm maximum per side are not included.
2. Plastic interlead protrusions of 0.25 mm maximum per side are not included.

OUTLINE VERSION	REFERENCES				EUROPEAN PROJECTION	ISSUE DATE
	IEC	JEDEC	JEITA			
SOT364-1		MO-153				-99-12-27 03-02-19

Dual UART

SC28L202

REVISION HISTORY

Rev	Date	Description
_7	20051101	Product data sheet. Supersedes data of 16 April 2004 (9397 750 13049). Modifications: <ul style="list-style-type: none"> ● Page 3, description for pin 21, I/M: changed “When HIGH or not connected configures the bus interface ...” to “When HIGH configures the bus interface ...” ● Page 6, section “Bus Interface”, second sentence: changed “If this pin is high or left open ...” to “If this pin is HIGH ...” ● Page 34, UCIR — Update CIR; first sentence: changed “... address 0x8C.” to “... address 0x61.”
_6	20040416	Product data (9397 750 13049). Supersedes fifth version SC28L202_5 of 2002 Dec 03 (9397 750 10585).
_5	20031202	Product data (9397 750 10585). Supersedes fourth version SC28L202_4 of 2000 Feb 10 (9397 750 06826).
_4	20000210	Objective data (9397 750 06826).

Dual UART

SC28L202

Data sheet status

Level	Data sheet status ^[1]	Product status ^{[2] [3]}	Definitions
I	Objective data	Development	This data sheet contains data from the objective specification for product development. Philips Semiconductors reserves the right to change the specification in any manner without notice.
II	Preliminary data	Qualification	This data sheet contains data from the preliminary specification. Supplementary data will be published at a later date. Philips Semiconductors reserves the right to change the specification without notice, in order to improve the design and supply the best possible product.
III	Product data	Production	This data sheet contains data from the product specification. Philips Semiconductors reserves the right to make changes at any time in order to improve the design, manufacturing and supply. Relevant changes will be communicated via a Customer Product/Process Change Notification (CPCN).

[1] Please consult the most recently issued data sheet before initiating or completing a design.

[2] The product status of the device(s) described in this data sheet may have changed since this data sheet was published. The latest information is available on the Internet at URL <http://www.semiconductors.philips.com>.

[3] For data sheets describing multiple type numbers, the highest-level product status determines the data sheet status.

Definitions

Short-form specification — The data in a short-form specification is extracted from a full data sheet with the same type number and title. For detailed information see the relevant data sheet or data handbook.

Limiting values definition — Limiting values given are in accordance with the Absolute Maximum Rating System (IEC 60134). Stress above one or more of the limiting values may cause permanent damage to the device. These are stress ratings only and operation of the device at these or at any other conditions above those given in the Characteristics sections of the specification is not implied. Exposure to limiting values for extended periods may affect device reliability.

Application information — Applications that are described herein for any of these products are for illustrative purposes only. Philips Semiconductors make no representation or warranty that such applications will be suitable for the specified use without further testing or modification.

Disclaimers

Life support — These products are not designed for use in life support appliances, devices, or systems where malfunction of these products can reasonably be expected to result in personal injury. Philips Semiconductors customers using or selling these products for use in such applications do so at their own risk and agree to fully indemnify Philips Semiconductors for any damages resulting from such application.

Right to make changes — Philips Semiconductors reserves the right to make changes in the products—including circuits, standard cells, and/or software—described or contained herein in order to improve design and/or performance. When the product is in full production (status 'Production'), relevant changes will be communicated via a Customer Product/Process Change Notification (CPCN). Philips Semiconductors assumes no responsibility or liability for the use of any of these products, conveys no license or title under any patent, copyright, or mask work right to these products, and makes no representations or warranties that these products are free from patent, copyright, or mask work right infringement, unless otherwise specified.

Contact information

For additional information please visit
<http://www.semiconductors.philips.com>. Fax: +31 40 27 24825

© Koninklijke Philips Electronics N.V. 2005
 All rights reserved. Printed in U.S.A.

Date of release: 11-05

For sales offices addresses send e-mail to:
sales.addresses@www.semiconductors.philips.com

Document order number:

SC28L202_7