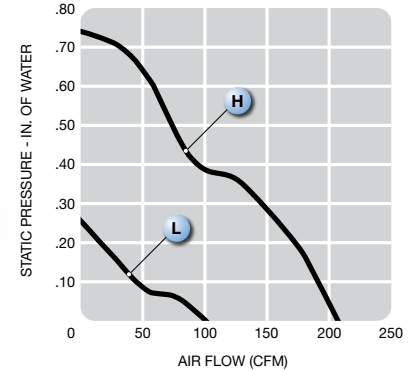
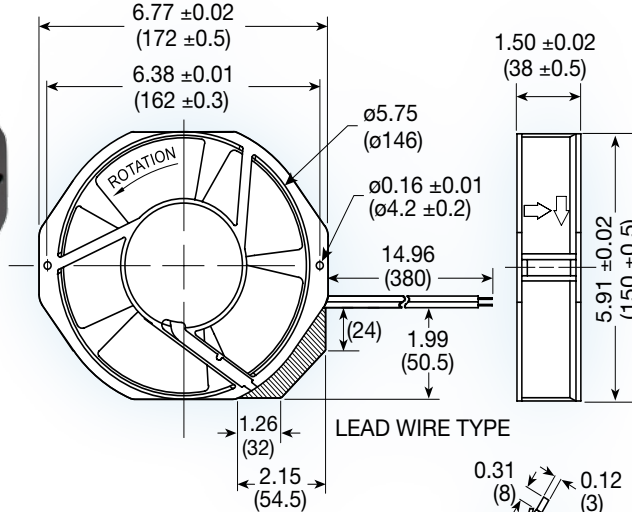
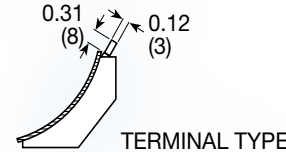


UF15AC series



(172 x 150 x 38 mm)
6.77 x 5.91 x 1.50 inches

| | |
|--------------------|--|
| Operating voltage: | 115 or 230 VAC |
| Construction: | aluminum die cast frame; UL94V-0 PBT impeller |
| Bearing option: | ball bearing |
| Motor: | permanent split capacitor |
| Air Flow: | exhaust over struts |
| Connection: | terminal or 22 AWG lead wire |
| Protection: | thermal |



| Model No. | Rated Voltage V | Freq. HZ | Input Power W | Rated Cur. A | Locked Cur. A | Speed RPM | Air Volume | | Max. Static Pressure (H ₂ O) | | Sound Noise dbA | Weight kg |
|--------------|--------------------|-------------|------------------|-----------------|------------------|--------------|----------------------|-----|---|------|--------------------|--------------|
| | | | | | | | M ³ /Min. | CFM | MM | INCH | | |
| UF15AC12-__H | 115 | 60 | 28 | 0.23 | 0.38 | 3,400 | 6.0 | 212 | 19.0 | 0.75 | 58 | 0.72 |
| UF15AC23-__H | 230 | 60 | 26 | 0.11 | 0.18 | 3,400 | 6.0 | 212 | 19.0 | 0.75 | 58 | 0.72 |
| UF15AC12-__L | 115 | 60 | 28 | 0.15 | 0.20 | 1,700 | 2.9 | 103 | 6.5 | 0.26 | 44 | 0.72 |
| UF15AC23-__L | 230 | 60 | 26 | 0.07 | 0.10 | 1,700 | 2.9 | 103 | 6.5 | 0.26 | 44 | 0.72 |

