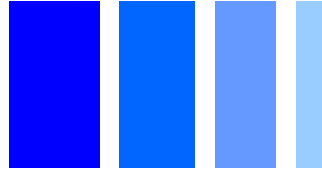


LF Receiver Antenna CAS13D28



Description

- Compact LF receiver antenna (2D).
- Covered by plastic case
- High Sensitivity and Reliability.
- L × W × H: 12.0 × 13.1 × 3.2 mm Max.
- Product weight: 0.84g Ref..
- RoHS compliance.

Environmental Data

- Operating temperature range: -40°C~+85°C
- Storage temperature range: -40°C~+100°C

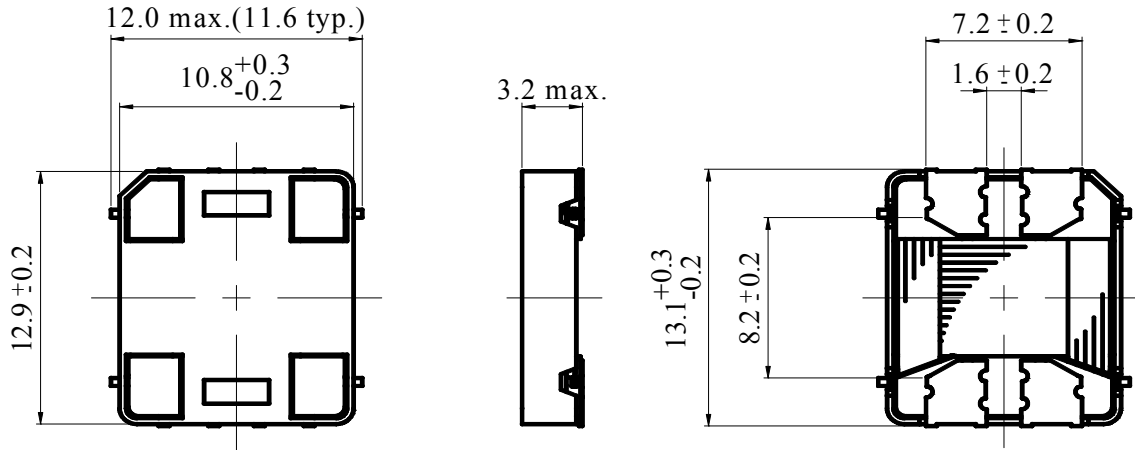
Packaging

- Carrier Tape and Reel.
- Tape specification according to EIA481.
- 500pcs/reel.

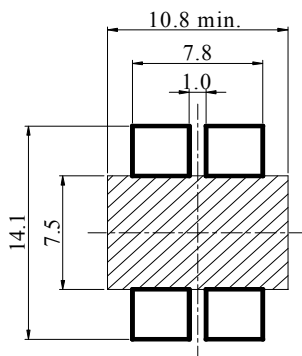
Applications

- PEPS, Smart key system.
- Security system

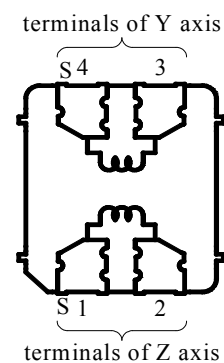
Dimension - [mm]



Suggest PCB layout - [mm]



Schematic diagram



* Please do not arrange the wiring pattern in

LF Receiver Antenna CAS13D28



Electrical Characteristics

No.	Part No.	Y axis (4-3)			Z axis (1-2)		
		Inductance	Unload Q	S.R.F.	Inductance	Unload Q	S.R.F.
		mH		kHz	mH		kHz
01	CAS13D28-902	9.0 ± 5%	25 typ.	500 min.	7.4 ± 5%	18 typ.	500 min.
02	CAS13D28-602	6.0 ± 5%	26 typ.	600 min.	4.2 ± 5%	19 typ.	700 min.
03	CAS13D28-342	3.4 ± 5%	27 typ.	700 min.	2.4 ± 5%	20 typ.	900 min.

* It is possible for different inductance value.

For more information, please browse our website <http://www.sumida.com>

Hong Kong

Tel.+852-2880-6688
FAX.+852-2565-9600

Tokyo

Tel.+81-3-5202-7112
FAX.+81-3-5202-7105

Chicago

Tel.+1-847-545-6700
FAX. +1-847-545-6720

Shanghai

Tel.+86-021-5836-3299
FAX.+86-021-5836-3266

Seoul

Tel.+82-2-6237-0777
FAX.+82-2-6237-0778

Oberzell

Tel.+49-8591-937-0
FAX. +49-8591-937-103

Shenzhen

Tel.+86-755-8291-0228
FAX.+86-755-8291-0338

Singapore

Tel.+65-6296-3388
FAX.+65-6296-3390

Neumarkt

Tel.+49-9181-4509-110
FAX. +49-9181-4509-310

Taipei

Tel.+886-2-8751-2737
FAX.+886-2-8751-2738

San Jose

Tel.+1-408-321-9660
FAX.+1-408-321-9308