

SHINDENGEN

General Purpose Rectifiers

Single

D1F20

200V 1A

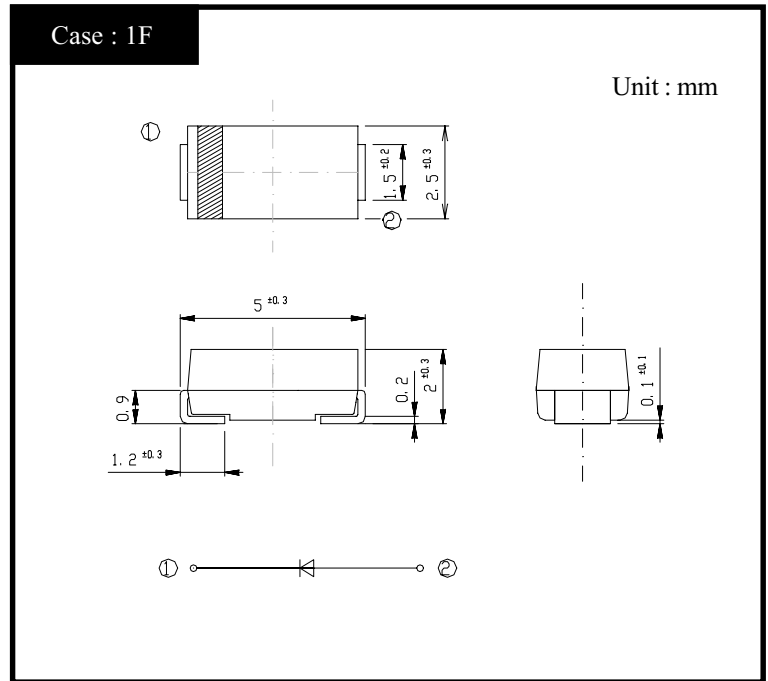
FEATURES

- High reliability with superior moisture resistance
- Applicable to Automatic Insertion

APPLICATION

- Conventional Rectification
- Power source(Power Supply)
- Home Appliances, Office Equipment
- Telecommunication, Factory Automation

OUTLINE DIMENSIONS



RATINGS

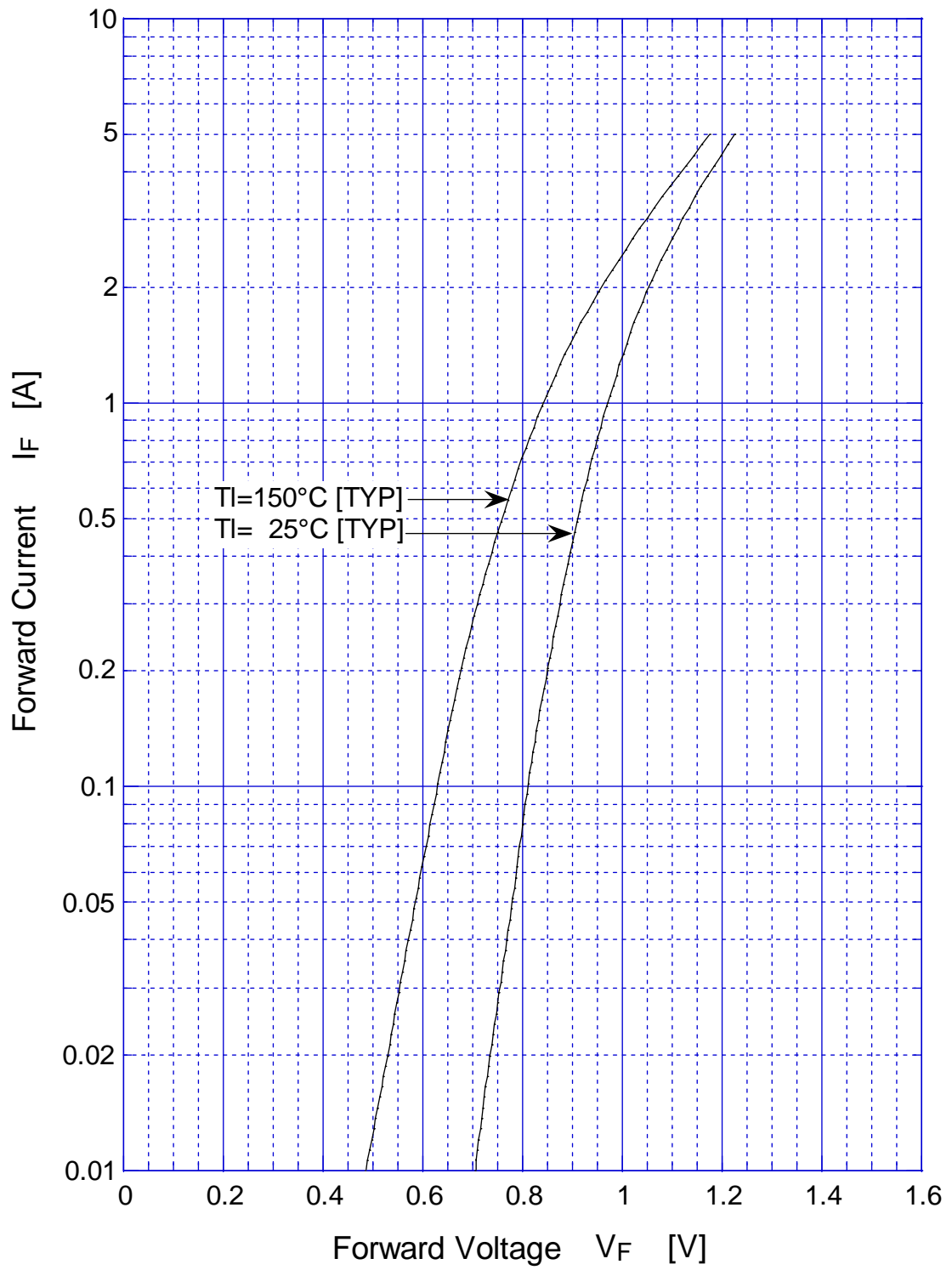
- Absolute Maximum Ratings (If not specified $T_I=25^{\circ}\text{C}$)

Item	Symbol	Conditions	Ratings	Unit
Storage Temperature	T_{stg}		-55 ~ 150	$^{\circ}\text{C}$
Operating Junction Temperature	T_j		150	$^{\circ}\text{C}$
Maximum Reverse Voltage	V_{RM}		200	V
Average Rectified Forward Current	I_o	50Hz sine wave, R-load, $T_a=25^{\circ}\text{C}$ On alumina substrate	1	A
		50Hz sine wave, R-load, $T_a=25^{\circ}\text{C}$ On glass-epoxy substrate	0.75	
Peak Surge Forward Current	I_{FSM}	50Hz sine wave, Non-repetitive 1 cycle peak value, $T_j=25^{\circ}\text{C}$	25	A

- Electrical Characteristics (If not specified $T_I=25^{\circ}\text{C}$)

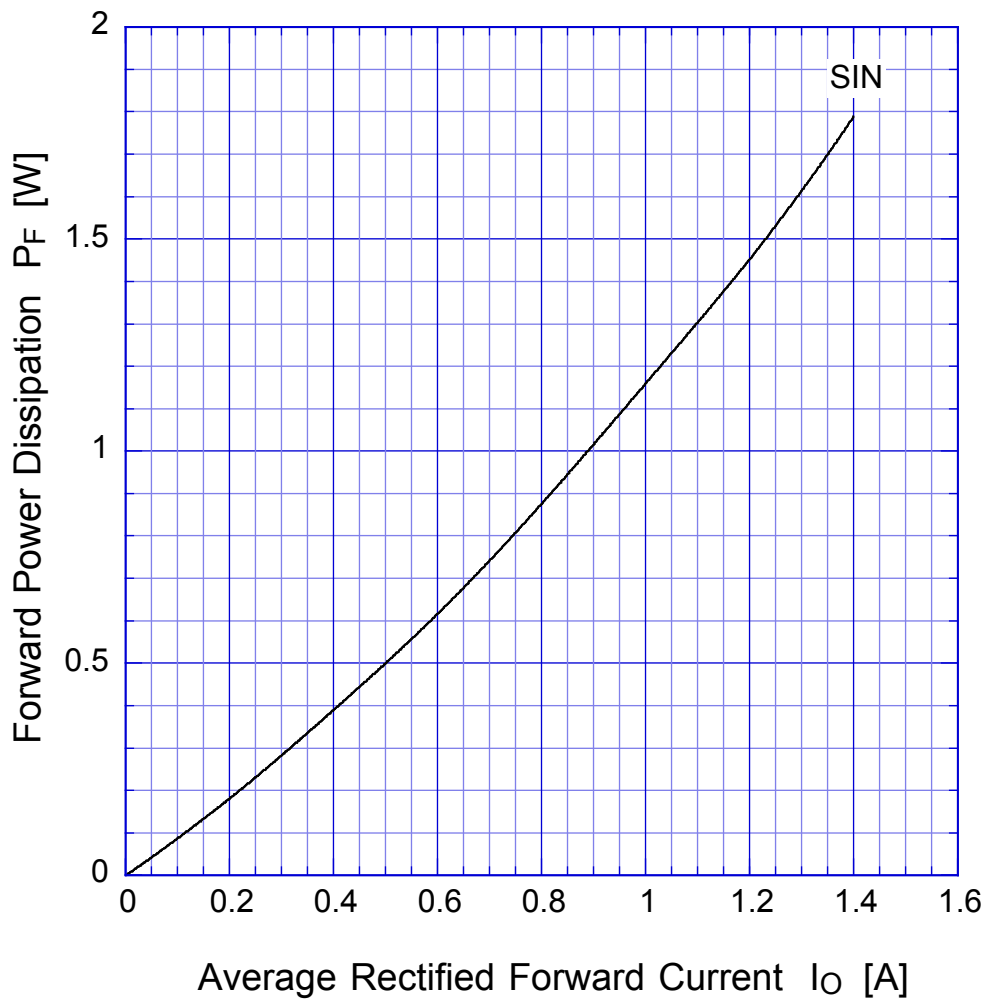
Item	Symbol	Conditions	Ratings	Unit
Forward Voltage	V_F	$I_F=1\text{A}$, Pulse measurement	Max.1.1	V
Reverse Current	I_R	$V_R=V_{RM}$, Pulse measurement	Max.10	μA
Thermal Resistance	θ_{jl}	junction to lead	Max.23	$^{\circ}\text{C}/\text{W}$
	θ_{ja}	junction to ambient On alumina substrate	Max.108	
		junction to ambient On glass-epoxy substrate	Max.157	

D1F x Forward Voltage



D1Fx

Forward Power Dissipation

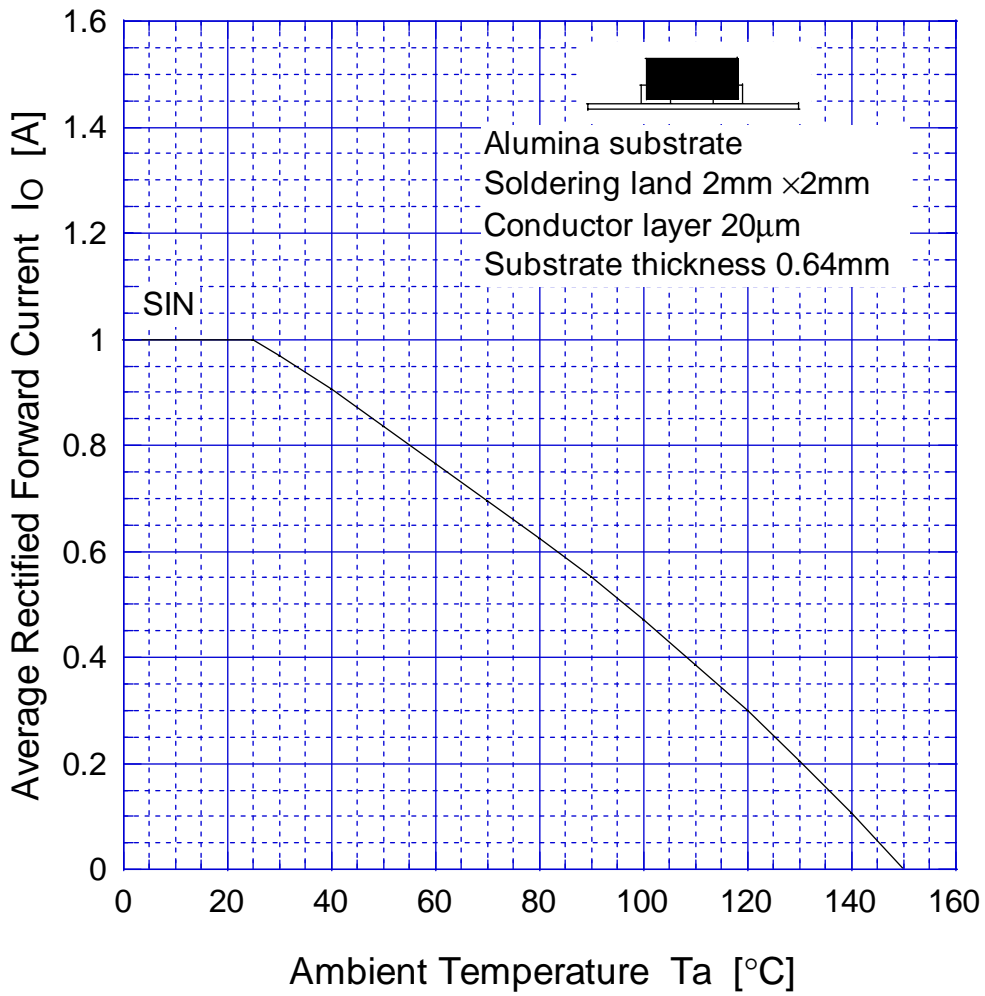


$T_j = 150^\circ\text{C}$

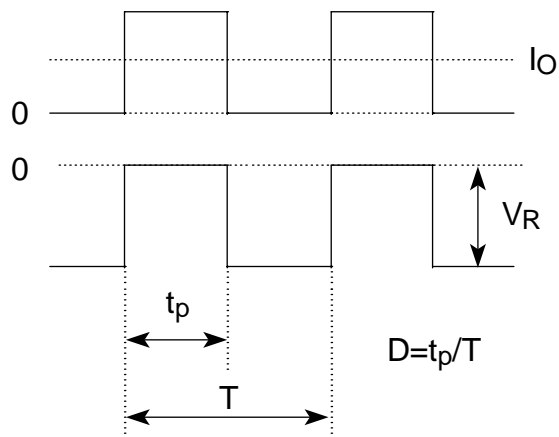
Sine wave

D1Fx

Derating Curve

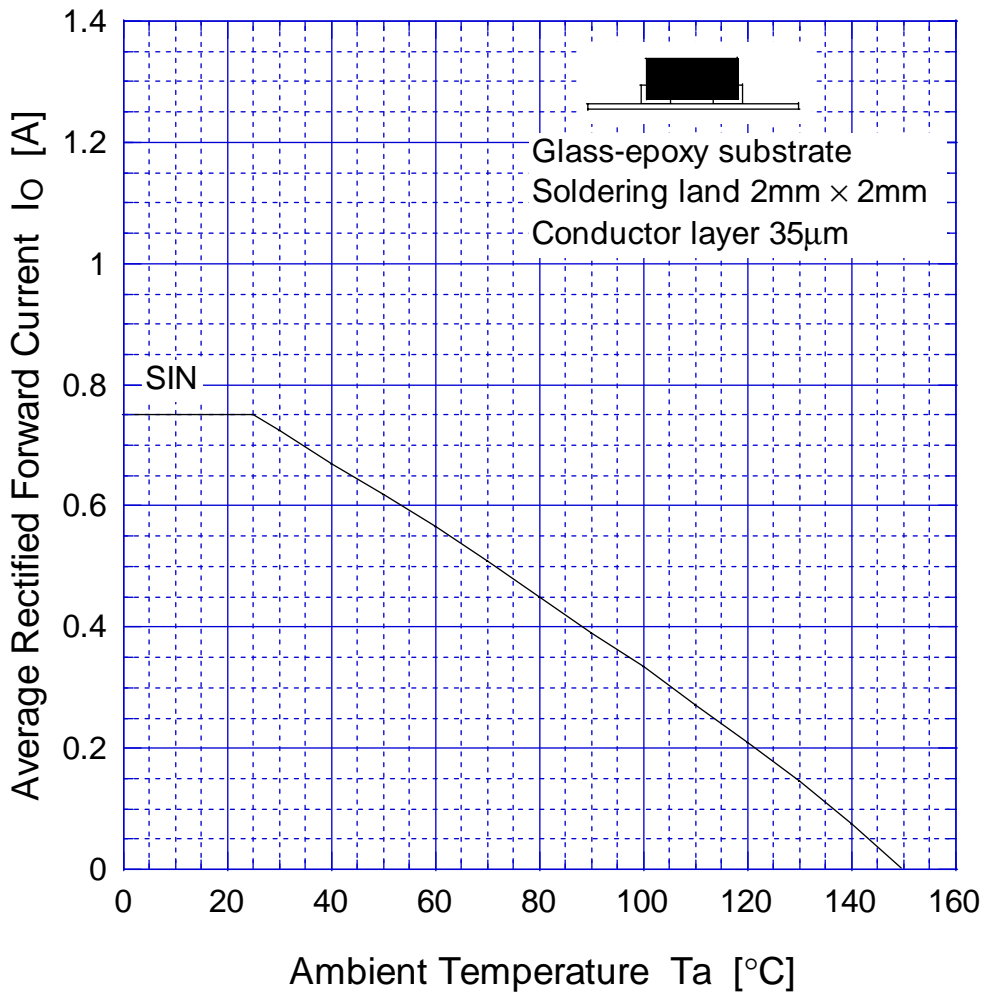


$$V_R = V_{RM}$$

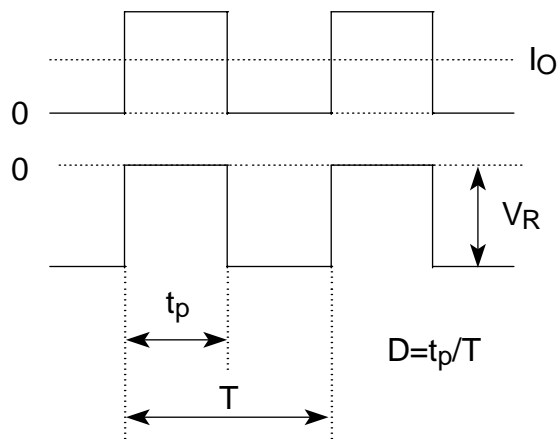


D1Fx

Derating Curve



$V_R = V_{RM}$
Sine wave
R-load
Free in air



D1Fx

Peak Surge Forward Capability

