

LNU-12C Series, 12 Watt
FEATURES:

- ✓ Constant current output
- ✓ Universal AC input: 90-305VAC
- ✓ Active power factor correction
- ✓ Short circuit, over voltage protections
- ✓ Designed to worldwide safety standards for lighting
- ✓ Cooling by free air convection
- ✓ 3 year warranty



Model	Input voltage (Vac)	Output current (mA)	Output voltage (Vdc)		Output power (W)
			Min.	Max.	
LNU12-C240	90-305	240	25	50	12
LNU12-C350		350	18	36	12.6
LNU12-C530		530	12	24	12.7
LNU12-C700		700	9	18	12.6

ELECTRICAL

Input						
Parameters	Symbols	Test Conditions / Comment	Min.	Typ.	Max.	Units
Input voltage	V_{in}	---	90	--	305	Vac
Input frequency	F_{line}	---	47	--	63	Hz
Input current	I_{in}	Full load, $V_{in} = 230Vac$	--	--	0.1	A
Inrush current	I_{inrush}	Cold start, $V_{in} = 230Vac$	--	--	35	A
Power factor	PF	70%~100% load, $V_{in} = 220Vac$	--	0.9	--	PF
Efficiency	η	Full voltage, full load	--	84	--	%
Output						
Output current	I_{out}	LNU12-C240	228	240	252	mA
		LNU12-C350	332	350	368	mA
		LNU12-C530	503	530	557	mA
		LNU12-C700	665	700	735	mA

LNU-12C Series, 12 Watt
ELECTRICAL

Output						
Parameters	Symbols	Test Conditions / Comment	Min.	Typ.	Max.	Units
Output voltage	V_{out}	LNU12-C240	25	--	50	V
		LNU12-C350	18	--	36	V
		LNU12-C530	12	--	24	V
		LNU12-C700	9	--	18	V
No Load Output Voltage	$V_{NO-Load}$	LNU12-C240	--	--	60	V
		LNU12-C350	--	--	45	V
		LNU12-C530	--	--	32	V
		LNU12-C700	--	--	25	V
Line regulation	$I_{out-line}$	V_{in} from 90Vac to 264Vac	--	--	3	%
Load regulation	$I_{out-load}$	V_{out} from min. to max.	--	--	3	%
Output Current overshoot	$I_{over-shoot}$	Turning power on	--	--	10	%
Turn-on delay time	T_{on_delay}	Cold start, power on	--	--	2	S
Ripple	I_{out}	---	--	--	60	%
Protection						
Overvoltage	Same as $V_{NO-Load}$					
Short circuit	In hiccup mode, it will recover automatically after fault condition is removed					
Environment						
Storage	$T_{storage}$	Humidity: 5% RH to 95% RH	-40	--	+85	°C
Ambient operating temperature	T_a	Startup at rated voltage	-25	--	+50	°C
Maximum case temperature	T_c	Hot-spot on case	--	--	+80	°C
Operating relative humidity	H_a	Non condensing	10	--	95	%
MTBF	T_{MTBF}	Full load, 220Vac input, 25°C ambient temperature	400	--	--	kHrs
Dimension(LxWxH)	88.8x44.8x30.5mm					

LNU-12C Series, 12 Watt

ELECTRICAL

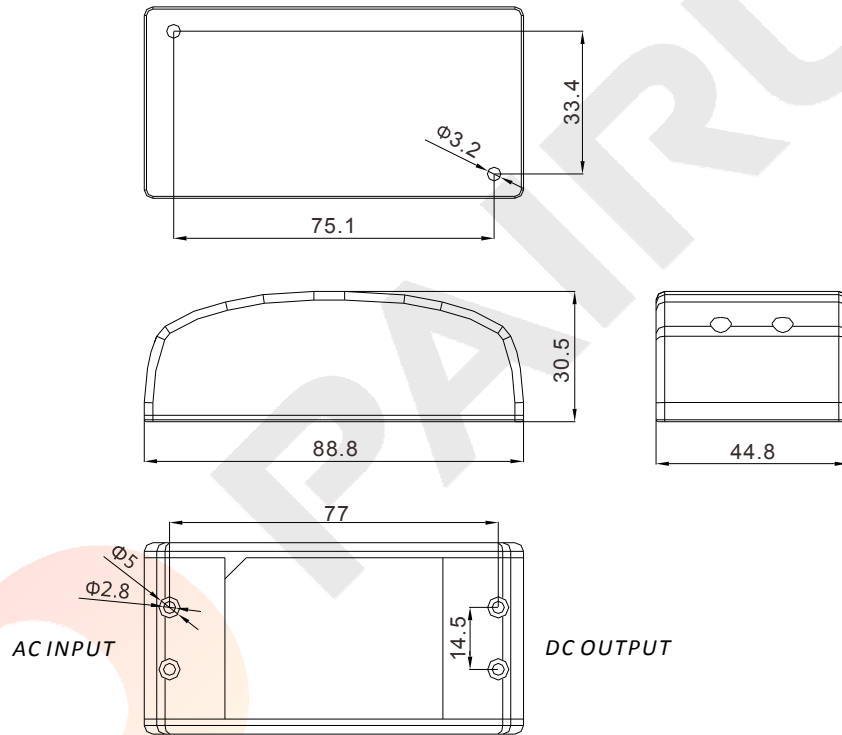
Safety / EMC

Safety standards EN61347-1, EN61347-2-13

EMC EN55015, EN61000-3-2, EN61000-3-3, EN61000-4-2,3,4,6,8,11, EN61547

Notes: Unless otherwise specified, all the above parameters are measured at ambient temperature of 25°C and Vin = 90Vac to 264Vac.

MECHANICAL



Unit: mm