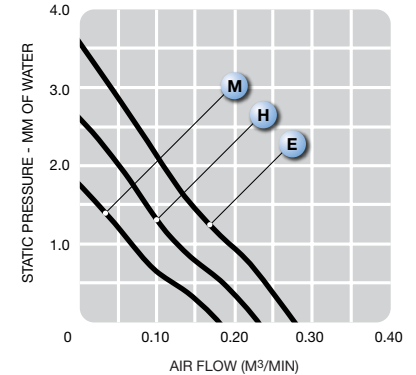
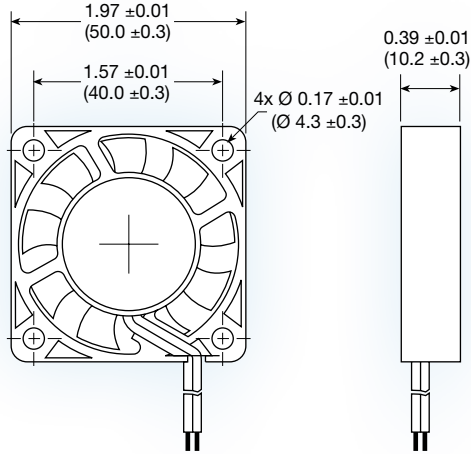


M5010 series



(50 x 50 x 10 mm)
1.97 x 1.97 x 0.39 inches

Construction: UL94V-0 PBT impeller & frame

Bearing option: ball bearing or sleeve

Connection: AWG 26, UL1007 lead wires

Frame: ribbed

Protection: impedance

Options: tachometer output signal

| Model No. | Rated Voltage V | Operating Voltage V | Current mA | Speed RPM | Air Volume | | Max. Static Pressure (H ₂ O) | | Sound Noise dba | Weight g |
|---------------|--------------------|------------------------|---------------|--------------|----------------------|------|---|------|--------------------|-------------|
| | | | | | M ³ /Min. | CFM | MM | INCH | | |
| M5010M | 5 | 3-6.0 | 60 | 4,000 | 0.18 | 6.36 | 1.77 | 0.07 | 24 | 20 |
| M5010H | 5 | 3-6.0 | 80 | 5,000 | 0.23 | 8.12 | 2.63 | 0.11 | 26 | 20 |
| M5010E | 5 | 3-6.0 | 150 | 6,000 | 0.28 | 9.89 | 3.60 | 0.14 | 28 | 20 |
| M5010M | 12 | 7-13.8 | 60 | 4,000 | 0.18 | 6.36 | 1.77 | 0.07 | 24 | 20 |
| M5010H | 12 | 7-13.8 | 70 | 5,000 | 0.23 | 8.12 | 2.63 | 0.11 | 26 | 20 |
| M5010E | 12 | 7-13.8 | 120 | 6,000 | 0.28 | 9.89 | 3.60 | 0.14 | 28 | 20 |