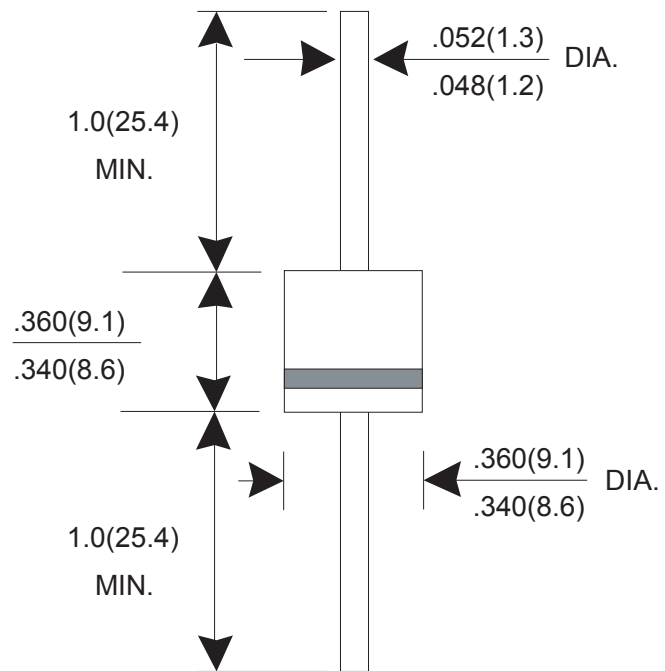
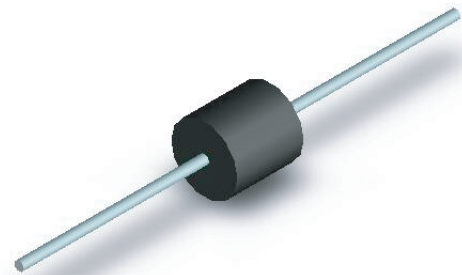


P600



*Dimensions in inches and (millimeters)