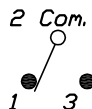


RECOMMENDED PCB LAYOUT

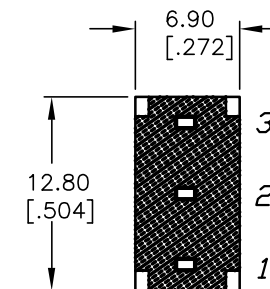
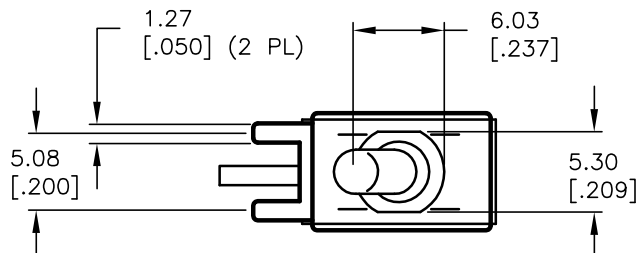


SPDT CIRCUIT CONTACT CONFIGURATION

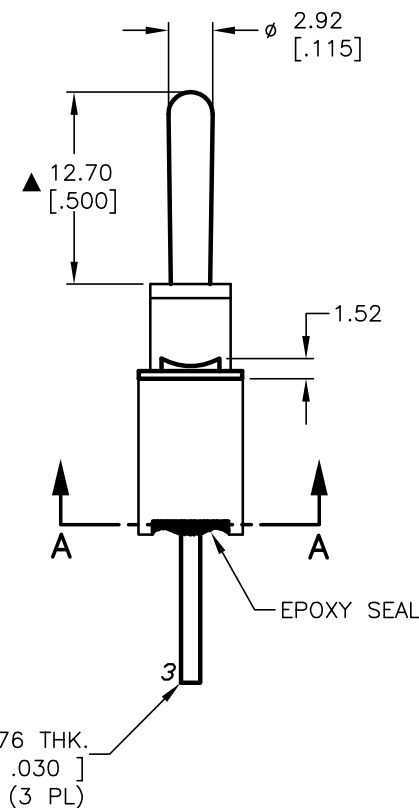
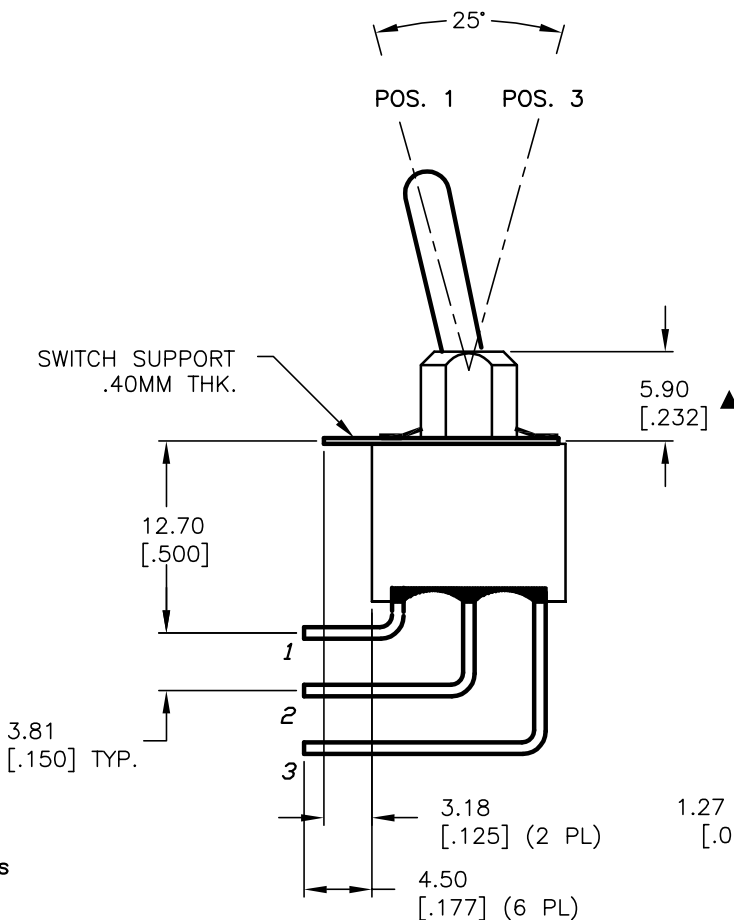
SWITCH FUNCTION		
POS. 1	POS. 2	POS. 3
ON	NONE	ON
2-3	OPEN	2-1

NOTES:

1. ALL DIMENSIONS IN MM [INCH]
2. GENERAL TOLERANCE: X.X=±0.4  
X.XX=±0.25
3. TERMINAL NUMBERS FOR REF ONLY
- ▲ 4. RATING: 2 AMPS @250VAC  
5 AMPS @120VAC OR 28VDC
5. FIXED TERM. & MOVING CONTACT: SILVER PLATE.
6. MECHANICAL LIFE: 30,000 make-and-break cycles at full load.
7. INSULATION RESISTANCE: 1,000 Mega-ohm min.
8. DIELECTRIC STRENGTH: 1,000 V RMS @sea level.
9. OPERATING TEMP.: -30°C to 85°C
10. ▲ DENOTES CRITICAL PARAMETER.



SECTION A-A



**E-SWITCH®**

TITLE

100AWSP1T1B4M7QE

A	14095	RELEASED FOR PRODUCTION	6/15/04	AR
REV.	ECN No.	DESCRIPTION	DATE	CHKD

THE INFORMATION CONTAINED IN THIS DOCUMENT IS PROPRIETARY TO E-SWITCH AND IS NOT TO BE COPIED OR TRANSFERRED

SCALE

2:1

DATE

6/15/04

DR

AR

DWG

T101009

REV

A